

# Welcome to the Nolato Jabar M83528 Interactive Product Guide


Request Quotes and Information for  
Conductive Particle-Filled Elastomers

# JABAR<sup>®</sup>

## Nolato Jabar M83528 Conductive Particle-Filled Elastomers

Silver Copper Silicone, 65 Duro | Silver Aluminum Silicone | Silver Copper Fluorosilicone | Silver Aluminum Fluorosilicone  
Pure Silver Silicone, 65 Duro | Pure Silver Fluorosilicone | Pure Silver Silicone, 80 Duro | Silver Copper Silicone, 85 Duro | Silver Nickel Silicone  
Silver Glass Silicone | Carbon Silicone | Nickel Graphite Silicone | Nickel Graphite Fluorosilicone

---

This is an interactive pdf that works similar to web pages.  
It can be easily navigated by hovering then clicking if the  icon appears.

---

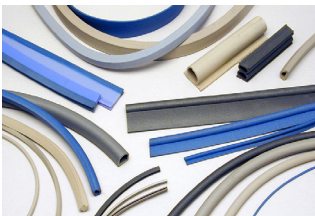


### Connector Gaskets



### Molded Parts

[O-Rings](#)  
[D-Rings](#)  
[Flat Washers](#)  
[Wave Guides](#)



### Extrusions

[Round](#) | [Hollow Round](#)  
[Solid Rectangle](#)  
[D Profile](#) | [Hollow D Profile](#)  
[P Profile](#)  
[U Profile](#)

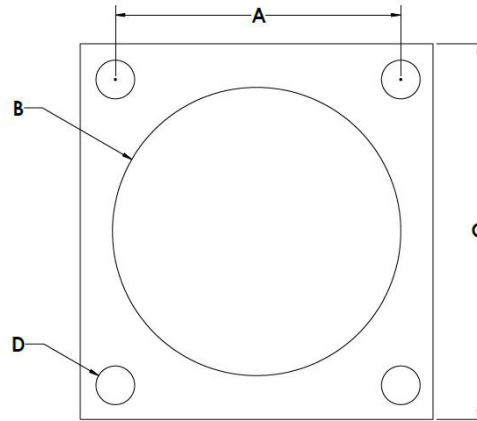


### Standard Sheet Stock



**GO TO CONNECTOR GASKET MATERIAL**

- [806A Silver Copper Silicone, 65 Duro](#)
- [805B Silver Aluminum Silicone](#)
- [816C Silver Copper Fluorosilicone](#)
- [815D Silver Aluminum Fluorosilicone](#)
- [808E Pure Silver Silicone, 65 Duro](#)
- [818F Pure Silver Fluorosilicone](#)
- [808H Pure Silver Silicone, 80 Duro](#)
- [806K Silver Copper Silicone, 85 Duro](#)
- [804L Silver Nickel Silicone](#)
- [803M Silver Glass Silicone](#)
- [801 Carbon Silicone](#)
- [802 Nickel Graphite Silicone](#)
- [812 Nickel Graphite Fluorosilicone](#)



RADIUS IF REQUIRED=(C-A)/2

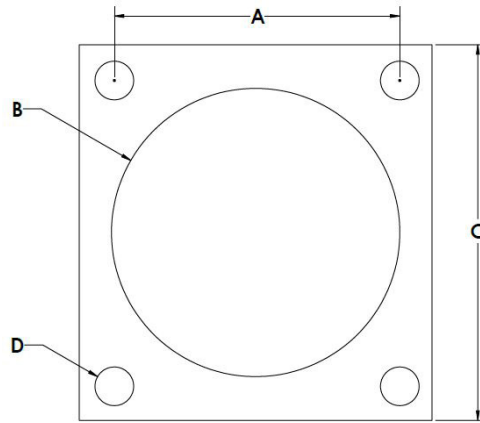
**Material 806A – Connector Gaskets** [Material 806A Data Sheet](#)

MIL SPEC No.	NJB Part No.	Dimension A (mm)	Dimension B (mm)	Dimension C (mm)	Dimension D (mm)	RFQ or Information
M83528/004A001	806A-0901	.469 (11.91)	.375 (9.53)	.738 (18.75)	.141 (3.58)	✉
M83528/004A002	806A-0908	.594 (15.09)	.630 (16.00)	.875 (21.34)	.135 (3.43)	✉
M83528/004A003	806A-0910	.594 (15.09)	.568 (14.43)	.812 (20.62)	.125 (3.18)	✉
M83528/004A004	806A-0911	.594 (15.09)	.500 (12.70)	.875 (22.23)	.156 (3.96)	✉
M83528/004A005	806A-0920	.719 (18.26)	.750 (19.05)	.965 (24.51)	.135 (3.43)	✉
M83528/004A006	806A-0917	.719 (18.26)	.680 (17.27)	.937 (23.80)	.125 (3.18)	✉
M83528/004A007	806A-0914	.719 (18.26)	.625 (15.88)	1.000 (25.40)	.156 (3.96)	✉
M83528/004A008	806A-0926	.812 (20.62)	.875 (22.23)	1.060 (26.92)	.141 (3.58)	✉
M83528/004A009	806A-0929	.813 (20.65)	.750 (19.05)	1.094 (27.79)	.141 (3.58)	✉
M83528/004A010	806A-0943	.906 (23.01)	1.005 (25.53)	1.153 (29.29)	.135 (3.43)	✉
M83528/004A011	806A-0939	.906 (23.01)	.938 (23.83)	1.125 (28.58)	.125 (3.18)	✉
M83528/004A012	806A-0933	.906 (23.01)	.875 (22.23)	1.188 (30.18)	.156 (3.96)	✉
M83528/004A013	806A-0955	.969 (24.61)	1.135 (28.83)	1.258 (31.95)	.156 (3.96)	✉
M83528/004A014	806A-0952	.969 (24.61)	1.063 (27.00)	1.250 (31.75)	.125 (3.18)	✉
M83528/004A015	806A-0949	.969 (24.61)	1.000 (25.40)	1.281 (32.54)	.156 (3.96)	✉
M83528/004A016	806A-0966	1.062 (26.97)	1.260 (32.00)	1.351 (34.32)	.156 (3.96)	✉
M83528/004A017	806A-0965	1.062 (26.97)	1.189 (30.20)	1.343 (34.11)	.125 (3.18)	✉

[page 1 of 2] [\[page 2 of 2\]](#)

**GO TO CONNECTOR GASKET MATERIAL**

- [806A Silver Copper Silicone, 65 Duro](#)
- [805B Silver Aluminum Silicone](#)
- [816C Silver Copper Fluorosilicone](#)
- [815D Silver Aluminum Fluorosilicone](#)
- [808E Pure Silver Silicone, 65 Duro](#)
- [818F Pure Silver Fluorosilicone](#)
- [808H Pure Silver Silicone, 80 Duro](#)
- [806K Silver Copper Silicone, 85 Duro](#)
- [804L Silver Nickel Silicone](#)
- [803M Silver Glass Silicone](#)
- [801 Carbon Silicone](#)
- [802 Nickel Graphite Silicone](#)
- [812 Nickel Graphite Fluorosilicone](#)



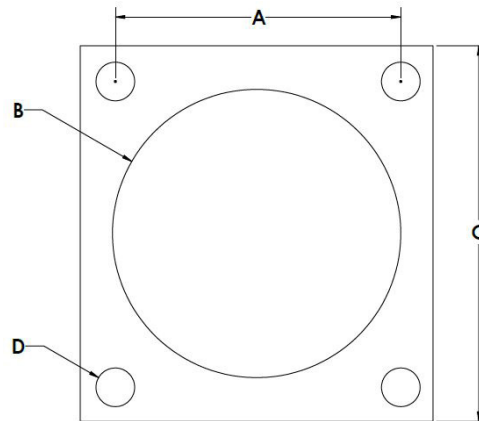
RADIUS IF REQUIRED=(C-A)/2

**Material 806A – Connector Gaskets** [Material 806A Data Sheet](#)

MIL SPEC No.	NJB Part No.	Dimension A (mm)	Dimension B (mm)	Dimension C (mm)	Dimension D (mm)	RFQ or Information
M83528/004A018	806A-0964	1.062 (26.97)	1.135 (28.83)	1.375 (34.93)	.156 (3.96)	✉
M83528/004A019	806A-0987	1.156 (29.36)	1.375 (34.93)	1.500 (38.10)	.141 (3.58)	✉
M83528/004A020	806A-0986	1.156 (29.36)	1.312 (33.32)	1.467 (37.26)	.125 (3.18)	✉
M83528/004A021	806A-0983	1.156 (29.36)	1.250 (31.75)	1.500 (38.10)	.172 (4.37)	✉
M83528/004A022	806A-2901	1.250 (31.75)	1.500 (38.10)	1.625(41.28)	.141 (3.58)	✉
M83528/004A023	806A-0999	1.250 (31.75)	1.437 (36.50)	1.562 (39.67)	.125 (3.18)	✉
M83528/004A024	806A-0995	1.250 (31.75)	1.375 (34.93)	1.625 (41.28)	.172 (4.37)	✉
M83528/004A025	806A-2918	1.375 (34.93)	1.625 (41.28)	1.750 (44.45)	.172 (4.37)	✉
M83528/004A026	806A-2917	1.375 (34.93)	1.562 (39.70)	1.703 (43.26)	.152 (3.86)	✉
M83528/004A027	806A-2912	1.375 (34.93)	1.500 (38.10)	1.750 (44.45)	.203 (5.16)	✉
M83528/004A028	806A-2927	1.500 (38.10)	1.750 (44.45)	1.875 (47.63)	.172 (4.37)	✉
M83528/004A029	806A-2928	1.563 (39.67)	1.750 (44.45)	2.000 (50.80)	.203 (5.16)	✉
M83528/004A030	806A-2938	1.750 (44.45)	2.000 (50.80)	2.250 (57.15)	.219 (5.56)	✉
M83528/004A031	806A-2944	1.938 (49.23)	2.250 (57.15)	2.500 (63.50)	.219 (5.56)	✉
M83528/004A032	806A-2951	2.188 (55.58)	2.500 (63.50)	2.750 (69.85)	.219 (5.56)	✉
M83528/004A033	806A-2956	2.375 (60.33)	2.781 (70.63)	3.000 (76.20)	.219 (5.56)	✉
M83528/004A034	806A-2961	2.625 (66.68)	3.031 (76.99)	3.250 (82.55)	.219 (5.56)	✉

**GO TO CONNECTOR GASKET MATERIAL**

- [806A Silver Copper Silicone, 65 Duro](#)
- [805B Silver Aluminum Silicone](#)
- [816C Silver Copper Fluorosilicone](#)
- [815D Silver Aluminum Fluorosilicone](#)
- [808E Pure Silver Silicone, 65 Duro](#)
- [818F Pure Silver Fluorosilicone](#)
- [808H Pure Silver Silicone, 80 Duro](#)
- [806K Silver Copper Silicone, 85 Duro](#)
- [804L Silver Nickel Silicone](#)
- [803M Silver Glass Silicone](#)
- [801 Carbon Silicone](#)
- [802 Nickel Graphite Silicone](#)
- [812 Nickel Graphite Fluorosilicone](#)



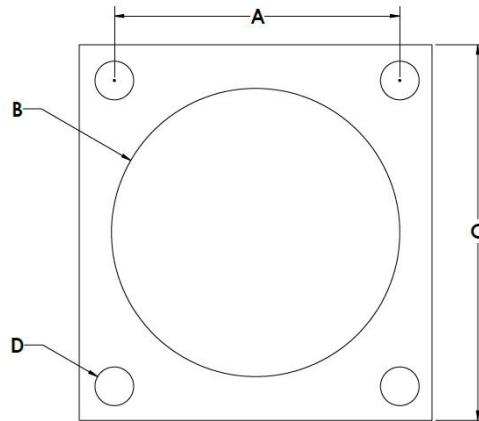
RADIUS IF REQUIRED=(C-A)/2

**Material 805B – Connector Gaskets** [Material 805B Data Sheet](#)


MIL SPEC No.	NJB Part No.	Dimension A (mm)	Dimension B (mm)	Dimension C (mm)	Dimension D (mm)	RFQ or Information
M83528/004B001	805-0901	.469 (11.91)	.375 (9.53)	.738 (18.75)	.141 (3.58)	☒
M83528/008B002	805-0908	.594 (15.09)	.630 (16.00)	.840 (21.34)	.135 (3.43)	☒
M83528/008B003	805-0910	.594 (15.09)	.568 (14.43)	.812 (20.62)	.125 (3.18)	☒
M83528/008B004	805-0911	.594 (15.09)	.500 (12.70)	.875 (22.23)	.156 (3.96)	☒
M83528/008B005	805-0920	.719 (18.26)	.750 (19.05)	.965 (24.51)	.135 (3.43)	☒
M83528/008B006	805-0917	.719 (18.26)	.680 (17.27)	.937 (23.80)	.125 (3.18)	☒
M83528/008B007	805-0914	.719 (18.26)	.625 (15.88)	1.000 (25.40)	.156 (3.96)	☒
M83528/004B008	805-0926	.812 (20.62)	.875 (22.23)	1.060 (26.92)	.141 (3.58)	☒
M83528/004B009	805-0929	.813 (20.65)	.750 (19.05)	1.094 (27.79)	.141 (3.58)	☒
M83528/004B010	805-0943	.906 (23.01)	1.005 (25.53)	1.153 (29.29)	.135 (3.43)	☒
M83528/004B011	805-0939	.906 (23.01)	.938 (23.83)	1.125 (28.58)	.125 (3.18)	☒
M83528/004B012	805-0933	.906 (23.01)	.875 (22.23)	1.188 (30.18)	.156 (3.96)	☒
M83528/004B013	805-0955	.969 (24.61)	1.135 (28.83)	1.258 (31.95)	.156 (3.96)	☒
M83528/004B014	805-0952	.969 (24.61)	1.063 (27.00)	1.250 (31.75)	.125 (3.18)	☒
M83528/004B015	805-0949	.969 (24.61)	1.000 (25.40)	1.281 (32.54)	.156 (3.96)	☒
M83528/004B016	805-0966	1.062 (26.97)	1.260 (32.00)	1.351 (34.32)	.156 (3.96)	☒
M83528/004B017	805-0965	1.062 (26.97)	1.189 (30.20)	1.343 (34.11)	.125 (3.18)	☒

**GO TO CONNECTOR GASKET MATERIAL**

- [806A Silver Copper Silicone, 65 Duro](#)
- [805B Silver Aluminum Silicone](#)**
- [816C Silver Copper Fluorosilicone](#)
- [815D Silver Aluminum Fluorosilicone](#)
- [808E Pure Silver Silicone, 65 Duro](#)
- [818F Pure Silver Fluorosilicone](#)
- [808H Pure Silver Silicone, 80 Duro](#)
- [806K Silver Copper Silicone, 85 Duro](#)
- [804L Silver Nickel Silicone](#)
- [803M Silver Glass Silicone](#)
- [801 Carbon Silicone](#)
- [802 Nickel Graphite Silicone](#)
- [812 Nickel Graphite Fluorosilicone](#)



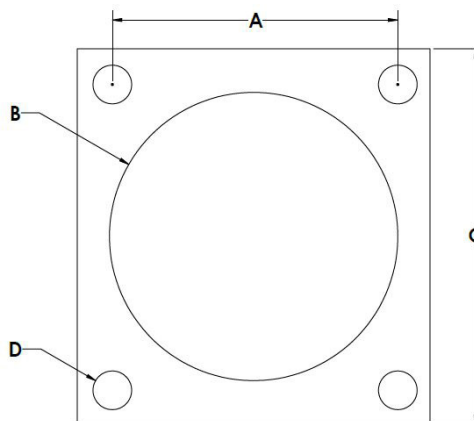
RADIUS IF REQUIRED=(C-A)/2

**Material 805B – Connector Gaskets**  **Material 805B Data Sheet**

MIL SPEC No.	NJB Part No.	Dimension A (mm)	Dimension B (mm)	Dimension C (mm)	Dimension D (mm)	RFQ or Information
M83528/004B018	805-0964	1.062 (26.97)	1.135 (28.83)	1.375 (34.93)	.156 (3.96)	<input type="checkbox"/>
M83528/004B019	805-0987	1.156 (29.36)	1.375 (34.93)	1.500 (38.10)	.141 (3.58)	<input type="checkbox"/>
M83528/004B020	805-0986	1.156 (29.36)	1.312 (33.32)	1.467 (37.26)	.125 (3.18)	<input type="checkbox"/>
M83528/004B021	805-0983	1.156 (29.36)	1.250 (31.75)	1.500 (38.10)	.172 (4.37)	<input type="checkbox"/>
M83528/004B022	805-2901	1.250 (31.75)	1.500 (38.10)	1.625(41.28)	.141 (3.58)	<input type="checkbox"/>
M83528/004B023	805-0999	1.250 (31.75)	1.437 (36.50)	1.562 (39.67)	.125 (3.18)	<input type="checkbox"/>
M83528/004B024	805-0995	1.250 (31.75)	1.375 (34.93)	1.625 (41.28)	.172 (4.37)	<input type="checkbox"/>
M83528/004B025	805-2918	1.375 (34.93)	1.625 (41.28)	1.750 (44.45)	.172 (4.37)	<input type="checkbox"/>
M83528/004B026	805-2917	1.375 (34.93)	1.562 (39.70)	1.703 (43.26)	.152 (3.86)	<input type="checkbox"/>
M83528/004B027	805-2912	1.375 (34.93)	1.500 (38.10)	1.750 (44.45)	.203 (5.16)	<input type="checkbox"/>
M83528/004B028	805-2927	1.500 (38.10)	1.750 (44.45)	1.875 (47.63)	.172 (4.37)	<input type="checkbox"/>
M83528/004B029	805-2928	1.563 (39.67)	1.750 (44.45)	2.000 (50.80)	.203 (5.16)	<input type="checkbox"/>
M83528/004B030	805-2938	1.750 (44.45)	2.000 (50.80)	2.250 (57.15)	.219 (5.56)	<input type="checkbox"/>
M83528/004B031	805-2944	1.938 (49.23)	2.250 (57.15)	2.500 (63.50)	.219 (5.56)	<input type="checkbox"/>
M83528/004B032	805-2951	2.188 (55.58)	2.500 (63.50)	2.750 (69.85)	.219 (5.56)	<input type="checkbox"/>
M83528/004B033	805-2956	2.375 (60.33)	2.781 (70.63)	3.000 (76.20)	.219 (5.56)	<input type="checkbox"/>
M83528/004B034	805-2961	2.625 (66.68)	3.031 (76.99)	3.250 (82.55)	.219 (5.56)	<input type="checkbox"/>

**GO TO CONNECTOR GASKET MATERIAL**

- [806A Silver Copper Silicone, 65 Duro](#)
- [805B Silver Aluminum Silicone](#)
- [816C Silver Copper Fluorosilicone](#)**
- [815D Silver Aluminum Fluorosilicone](#)
- [808E Pure Silver Silicone, 65 Duro](#)
- [818F Pure Silver Fluorosilicone](#)
- [808H Pure Silver Silicone, 80 Duro](#)
- [806K Silver Copper Silicone, 85 Duro](#)
- [804L Silver Nickel Silicone](#)
- [803M Silver Glass Silicone](#)
- [801 Carbon Silicone](#)
- [802 Nickel Graphite Silicone](#)
- [812 Nickel Graphite Fluorosilicone](#)



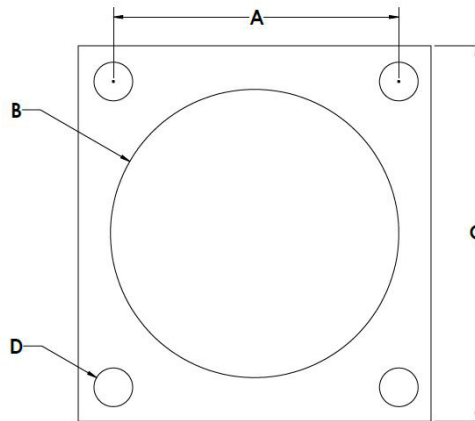
RADIUS IF REQUIRED=(C-A)/2

**Material 816C – Connector Gaskets** **Material 816C Data Sheet**

MIL SPEC No.	NJB Part No.	Dimension A (mm)	Dimension B (mm)	Dimension C (mm)	Dimension D (mm)	RFQ or Information
M83528/004C001	816-0901	.469 (11.91)	.375 (9.53)	.738 (18.75)	.141 (3.58)	<input type="checkbox"/>
M83528/008C002	816-0908	.594 (15.09)	.630 (16.00)	.840 (21.34)	.135 (3.43)	<input type="checkbox"/>
M83528/008C003	816-0910	.594 (15.09)	.568 (14.43)	.812 (20.62)	.125 (3.18)	<input type="checkbox"/>
M83528/008C004	816-0911	.594 (15.09)	.500 (12.70)	.875 (22.23)	.156 (3.96)	<input type="checkbox"/>
M83528/008C005	816-0920	.719 (18.26)	.750 (19.05)	.965 (24.51)	.135 (3.43)	<input type="checkbox"/>
M83528/008C006	816-0917	.719 (18.26)	.680 (17.27)	.937 (23.80)	.125 (3.18)	<input type="checkbox"/>
M83528/008C007	816-0914	.719 (18.26)	.625 (15.88)	1.000 (25.40)	.156 (3.96)	<input type="checkbox"/>
M83528/004C008	816-0926	.812 (20.62)	.875 (22.23)	1.060 (26.92)	.141 (3.58)	<input type="checkbox"/>
M83528/004C009	816-0929	.813 (20.65)	.750 (19.05)	1.094 (27.79)	.141 (3.58)	<input type="checkbox"/>
M83528/004C010	816-0943	.906 (23.01)	1.005 (25.53)	1.153 (29.29)	.135 (3.43)	<input type="checkbox"/>
M83528/004C011	816-0939	.906 (23.01)	.938 (23.83)	1.125 (28.58)	.125 (3.18)	<input type="checkbox"/>
M83528/004C012	816-0933	.906 (23.01)	.875 (22.23)	1.188 (30.18)	.156 (3.96)	<input type="checkbox"/>
M83528/004C013	816-0955	.969 (24.61)	1.135 (28.83)	1.258 (31.95)	.156 (3.96)	<input type="checkbox"/>
M83528/004C014	816-0952	.969 (24.61)	1.063 (27.00)	1.250 (31.75)	.125 (3.18)	<input type="checkbox"/>
M83528/004C015	816-0949	.969 (24.61)	1.000 (25.40)	1.281 (32.54)	.156 (3.96)	<input type="checkbox"/>
M83528/004B033	805-2956	1.062 (26.97)	1.260 (32.00)	1.351 (34.32)	.156 (3.96)	<input type="checkbox"/>
M83528/004B034	805-2961	1.062 (26.97)	1.189 (30.20)	1.343 (34.11)	.125 (3.18)	<input type="checkbox"/>

**GO TO CONNECTOR GASKET MATERIAL**

- [806A Silver Copper Silicone, 65 Duro](#)
- [805B Silver Aluminum Silicone](#)
- [816C Silver Copper Fluorosilicone](#)**
- [815D Silver Aluminum Fluorosilicone](#)
- [808E Pure Silver Silicone, 65 Duro](#)
- [818F Pure Silver Fluorosilicone](#)
- [808H Pure Silver Silicone, 80 Duro](#)
- [806K Silver Copper Silicone, 85 Duro](#)
- [804L Silver Nickel Silicone](#)
- [803M Silver Glass Silicone](#)
- [801 Carbon Silicone](#)
- [802 Nickel Graphite Silicone](#)
- [812 Nickel Graphite Fluorosilicone](#)



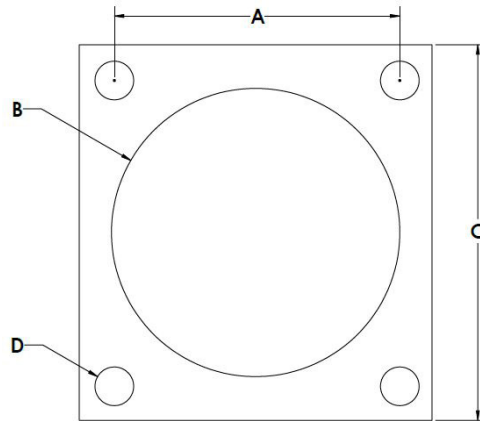
RADIUS IF REQUIRED=(C-A)/2

**Material 816C – Connector Gaskets**  **Material 816C Data Sheet**

MIL SPEC No.	NJB Part No.	Dimension A (mm)	Dimension B (mm)	Dimension C (mm)	Dimension D (mm)	RFQ or Information
M83528/004C018	816-0964	1.062 (26.97)	1.135 (28.83)	1.375 (34.93)	.156 (3.96)	
M83528/004C019	816-0987	1.156 (29.36)	1.375 (34.93)	1.500 (38.10)	.141 (3.58)	
M83528/004C020	816-0986	1.156 (29.36)	1.312 (33.32)	1.467 (37.26)	.125 (3.18)	
M83528/004C021	816-0983	1.156 (29.36)	1.250 (31.75)	1.500 (38.10)	.172 (4.37)	
M83528/004C022	816-2901	1.250 (31.75)	1.500 (38.10)	1.625(41.28)	.141 (3.58)	
M83528/004C023	816-0999	1.250 (31.75)	1.437 (36.50)	1.562 (39.67)	.125 (3.18)	
M83528/004C024	816-0995	1.250 (31.75)	1.375 (34.93)	1.625 (41.28)	.172 (4.37)	
M83528/004C025	816-2918	1.375 (34.93)	1.625 (41.28)	1.750 (44.45)	.172 (4.37)	
M83528/004C026	816-2917	1.375 (34.93)	1.562 (39.70)	1.703 (43.26)	.152 (3.86)	
M83528/004C027	816-2912	1.375 (34.93)	1.500 (38.10)	1.750 (44.45)	.203 (5.16)	
M83528/004C028	816-2927	1.500 (38.10)	1.750 (44.45)	1.875 (47.63)	.172 (4.37)	
M83528/004C029	816-2928	1.563 (39.67)	1.750 (44.45)	2.000 (50.80)	.203 (5.16)	
M83528/004C030	816-2938	1.750 (44.45)	2.000 (50.80)	2.250 (57.15)	.219 (5.56)	
M83528/004C031	816-2944	1.938 (49.23)	2.250 (57.15)	2.500 (63.50)	.219 (5.56)	
M83528/004C032	816-2951	2.188 (55.58)	2.500 (63.50)	2.750 (69.85)	.219 (5.56)	
M83528/004C033	816-2956	2.375 (60.33)	2.781 (70.63)	3.000 (76.20)	.219 (5.56)	
M83528/004C034	816-2961	2.625 (66.68)	3.031 (76.99)	3.250 (82.55)	.219 (5.56)	

**GO TO CONNECTOR GASKET MATERIAL**

- [806A Silver Copper Silicone, 65 Duro](#)
- [805B Silver Aluminum Silicone](#)
- [816C Silver Copper Fluorosilicone](#)
- [815D Silver Aluminum Fluorosilicone](#)**
- [808E Pure Silver Silicone, 65 Duro](#)
- [818F Pure Silver Fluorosilicone](#)
- [808H Pure Silver Silicone, 80 Duro](#)
- [806K Silver Copper Silicone, 85 Duro](#)
- [804L Silver Nickel Silicone](#)
- [803M Silver Glass Silicone](#)
- [801 Carbon Silicone](#)
- [802 Nickel Graphite Silicone](#)
- [812 Nickel Graphite Fluorosilicone](#)



RADIUS IF REQUIRED= $(C-A)/2$

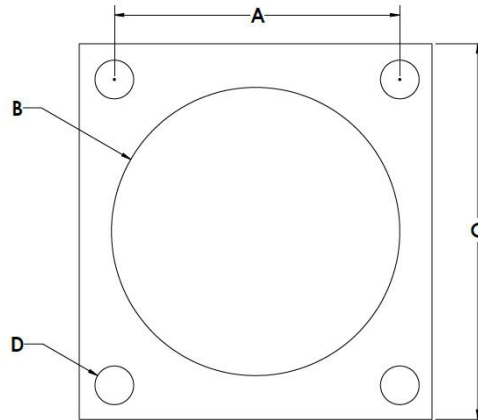
**Material 815D – Connector Gaskets** **Material 815D Data Sheet**

MIL SPEC No.	NJB Part No.	Dimension A (mm)	Dimension B (mm)	Dimension C (mm)	Dimension D (mm)	RFQ or Information
M83528/004D001	815-0901	.469 (11.91)	.375 (9.53)	.738 (18.75)	.141 (3.58)	
M83528/008D002	815-0908	.594 (15.09)	.630 (16.00)	.840 (21.34)	.135 (3.43)	
M83528/008D003	815-0910	.594 (15.09)	.568 (14.43)	.812 (20.62)	.125 (3.18)	
M83528/008D004	815-0911	.594 (15.09)	.500 (12.70)	.875 (22.23)	.156 (3.96)	
M83528/008D005	815-0920	.719 (18.26)	.750 (19.05)	.965 (24.51)	.135 (3.43)	
M83528/008D006	815-0917	.719 (18.26)	.680 (17.27)	.937 (23.80)	.125 (3.18)	
M83528/008D007	815-0914	.719 (18.26)	.625 (15.88)	1.000 (25.40)	.156 (3.96)	
M83528/004D008	815-0926	.812 (20.62)	.875 (22.23)	1.060 (26.92)	.141 (3.58)	
M83528/004D009	815-0929	.813 (20.65)	.750 (19.05)	1.094 (27.79)	.141 (3.58)	
M83528/004D010	815-0943	.906 (23.01)	1.005 (25.53)	1.153 (29.29)	.135 (3.43)	
M83528/004D011	815-0939	.906 (23.01)	.938 (23.83)	1.125 (28.58)	.125 (3.18)	
M83528/004D012	815-0933	.906 (23.01)	.875 (22.23)	1.188 (30.18)	.156 (3.96)	
M83528/004D013	815-0955	.969 (24.61)	1.135 (28.83)	1.258 (31.95)	.156 (3.96)	
M83528/004D014	815-0952	.969 (24.61)	1.063 (27.00)	1.250 (31.75)	.125 (3.18)	
M83528/004D015	815-0949	.969 (24.61)	1.000 (25.40)	1.281 (32.54)	.156 (3.96)	
M83528/004D016	815-0966	1.062 (26.97)	1.260 (32.00)	1.351 (34.32)	.156 (3.96)	
M83528/004D017	815-0965	1.062 (26.97)	1.189 (30.20)	1.343 (34.11)	.125 (3.18)	



**GO TO CONNECTOR GASKET MATERIAL**

- [806A Silver Copper Silicone, 65 Duro](#)
- [805B Silver Aluminum Silicone](#)
- [816C Silver Copper Fluorosilicone](#)
- [815D Silver Aluminum Fluorosilicone](#)**
- [808E Pure Silver Silicone, 65 Duro](#)
- [818F Pure Silver Fluorosilicone](#)
- [808H Pure Silver Silicone, 80 Duro](#)
- [806K Silver Copper Silicone, 85 Duro](#)
- [804L Silver Nickel Silicone](#)
- [803M Silver Glass Silicone](#)
- [801 Carbon Silicone](#)
- [802 Nickel Graphite Silicone](#)
- [812 Nickel Graphite Fluorosilicone](#)



RADIUS IF REQUIRED=(C-A)/2

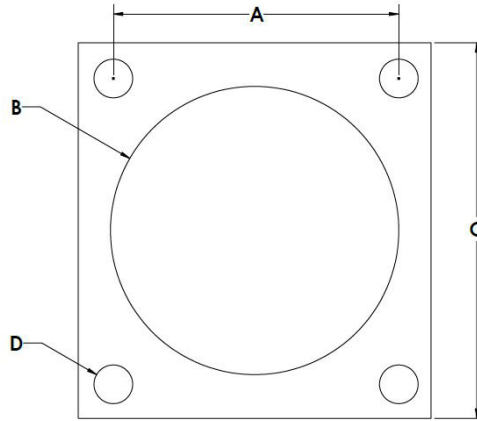
**Material 815D – Connector Gaskets**

[Material 815D Data Sheet](#)

MIL SPEC No.	NJB Part No.	Dimension A (mm)	Dimension B (mm)	Dimension C (mm)	Dimension D (mm)	RFQ or Information
M83528/004D018	815-0964	1.062 (26.97)	1.135 (28.83)	1.375 (34.93)	.156 (3.96)	☒
M83528/004D019	815-0987	1.156 (29.36)	1.375 (34.93)	1.500 (38.10)	.141 (3.58)	☒
M83528/004D020	815-0986	1.156 (29.36)	1.312 (33.32)	1.467 (37.26)	.125 (3.18)	☒
M83528/004D021	815-0983	1.156 (29.36)	1.250 (31.75)	1.500 (38.10)	.172 (4.37)	☒
M83528/004D022	815-2901	1.250 (31.75)	1.500 (38.10)	1.625(41.28)	.141 (3.58)	☒
M83528/004D023	815-0999	1.250 (31.75)	1.437 (36.50)	1.562 (39.67)	.125 (3.18)	☒
M83528/004D024	815-0995	1.250 (31.75)	1.375 (34.93)	1.625 (41.28)	.172 (4.37)	☒
M83528/004D025	815-2918	1.375 (34.93)	1.625 (41.28)	1.750 (44.45)	.172 (4.37)	☒
M83528/004D026	815-2917	1.375 (34.93)	1.562 (39.70)	1.703 (43.26)	.152 (3.86)	☒
M83528/004D027	815-2912	1.375 (34.93)	1.500 (38.10)	1.750 (44.45)	.203 (5.16)	☒
M83528/004D028	815-2927	1.500 (38.10)	1.750 (44.45)	1.875 (47.63)	.172 (4.37)	☒
M83528/004D029	815-2928	1.563 (39.67)	1.750 (44.45)	2.000 (50.80)	.203 (5.16)	☒
M83528/004D030	815-2938	1.750 (44.45)	2.000 (50.80)	2.250 (57.15)	.219 (5.56)	☒
M83528/004D031	815-2944	1.938 (49.23)	2.250 (57.15)	2.500 (63.50)	.219 (5.56)	☒
M83528/004D032	815-2951	2.188 (55.58)	2.500 (63.50)	2.750 (69.85)	.219 (5.56)	☒
M83528/004D033	815-2956	2.375 (60.33)	2.781 (70.63)	3.000 (76.20)	.219 (5.56)	☒
M83528/004D034	815-2961	2.625 (66.68)	3.031 (76.99)	3.250 (82.55)	.219 (5.56)	☒

**GO TO CONNECTOR GASKET MATERIAL**

- [806A Silver Copper Silicone, 65 Duro](#)
- [805B Silver Aluminum Silicone](#)
- [816C Silver Copper Fluorosilicone](#)
- [815D Silver Aluminum Fluorosilicone](#)
- [808E Pure Silver Silicone, 65 Duro](#)**
- [818F Pure Silver Fluorosilicone](#)
- [808H Pure Silver Silicone, 80 Duro](#)
- [806K Silver Copper Silicone, 85 Duro](#)
- [804L Silver Nickel Silicone](#)
- [803M Silver Glass Silicone](#)
- [801 Carbon Silicone](#)
- [802 Nickel Graphite Silicone](#)
- [812 Nickel Graphite Fluorosilicone](#)



RADIUS IF REQUIRED=(C-A)/2

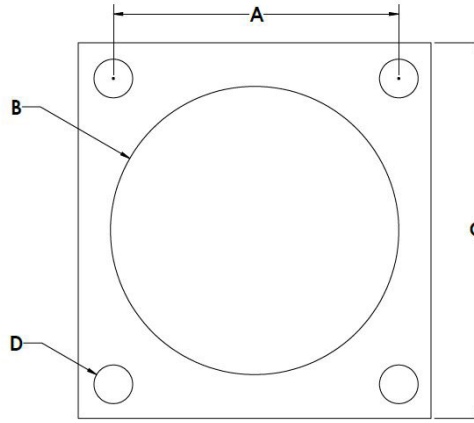
**Material 808E – Connector Gaskets**

**Material 808E Data Sheet**

MIL SPEC No.	NJB Part No.	Dimension A (mm)	Dimension B (mm)	Dimension C (mm)	Dimension D (mm)	RFQ or Information
M83528/004E001	808E-0901	.469 (11.91)	.375 (9.53)	.738 (18.75)	.141 (3.58)	
M83528/008E002	808E-0908	.594 (15.09)	.630 (16.00)	.840 (21.34)	.135 (3.43)	
M83528/008E003	808E-0910	.594 (15.09)	.568 (14.43)	.812 (20.62)	.125 (3.18)	
M83528/008E004	808E-0911	.594 (15.09)	.500 (12.70)	.875 (22.23)	.156 (3.96)	
M83528/008E005	808E-0920	.719 (18.26)	.750 (19.05)	.965 (24.51)	.135 (3.43)	
M83528/008E006	808E-0917	.719 (18.26)	.680 (17.27)	.937 (23.80)	.125 (3.18)	
M83528/008E007	808E-0914	.719 (18.26)	.625 (15.88)	1.000 (25.40)	.156 (3.96)	
M83528/004E008	808E-0926	.812 (20.62)	.875 (22.23)	1.060 (26.92)	.141 (3.58)	
M83528/004E009	808E-0929	.813 (20.65)	.750 (19.05)	1.094 (27.79)	.141 (3.58)	
M83528/004E010	808E-0943	.906 (23.01)	1.005 (25.53)	1.153 (29.29)	.135 (3.43)	
M83528/004E011	808E-0939	.906 (23.01)	.938 (23.83)	1.125 (28.58)	.125 (3.18)	
M83528/004E012	808E-0933	.906 (23.01)	.875 (22.23)	1.188 (30.18)	.156 (3.96)	
M83528/004E013	808E-0955	.969 (24.61)	1.135 (28.83)	1.258 (31.95)	.156 (3.96)	
M83528/004E014	808E-0952	.969 (24.61)	1.063 (27.00)	1.250 (31.75)	.125 (3.18)	
M83528/004E015	808E-0949	.969 (24.61)	1.000 (25.40)	1.281 (32.54)	.156 (3.96)	
M83528/004E016	808E-0966	1.062 (26.97)	1.260 (32.00)	1.351 (34.32)	.156 (3.96)	
M83528/004E017	808E-0965	1.062 (26.97)	1.189 (30.20)	1.343 (34.11)	.125 (3.18)	

**GO TO CONNECTOR GASKET MATERIAL**

- [806A Silver Copper Silicone, 65 Duro](#)
- [805B Silver Aluminum Silicone](#)
- [816C Silver Copper Fluorosilicone](#)
- [815D Silver Aluminum Fluorosilicone](#)
- [808E Pure Silver Silicone, 65 Duro](#)**
- [818F Pure Silver Fluorosilicone](#)
- [808H Pure Silver Silicone, 80 Duro](#)
- [806K Silver Copper Silicone, 85 Duro](#)
- [804L Silver Nickel Silicone](#)
- [803M Silver Glass Silicone](#)
- [801 Carbon Silicone](#)
- [802 Nickel Graphite Silicone](#)
- [812 Nickel Graphite Fluorosilicone](#)



RADIUS IF REQUIRED=(C-A)/2

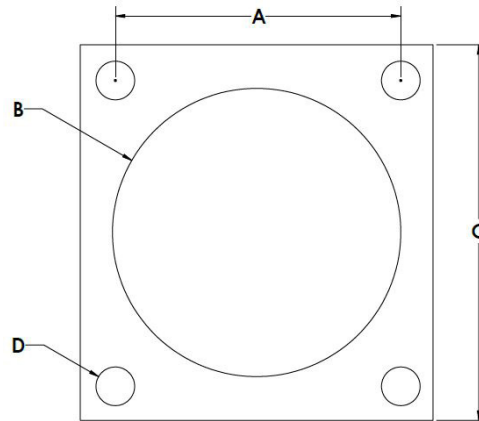
**Material 808E – Connector Gaskets**

[Material 808E Data Sheet](#)

MIL SPEC No.	NJB Part No.	Dimension A (mm)	Dimension B (mm)	Dimension C (mm)	Dimension D (mm)	RFQ or Information
M83528/004E018	808E-0964	1.062 (26.97)	1.135 (28.83)	1.375 (34.93)	.156 (3.96)	
M83528/004E019	808E-0987	1.156 (29.36)	1.375 (34.93)	1.500 (38.10)	.141 (3.58)	
M83528/004E020	808E-0986	1.156 (29.36)	1.312 (33.32)	1.467 (37.26)	.125 (3.18)	
M83528/004E021	808E-0983	1.156 (29.36)	1.250 (31.75)	1.500 (38.10)	.172 (4.37)	
M83528/004E022	808E-2901	1.250 (31.75)	1.500 (38.10)	1.625(41.28)	.141 (3.58)	
M83528/004E023	808E-0999	1.250 (31.75)	1.437 (36.50)	1.562 (39.67)	.125 (3.18)	
M83528/004E024	808E-0995	1.250 (31.75)	1.375 (34.93)	1.625 (41.28)	.172 (4.37)	
M83528/004E025	808E-2918	1.375 (34.93)	1.625 (41.28)	1.750 (44.45)	.172 (4.37)	
M83528/004E026	808E-2917	1.375 (34.93)	1.562 (39.70)	1.703 (43.26)	.152 (3.86)	
M83528/004E027	808E-2912	1.375 (34.93)	1.500 (38.10)	1.750 (44.45)	.203 (5.16)	
M83528/004E028	808E-2927	1.500 (38.10)	1.750 (44.45)	1.875 (47.63)	.172 (4.37)	
M83528/004E029	808E-2928	1.563 (39.67)	1.750 (44.45)	2.000 (50.80)	.203 (5.16)	
M83528/004E030	808E-2938	1.750 (44.45)	2.000 (50.80)	2.250 (57.15)	.219 (5.56)	
M83528/004E031	808E-2944	1.938 (49.23)	2.250 (57.15)	2.500 (63.50)	.219 (5.56)	
M83528/004E032	808E-2951	2.188 (55.58)	2.500 (63.50)	2.750 (69.85)	.219 (5.56)	
M83528/004E033	808E-2956	2.375 (60.33)	2.781 (70.63)	3.000 (76.20)	.219 (5.56)	
M83528/004E034	808E-2961	2.625 (66.68)	3.031 (76.99)	3.250 (82.55)	.219 (5.56)	

**GO TO CONNECTOR GASKET MATERIAL**

- [806A Silver Copper Silicone, 65 Duro](#)
- [805B Silver Aluminum Silicone](#)
- [816C Silver Copper Fluorosilicone](#)
- [815D Silver Aluminum Fluorosilicone](#)
- [808E Pure Silver Silicone, 65 Duro](#)
- [818F Pure Silver Fluorosilicone](#)**
- [808H Pure Silver Silicone, 80 Duro](#)
- [806K Silver Copper Silicone, 85 Duro](#)
- [804L Silver Nickel Silicone](#)
- [803M Silver Glass Silicone](#)
- [801 Carbon Silicone](#)
- [802 Nickel Graphite Silicone](#)
- [812 Nickel Graphite Fluorosilicone](#)



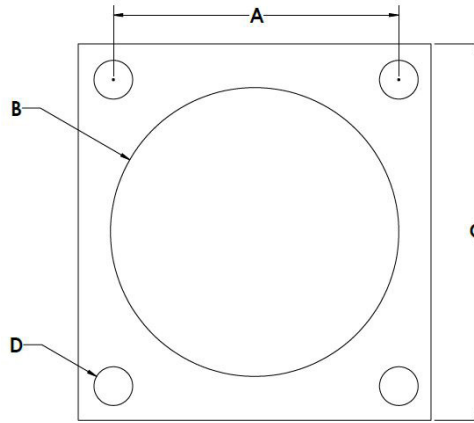
RADIUS IF REQUIRED=(C-A)/2

**Material 818F – Connector Gaskets** [Material 818F Data Sheet](#)

MIL SPEC No.	NJB Part No.	Dimension A (mm)	Dimension B (mm)	Dimension C (mm)	Dimension D (mm)	RFQ or Information
M83528/004F001	818-0901	.469 (11.91)	.375 (9.53)	.738 (18.75)	.141 (3.58)	✉
M83528/008F002	818-0908	.594 (15.09)	.630 (16.00)	.840 (21.34)	.135 (3.43)	✉
M83528/008F003	818-0910	.594 (15.09)	.568 (14.43)	.812 (20.62)	.125 (3.18)	✉
M83528/008F004	818-0911	.594 (15.09)	.500 (12.70)	.875 (22.23)	.156 (3.96)	✉
M83528/008F005	818-0920	.719 (18.26)	.750 (19.05)	.965 (24.51)	.135 (3.43)	✉
M83528/008F006	818-0917	.719 (18.26)	.680 (17.27)	.937 (23.80)	.125 (3.18)	✉
M83528/008F007	818-0914	.719 (18.26)	.625 (15.88)	1.000 (25.40)	.156 (3.96)	✉
M83528/004F008	818-0926	.812 (20.62)	.875 (22.23)	1.060 (26.92)	.141 (3.58)	✉
M83528/004F009	818-0929	.813 (20.65)	.750 (19.05)	1.094 (27.79)	.141 (3.58)	✉
M83528/004F010	818-0943	.906 (23.01)	1.005 (25.53)	1.153 (29.29)	.135 (3.43)	✉
M83528/004F011	818-0939	.906 (23.01)	.938 (23.83)	1.125 (28.58)	.125 (3.18)	✉
M83528/004F012	818-0933	.906 (23.01)	.875 (22.23)	1.188 (30.18)	.156 (3.96)	✉
M83528/004F013	818-0955	.969 (24.61)	1.135 (28.83)	1.258 (31.95)	.156 (3.96)	✉
M83528/004F014	818-0952	.969 (24.61)	1.063 (27.00)	1.250 (31.75)	.125 (3.18)	✉
M83528/004F015	818-0949	.969 (24.61)	1.000 (25.40)	1.281 (32.54)	.156 (3.96)	✉
M83528/004F016	818-0966	1.062 (26.97)	1.260 (32.00)	1.351 (34.32)	.156 (3.96)	✉
M83528/004F017	818-0965	1.062 (26.97)	1.189 (30.20)	1.343 (34.11)	.125 (3.18)	✉

**GO TO CONNECTOR GASKET MATERIAL**

- [806A Silver Copper Silicone, 65 Duro](#)
- [805B Silver Aluminum Silicone](#)
- [816C Silver Copper Fluorosilicone](#)
- [815D Silver Aluminum Fluorosilicone](#)
- [808E Pure Silver Silicone, 65 Duro](#)
- [818F Pure Silver Fluorosilicone](#)**
- [808H Pure Silver Silicone, 80 Duro](#)
- [806K Silver Copper Silicone, 85 Duro](#)
- [804L Silver Nickel Silicone](#)
- [803M Silver Glass Silicone](#)
- [801 Carbon Silicone](#)
- [802 Nickel Graphite Silicone](#)
- [812 Nickel Graphite Fluorosilicone](#)



RADIUS IF REQUIRED=(C-A)/2

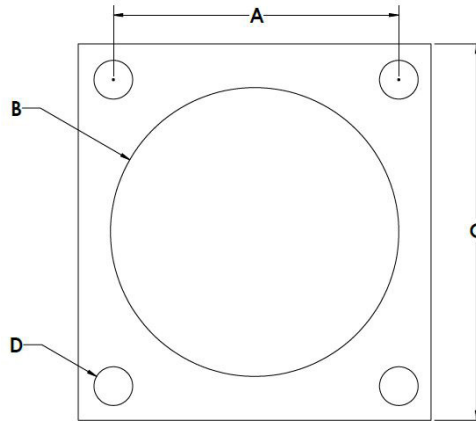
**Material 818F – Connector Gaskets**

[Material 818F Data Sheet](#)

MIL SPEC No.	NJB Part No.	Dimension A (mm)	Dimension B (mm)	Dimension C (mm)	Dimension D (mm)	RFQ or Information
M83528/004F018	818-0964	1.062 (26.97)	1.135 (28.83)	1.375 (34.93)	.156 (3.96)	<input type="checkbox"/>
M83528/004F019	818-0987	1.156 (29.36)	1.375 (34.93)	1.500 (38.10)	.141 (3.58)	<input type="checkbox"/>
M83528/004F020	818-0986	1.156 (29.36)	1.312 (33.32)	1.467 (37.26)	.125 (3.18)	<input type="checkbox"/>
M83528/004F021	818-0983	1.156 (29.36)	1.250 (31.75)	1.500 (38.10)	.172 (4.37)	<input type="checkbox"/>
M83528/004F022	818-2901	1.250 (31.75)	1.500 (38.10)	1.625(41.28)	.141 (3.58)	<input type="checkbox"/>
M83528/004F023	818-0999	1.250 (31.75)	1.437 (36.50)	1.562 (39.67)	.125 (3.18)	<input type="checkbox"/>
M83528/004F024	818-0995	1.250 (31.75)	1.375 (34.93)	1.625 (41.28)	.172 (4.37)	<input type="checkbox"/>
M83528/004F025	818-2918	1.375 (34.93)	1.625 (41.28)	1.750 (44.45)	.172 (4.37)	<input type="checkbox"/>
M83528/004F026	818-2917	1.375 (34.93)	1.562 (39.70)	1.703 (43.26)	.152 (3.86)	<input type="checkbox"/>
M83528/004F027	818-2912	1.375 (34.93)	1.500 (38.10)	1.750 (44.45)	.203 (5.16)	<input type="checkbox"/>
M83528/004F028	818-2927	1.500 (38.10)	1.750 (44.45)	1.875 (47.63)	.172 (4.37)	<input type="checkbox"/>
M83528/004F029	818-2928	1.563 (39.67)	1.750 (44.45)	2.000 (50.80)	.203 (5.16)	<input type="checkbox"/>
M83528/004F030	818-2938	1.750 (44.45)	2.000 (50.80)	2.250 (57.15)	.219 (5.56)	<input type="checkbox"/>
M83528/004F031	818-2944	1.938 (49.23)	2.250 (57.15)	2.500 (63.50)	.219 (5.56)	<input type="checkbox"/>
M83528/004F032	818-2951	2.188 (55.58)	2.500 (63.50)	2.750 (69.85)	.219 (5.56)	<input type="checkbox"/>
M83528/004F033	818-2956	2.375 (60.33)	2.781 (70.63)	3.000 (76.20)	.219 (5.56)	<input type="checkbox"/>
M83528/004F034	818-2961	2.625 (66.68)	3.031 (76.99)	3.250 (82.55)	.219 (5.56)	<input type="checkbox"/>

**GO TO CONNECTOR GASKET MATERIAL**

- [806A Silver Copper Silicone, 65 Duro](#)
- [805B Silver Aluminum Silicone](#)
- [816C Silver Copper Fluorosilicone](#)
- [815D Silver Aluminum Fluorosilicone](#)
- [808E Pure Silver Silicone, 65 Duro](#)
- [818F Pure Silver Fluorosilicone](#)
- [808H Pure Silver Silicone, 80 Duro](#)**
- [806K Silver Copper Silicone, 85 Duro](#)
- [804L Silver Nickel Silicone](#)
- [803M Silver Glass Silicone](#)
- [801 Carbon Silicone](#)
- [802 Nickel Graphite Silicone](#)
- [812 Nickel Graphite Fluorosilicone](#)



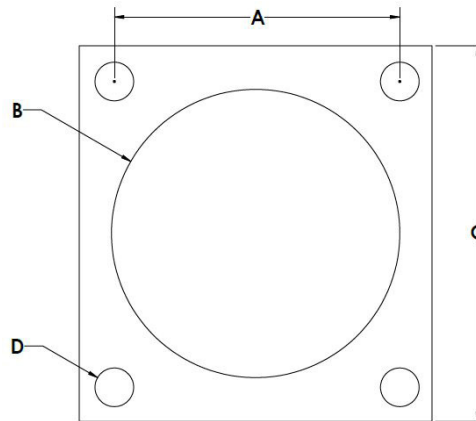
RADIUS IF REQUIRED=(C-A)/2

**Material 808H – Connector Gaskets** [Material 808H Data Sheet](#)

MIL SPEC No.	NJB Part No.	Dimension A (mm)	Dimension B (mm)	Dimension C (mm)	Dimension D (mm)	RFQ or Information
M83528/004H001	808H-0901	.469 (11.91)	.375 (9.53)	.738 (18.75)	.141 (3.58)	✉
M83528/008H002	808H-0908	.594 (15.09)	.630 (16.00)	.840 (21.34)	.135 (3.43)	✉
M83528/008H003	808H-0910	.594 (15.09)	.568 (14.43)	.812 (20.62)	.125 (3.18)	✉
M83528/008H004	808H-0911	.594 (15.09)	.500 (12.70)	.875 (22.23)	.156 (3.96)	✉
M83528/008H005	808H-0920	.719 (18.26)	.750 (19.05)	.965 (24.51)	.135 (3.43)	✉
M83528/008H006	808H-0917	.719 (18.26)	.680 (17.27)	.937 (23.80)	.125 (3.18)	✉
M83528/008H007	808H-0914	.719 (18.26)	.625 (15.88)	1.000 (25.40)	.156 (3.96)	✉
M83528/004H008	808H-0926	.812 (20.62)	.875 (22.23)	1.060 (26.92)	.141 (3.58)	✉
M83528/004H009	808H-0929	.813 (20.65)	.750 (19.05)	1.094 (27.79)	.141 (3.58)	✉
M83528/004H010	808H-0943	.906 (23.01)	1.005 (25.53)	1.153 (29.29)	.135 (3.43)	✉
M83528/004H011	808H-0939	.906 (23.01)	.938 (23.83)	1.125 (28.58)	.125 (3.18)	✉
M83528/004H012	808H-0933	.906 (23.01)	.875 (22.23)	1.188 (30.18)	.156 (3.96)	✉
M83528/004H013	808H-0955	.969 (24.61)	1.135 (28.83)	1.258 (31.95)	.156 (3.96)	✉
M83528/004H014	808H-0952	.969 (24.61)	1.063 (27.00)	1.250 (31.75)	.125 (3.18)	✉
M83528/004H015	808H-0949	.969 (24.61)	1.000 (25.40)	1.281 (32.54)	.156 (3.96)	✉
M83528/004H016	808H-0966	1.062 (26.97)	1.260 (32.00)	1.351 (34.32)	.156 (3.96)	✉
M83528/004H017	808H-0965	1.062 (26.97)	1.189 (30.20)	1.343 (34.11)	.125 (3.18)	✉

**GO TO CONNECTOR GASKET MATERIAL**

- [806A Silver Copper Silicone, 65 Duro](#)
- [805B Silver Aluminum Silicone](#)
- [816C Silver Copper Fluorosilicone](#)
- [815D Silver Aluminum Fluorosilicone](#)
- [808E Pure Silver Silicone, 65 Duro](#)
- [818F Pure Silver Fluorosilicone](#)
- [808H Pure Silver Silicone, 80 Duro](#)**
- [806K Silver Copper Silicone, 85 Duro](#)
- [804L Silver Nickel Silicone](#)
- [803M Silver Glass Silicone](#)
- [801 Carbon Silicone](#)
- [802 Nickel Graphite Silicone](#)
- [812 Nickel Graphite Fluorosilicone](#)



RADIUS IF REQUIRED=(C-A)/2

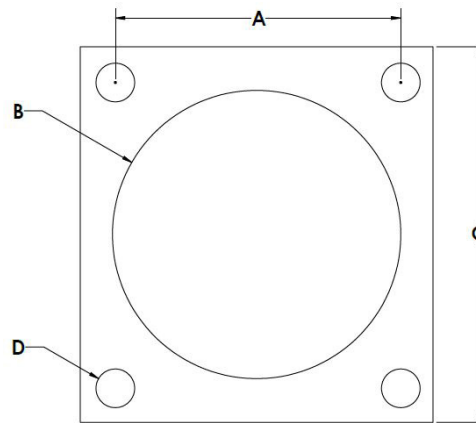
**Material 808H – Connector Gaskets**

[Material 808H Data Sheet](#)

MIL SPEC No.	NJB Part No.	Dimension A (mm)	Dimension B (mm)	Dimension C (mm)	Dimension D (mm)	RFQ or Information
M83528/004H018	808H-0964	1.062 (26.97)	1.135 (28.83)	1.375 (34.93)	.156 (3.96)	<input type="checkbox"/>
M83528/004H019	808H-0987	1.156 (29.36)	1.375 (34.93)	1.500 (38.10)	.141 (3.58)	<input type="checkbox"/>
M83528/004H020	808H-0986	1.156 (29.36)	1.312 (33.32)	1.467 (37.26)	.125 (3.18)	<input type="checkbox"/>
M83528/004H021	808H-0983	1.156 (29.36)	1.250 (31.75)	1.500 (38.10)	.172 (4.37)	<input type="checkbox"/>
M83528/004H022	808H-2901	1.250 (31.75)	1.500 (38.10)	1.625(41.28)	.141 (3.58)	<input type="checkbox"/>
M83528/004H023	808H-0999	1.250 (31.75)	1.437 (36.50)	1.562 (39.67)	.125 (3.18)	<input type="checkbox"/>
M83528/004H024	808H-0995	1.250 (31.75)	1.375 (34.93)	1.625 (41.28)	.172 (4.37)	<input type="checkbox"/>
M83528/004H025	808H-2918	1.375 (34.93)	1.625 (41.28)	1.750 (44.45)	.172 (4.37)	<input type="checkbox"/>
M83528/004H026	808H-2917	1.375 (34.93)	1.562 (39.70)	1.703 (43.26)	.152 (3.86)	<input type="checkbox"/>
M83528/004H027	808H-2912	1.375 (34.93)	1.500 (38.10)	1.750 (44.45)	.203 (5.16)	<input type="checkbox"/>
M83528/004H028	808H-2927	1.500 (38.10)	1.750 (44.45)	1.875 (47.63)	.172 (4.37)	<input type="checkbox"/>
M83528/004H029	808H-2928	1.563 (39.67)	1.750 (44.45)	2.000 (50.80)	.203 (5.16)	<input type="checkbox"/>
M83528/004H030	808H-2938	1.750 (44.45)	2.000 (50.80)	2.250 (57.15)	.219 (5.56)	<input type="checkbox"/>
M83528/004H031	808H-2944	1.938 (49.23)	2.250 (57.15)	2.500 (63.50)	.219 (5.56)	<input type="checkbox"/>
M83528/004H032	808H-2951	2.188 (55.58)	2.500 (63.50)	2.750 (69.85)	.219 (5.56)	<input type="checkbox"/>
M83528/004H033	808H-2956	2.375 (60.33)	2.781 (70.63)	3.000 (76.20)	.219 (5.56)	<input type="checkbox"/>
M83528/004H034	808H-2961	2.625 (66.68)	3.031 (76.99)	3.250 (82.55)	.219 (5.56)	<input type="checkbox"/>

### GO TO CONNECTOR GASKET MATERIAL

- [806A Silver Copper Silicone, 65 Duro](#)
- [805B Silver Aluminum Silicone](#)
- [816C Silver Copper Fluorosilicone](#)
- [815D Silver Aluminum Fluorosilicone](#)
- [808E Pure Silver Silicone, 65 Duro](#)
- [818F Pure Silver Fluorosilicone](#)
- [808H Pure Silver Silicone, 80 Duro](#)
- [806K Silver Copper Silicone, 85 Duro](#)**
- [804L Silver Nickel Silicone](#)
- [803M Silver Glass Silicone](#)
- [801 Carbon Silicone](#)
- [802 Nickel Graphite Silicone](#)
- [812 Nickel Graphite Fluorosilicone](#)



RADIUS IF REQUIRED=(C-A)/2

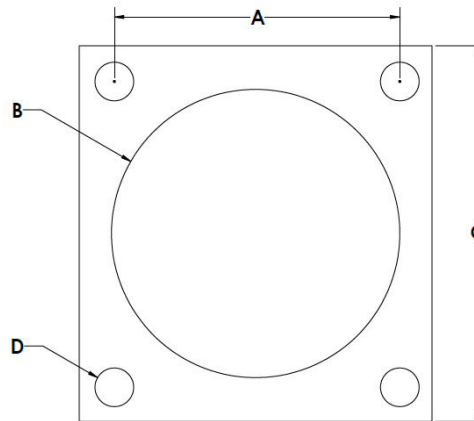
### Material 806K – Connector Gaskets [Material 806K Data Sheet](#)

MIL SPEC No.	NJB Part No.	Dimension A (mm)	Dimension B (mm)	Dimension C (mm)	Dimension D (mm)	RFQ or Information
M83528/004K001	806K-0901	.469 (11.91)	.375 (9.53)	.738 (18.75)	.141 (3.58)	✉
M83528/008K002	806K-0908	.594 (15.09)	.630 (16.00)	.840 (21.34)	.135 (3.43)	✉
M83528/008K003	806K-0910	.594 (15.09)	.568 (14.43)	.812 (20.62)	.125 (3.18)	✉
M83528/008K004	806K-0911	.594 (15.09)	.500 (12.70)	.875 (22.23)	.156 (3.96)	✉
M83528/008K005	806K-0920	.719 (18.26)	.750 (19.05)	.965 (24.51)	.135 (3.43)	✉
M83528/008K006	806K-0917	.719 (18.26)	.680 (17.27)	.937 (23.80)	.125 (3.18)	✉
M83528/008K007	806K-0914	.719 (18.26)	.625 (15.88)	1.000 (25.40)	.156 (3.96)	✉
M83528/004K008	806K-0926	.812 (20.62)	.875 (22.23)	1.060 (26.92)	.141 (3.58)	✉
M83528/004K009	806K-0929	.813 (20.65)	.750 (19.05)	1.094 (27.79)	.141 (3.58)	✉
M83528/004K010	806K-0943	.906 (23.01)	1.005 (25.53)	1.153 (29.29)	.135 (3.43)	✉
M83528/004K011	806K-0939	.906 (23.01)	.938 (23.83)	1.125 (28.58)	.125 (3.18)	✉
M83528/004K012	806K-0933	.906 (23.01)	.875 (22.23)	1.188 (30.18)	.156 (3.96)	✉
M83528/004K013	806K-0955	.969 (24.61)	1.135 (28.83)	1.258 (31.95)	.156 (3.96)	✉
M83528/004K014	806K-0952	.969 (24.61)	1.063 (27.00)	1.250 (31.75)	.125 (3.18)	✉
M83528/004K015	806K-0949	.969 (24.61)	1.000 (25.40)	1.281 (32.54)	.156 (3.96)	✉
M83528/004K016	806K-0966	1.062 (26.97)	1.260 (32.00)	1.351 (34.32)	.156 (3.96)	✉
M83528/004K017	806K-0965	1.062 (26.97)	1.189 (30.20)	1.343 (34.11)	.125 (3.18)	✉



**GO TO CONNECTOR GASKET MATERIAL**

- [806A Silver Copper Silicone, 65 Duro](#)
- [805B Silver Aluminum Silicone](#)
- [816C Silver Copper Fluorosilicone](#)
- [815D Silver Aluminum Fluorosilicone](#)
- [808E Pure Silver Silicone, 65 Duro](#)
- [818F Pure Silver Fluorosilicone](#)
- [808H Pure Silver Silicone, 80 Duro](#)
- [806K Silver Copper Silicone, 85 Duro](#)**
- [804L Silver Nickel Silicone](#)
- [803M Silver Glass Silicone](#)
- [801 Carbon Silicone](#)
- [802 Nickel Graphite Silicone](#)
- [812 Nickel Graphite Fluorosilicone](#)



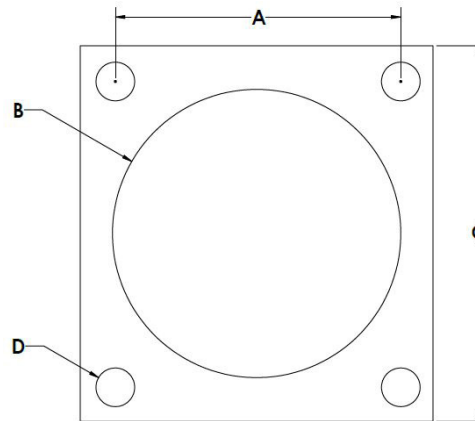
RADIUS IF REQUIRED=(C-A)/2

**Material 806K – Connector Gaskets** [Material 806K Data Sheet](#)

MIL SPEC No.	NJB Part No.	Dimension A (mm)	Dimension B (mm)	Dimension C (mm)	Dimension D (mm)	RFQ or Information
M83528/004K018	806K-0964	1.062 (26.97)	1.135 (28.83)	1.375 (34.93)	.156 (3.96)	<input type="checkbox"/>
M83528/004K019	806K-0987	1.156 (29.36)	1.375 (34.93)	1.500 (38.10)	.141 (3.58)	<input type="checkbox"/>
M83528/004K020	806K-0986	1.156 (29.36)	1.312 (33.32)	1.467 (37.26)	.125 (3.18)	<input type="checkbox"/>
M83528/004K021	806K-0983	1.156 (29.36)	1.250 (31.75)	1.500 (38.10)	.172 (4.37)	<input type="checkbox"/>
M83528/004K022	806K-2901	1.250 (31.75)	1.500 (38.10)	1.625(41.28)	.141 (3.58)	<input type="checkbox"/>
M83528/004K023	806K-0999	1.250 (31.75)	1.437 (36.50)	1.562 (39.67)	.125 (3.18)	<input type="checkbox"/>
M83528/004K024	806K-0995	1.250 (31.75)	1.375 (34.93)	1.625 (41.28)	.172 (4.37)	<input type="checkbox"/>
M83528/004K025	806K-2918	1.375 (34.93)	1.625 (41.28)	1.750 (44.45)	.172 (4.37)	<input type="checkbox"/>
M83528/004K026	806K-2917	1.375 (34.93)	1.562 (39.70)	1.703 (43.26)	.152 (3.86)	<input type="checkbox"/>
M83528/004K027	806K-2912	1.375 (34.93)	1.500 (38.10)	1.750 (44.45)	.203 (5.16)	<input type="checkbox"/>
M83528/004K028	806K-2927	1.500 (38.10)	1.750 (44.45)	1.875 (47.63)	.172 (4.37)	<input type="checkbox"/>
M83528/004K029	806K-2928	1.563 (39.67)	1.750 (44.45)	2.000 (50.80)	.203 (5.16)	<input type="checkbox"/>
M83528/004K030	806K-2938	1.750 (44.45)	2.000 (50.80)	2.250 (57.15)	.219 (5.56)	<input type="checkbox"/>
M83528/004K031	806K-2944	1.938 (49.23)	2.250 (57.15)	2.500 (63.50)	.219 (5.56)	<input type="checkbox"/>
M83528/004K032	806K-2951	2.188 (55.58)	2.500 (63.50)	2.750 (69.85)	.219 (5.56)	<input type="checkbox"/>
M83528/004K033	806K-2956	2.375 (60.33)	2.781 (70.63)	3.000 (76.20)	.219 (5.56)	<input type="checkbox"/>
M83528/004K034	806K-2961	2.625 (66.68)	3.031 (76.99)	3.250 (82.55)	.219 (5.56)	<input type="checkbox"/>

**GO TO CONNECTOR GASKET MATERIAL**

- [806A Silver Copper Silicone, 65 Duro](#)
- [805B Silver Aluminum Silicone](#)
- [816C Silver Copper Fluorosilicone](#)
- [815D Silver Aluminum Fluorosilicone](#)
- [808E Pure Silver Silicone, 65 Duro](#)
- [818F Pure Silver Fluorosilicone](#)
- [808H Pure Silver Silicone, 80 Duro](#)
- [806K Silver Copper Silicone, 85 Duro](#)
- [804L Silver Nickel Silicone](#)
- [803M Silver Glass Silicone](#)
- [801 Carbon Silicone](#)
- [802 Nickel Graphite Silicone](#)
- [812 Nickel Graphite Fluorosilicone](#)



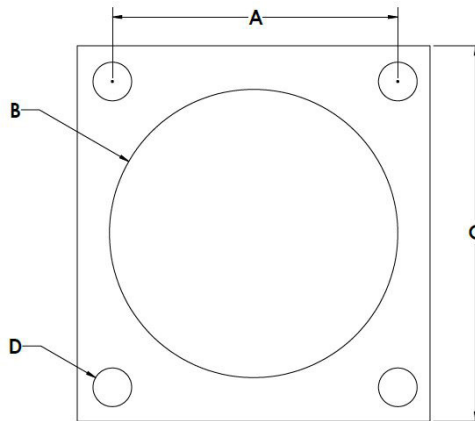
RADIUS IF REQUIRED=(C-A)/2

**Material 804L – Connector Gaskets** [Material 804L Data Sheet](#)

MIL SPEC No.	NJB Part No.	Dimension A (mm)	Dimension B (mm)	Dimension C (mm)	Dimension D (mm)	RFQ or Information
M83528/004L001	804-0901	.469 (11.91)	.375 (9.53)	.738 (18.75)	.141 (3.58)	✉
M83528/008L002	804-0908	.594 (15.09)	.630 (16.00)	.840 (21.34)	.135 (3.43)	✉
M83528/008L003	804-0910	.594 (15.09)	.568 (14.43)	.812 (20.62)	.125 (3.18)	✉
M83528/008L004	804-0911	.594 (15.09)	.500 (12.70)	.875 (22.23)	.156 (3.96)	✉
M83528/008L005	804-0920	.719 (18.26)	.750 (19.05)	.965 (24.51)	.135 (3.43)	✉
M83528/008L006	804-0917	.719 (18.26)	.680 (17.27)	.937 (23.80)	.125 (3.18)	✉
M83528/008L007	804-0914	.719 (18.26)	.625 (15.88)	1.000 (25.40)	.156 (3.96)	✉
M83528/004L008	804-0926	.812 (20.62)	.875 (22.23)	1.060 (26.92)	.141 (3.58)	✉
M83528/004L009	804-0929	.813 (20.65)	.750 (19.05)	1.094 (27.79)	.141 (3.58)	✉
M83528/004L010	804-0943	.906 (23.01)	1.005 (25.53)	1.153 (29.29)	.135 (3.43)	✉
M83528/004L011	804-0939	.906 (23.01)	.938 (23.83)	1.125 (28.58)	.125 (3.18)	✉
M83528/004L012	804-0933	.906 (23.01)	.875 (22.23)	1.188 (30.18)	.156 (3.96)	✉
M83528/004L013	804-0955	.969 (24.61)	1.135 (28.83)	1.258 (31.95)	.156 (3.96)	✉
M83528/004L014	804-0952	.969 (24.61)	1.063 (27.00)	1.250 (31.75)	.125 (3.18)	✉
M83528/004L015	804-0949	.969 (24.61)	1.000 (25.40)	1.281 (32.54)	.156 (3.96)	✉
M83528/004L016	804-0966	1.062 (26.97)	1.260 (32.00)	1.351 (34.32)	.156 (3.96)	✉
M83528/004L017	804-0965	1.062 (26.97)	1.189 (30.20)	1.343 (34.11)	.125 (3.18)	✉

**GO TO CONNECTOR GASKET MATERIAL**

- [806A Silver Copper Silicone, 65 Duro](#)
- [805B Silver Aluminum Silicone](#)
- [816C Silver Copper Fluorosilicone](#)
- [815D Silver Aluminum Fluorosilicone](#)
- [808E Pure Silver Silicone, 65 Duro](#)
- [818F Pure Silver Fluorosilicone](#)
- [808H Pure Silver Silicone, 80 Duro](#)
- [806K Silver Copper Silicone, 85 Duro](#)
- [804L Silver Nickel Silicone](#)**
- [803M Silver Glass Silicone](#)
- [801 Carbon Silicone](#)
- [802 Nickel Graphite Silicone](#)
- [812 Nickel Graphite Fluorosilicone](#)



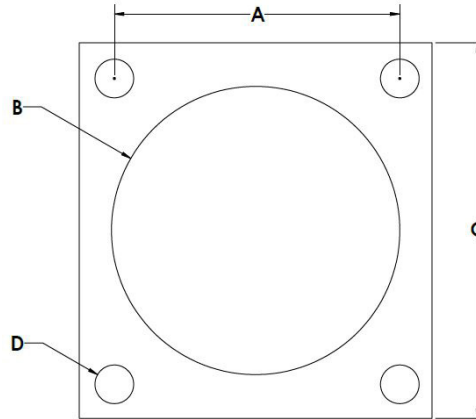
RADIUS IF REQUIRED=(C-A)/2

**Material 804L – Connector Gaskets** [Material 804L Data Sheet](#)


MIL SPEC No.	NJB Part No.	Dimension A (mm)	Dimension B (mm)	Dimension C (mm)	Dimension D (mm)	RFQ or Information
M83528/004L018	804-0964	1.062 (26.97)	1.135 (28.83)	1.375 (34.93)	.156 (3.96)	<input type="checkbox"/>
M83528/004L019	804-0987	1.156 (29.36)	1.375 (34.93)	1.500 (38.10)	.141 (3.58)	<input type="checkbox"/>
M83528/004L020	804-0986	1.156 (29.36)	1.312 (33.32)	1.467 (37.26)	.125 (3.18)	<input type="checkbox"/>
M83528/004L021	804-0983	1.156 (29.36)	1.250 (31.75)	1.500 (38.10)	.172 (4.37)	<input type="checkbox"/>
M83528/004L022	804-2901	1.250 (31.75)	1.500 (38.10)	1.625(41.28)	.141 (3.58)	<input type="checkbox"/>
M83528/004L023	804-0999	1.250 (31.75)	1.437 (36.50)	1.562 (39.67)	.125 (3.18)	<input type="checkbox"/>
M83528/004L024	804-0995	1.250 (31.75)	1.375 (34.93)	1.625 (41.28)	.172 (4.37)	<input type="checkbox"/>
M83528/004L025	804-2918	1.375 (34.93)	1.625 (41.28)	1.750 (44.45)	.172 (4.37)	<input type="checkbox"/>
M83528/004L026	804-2917	1.375 (34.93)	1.562 (39.70)	1.703 (43.26)	.152 (3.86)	<input type="checkbox"/>
M83528/004L027	804-2912	1.375 (34.93)	1.500 (38.10)	1.750 (44.45)	.203 (5.16)	<input type="checkbox"/>
M83528/004L028	804-2927	1.500 (38.10)	1.750 (44.45)	1.875 (47.63)	.172 (4.37)	<input type="checkbox"/>
M83528/004L029	804-2928	1.563 (39.67)	1.750 (44.45)	2.000 (50.80)	.203 (5.16)	<input type="checkbox"/>
M83528/004L030	804-2938	1.750 (44.45)	2.000 (50.80)	2.250 (57.15)	.219 (5.56)	<input type="checkbox"/>
M83528/004L031	804-2944	1.938 (49.23)	2.250 (57.15)	2.500 (63.50)	.219 (5.56)	<input type="checkbox"/>
M83528/004L032	804-2951	2.188 (55.58)	2.500 (63.50)	2.750 (69.85)	.219 (5.56)	<input type="checkbox"/>
M83528/004L033	804-2956	2.375 (60.33)	2.781 (70.63)	3.000 (76.20)	.219 (5.56)	<input type="checkbox"/>
M83528/004L034	804-2961	2.625 (66.68)	3.031 (76.99)	3.250 (82.55)	.219 (5.56)	<input type="checkbox"/>

**GO TO CONNECTOR GASKET MATERIAL**

- [806A Silver Copper Silicone, 65 Duro](#)
- [805B Silver Aluminum Silicone](#)
- [816C Silver Copper Fluorosilicone](#)
- [815D Silver Aluminum Fluorosilicone](#)
- [808E Pure Silver Silicone, 65 Duro](#)
- [818F Pure Silver Fluorosilicone](#)
- [808H Pure Silver Silicone, 80 Duro](#)
- [806K Silver Copper Silicone, 85 Duro](#)
- [804L Silver Nickel Silicone](#)
- [803M Silver Glass Silicone](#)**
- [801 Carbon Silicone](#)
- [802 Nickel Graphite Silicone](#)
- [812 Nickel Graphite Fluorosilicone](#)



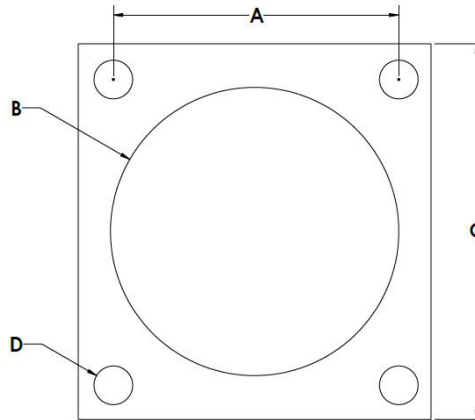
RADIUS IF REQUIRED=(C-A)/2

**Material 803M – Connector Gaskets**  **Material 803M Data Sheet**

MIL SPEC No.	NJB Part No.	Dimension A (mm)	Dimension B (mm)	Dimension C (mm)	Dimension D (mm)	RFQ or Information
M83528/004M001	803-0901	.469 (11.91)	.375 (9.53)	.738 (18.75)	.141 (3.58)	
M83528/008M002	803-0908	.594 (15.09)	.630 (16.00)	.840 (21.34)	.135 (3.43)	
M83528/008M003	803-0910	.594 (15.09)	.568 (14.43)	.812 (20.62)	.125 (3.18)	
M83528/008M004	803-0911	.594 (15.09)	.500 (12.70)	.875 (22.23)	.156 (3.96)	
M83528/008M005	803-0920	.719 (18.26)	.750 (19.05)	.965 (24.51)	.135 (3.43)	
M83528/008M006	803-0917	.719 (18.26)	.680 (17.27)	.937 (23.80)	.125 (3.18)	
M83528/008M007	803-0914	.719 (18.26)	.625 (15.88)	1.000 (25.40)	.156 (3.96)	
M83528/004M008	803-0926	.812 (20.62)	.875 (22.23)	1.060 (26.92)	.141 (3.58)	
M83528/004M009	803-0929	.813 (20.65)	.750 (19.05)	1.094 (27.79)	.141 (3.58)	
M83528/004M010	803-0943	.906 (23.01)	1.005 (25.53)	1.153 (29.29)	.135 (3.43)	
M83528/004M011	803-0939	.906 (23.01)	.938 (23.83)	1.125 (28.58)	.125 (3.18)	
M83528/004M012	803-0933	.906 (23.01)	.875 (22.23)	1.188 (30.18)	.156 (3.96)	
M83528/004M013	803-0955	.969 (24.61)	1.135 (28.83)	1.258 (31.95)	.156 (3.96)	
M83528/004M014	803-0952	.969 (24.61)	1.063 (27.00)	1.250 (31.75)	.125 (3.18)	
M83528/004M015	803-0949	.969 (24.61)	1.000 (25.40)	1.281 (32.54)	.156 (3.96)	
M83528/004M016	803-0966	1.062 (26.97)	1.260 (32.00)	1.351 (34.32)	.156 (3.96)	
M83528/004M017	803-0965	1.062 (26.97)	1.189 (30.20)	1.343 (34.11)	.125 (3.18)	

**GO TO CONNECTOR GASKET MATERIAL**

- [806A Silver Copper Silicone, 65 Duro](#)
- [805B Silver Aluminum Silicone](#)
- [816C Silver Copper Fluorosilicone](#)
- [815D Silver Aluminum Fluorosilicone](#)
- [808E Pure Silver Silicone, 65 Duro](#)
- [818F Pure Silver Fluorosilicone](#)
- [808H Pure Silver Silicone, 80 Duro](#)
- [806K Silver Copper Silicone, 85 Duro](#)
- [804L Silver Nickel Silicone](#)
- [803M Silver Glass Silicone](#)
- [801 Carbon Silicone](#)
- [802 Nickel Graphite Silicone](#)
- [812 Nickel Graphite Fluorosilicone](#)



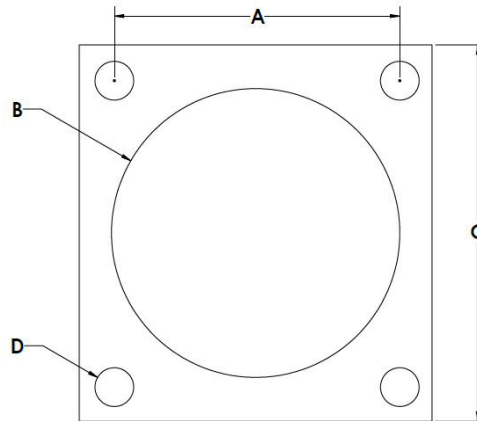
RADIUS IF REQUIRED=(C-A)/2

**Material 803M – Connector Gaskets** **Material 803M Data Sheet**

MIL SPEC No.	NJB Part No.	Dimension A (mm)	Dimension B (mm)	Dimension C (mm)	Dimension D (mm)	RFQ or Information
M83528/004M018	803-0964	1.062 (26.97)	1.135 (28.83)	1.375 (34.93)	.156 (3.96)	
M83528/004M019	803-0987	1.156 (29.36)	1.375 (34.93)	1.500 (38.10)	.141 (3.58)	
M83528/004M020	803-0986	1.156 (29.36)	1.312 (33.32)	1.467 (37.26)	.125 (3.18)	
M83528/004M021	803-0983	1.156 (29.36)	1.250 (31.75)	1.500 (38.10)	.172 (4.37)	
M83528/004M022	803-2901	1.250 (31.75)	1.500 (38.10)	1.625(41.28)	.141 (3.58)	
M83528/004M023	803-0999	1.250 (31.75)	1.437 (36.50)	1.562 (39.67)	.125 (3.18)	
M83528/004M024	803-0995	1.250 (31.75)	1.375 (34.93)	1.625 (41.28)	.172 (4.37)	
M83528/004M025	803-2918	1.375 (34.93)	1.625 (41.28)	1.750 (44.45)	.172 (4.37)	
M83528/004M026	803-2917	1.375 (34.93)	1.562 (39.70)	1.703 (43.26)	.152 (3.86)	
M83528/004M027	803-2912	1.375 (34.93)	1.500 (38.10)	1.750 (44.45)	.203 (5.16)	
M83528/004M028	803-2927	1.500 (38.10)	1.750 (44.45)	1.875 (47.63)	.172 (4.37)	
M83528/004M029	803-2928	1.563 (39.67)	1.750 (44.45)	2.000 (50.80)	.203 (5.16)	
M83528/004M030	803-2938	1.750 (44.45)	2.000 (50.80)	2.250 (57.15)	.219 (5.56)	
M83528/004M031	803-2944	1.938 (49.23)	2.250 (57.15)	2.500 (63.50)	.219 (5.56)	
M83528/004M032	803-2951	2.188 (55.58)	2.500 (63.50)	2.750 (69.85)	.219 (5.56)	
M83528/004M033	803-2956	2.375 (60.33)	2.781 (70.63)	3.000 (76.20)	.219 (5.56)	
M83528/004M034	803-2961	2.625 (66.68)	3.031 (76.99)	3.250 (82.55)	.219 (5.56)	

**GO TO CONNECTOR GASKET MATERIAL**

- [806A Silver Copper Silicone, 65 Duro](#)
- [805B Silver Aluminum Silicone](#)
- [816C Silver Copper Fluorosilicone](#)
- [815D Silver Aluminum Fluorosilicone](#)
- [808E Pure Silver Silicone, 65 Duro](#)
- [818F Pure Silver Fluorosilicone](#)
- [808H Pure Silver Silicone, 80 Duro](#)
- [806K Silver Copper Silicone, 85 Duro](#)
- [804L Silver Nickel Silicone](#)
- [803M Silver Glass Silicone](#)
- 801 Carbon Silicone**
- [802 Nickel Graphite Silicone](#)
- [812 Nickel Graphite Fluorosilicone](#)



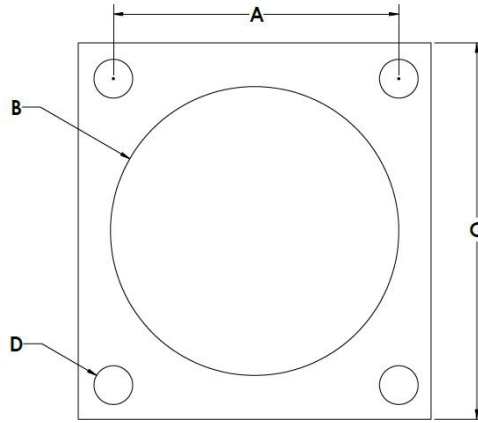
RADIUS IF REQUIRED=(C-A)/2

**Material 801 – Connector Gaskets** **Material 801 Data Sheet**

MIL SPEC No.	NJB Part No.	Dimension A (mm)	Dimension B (mm)	Dimension C (mm)	Dimension D (mm)	RFQ or Information
N/A	801-0901	.469 (11.91)	.375 (9.53)	.738 (18.75)	.141 (3.58)	
N/A	801-0908	.594 (15.09)	.630 (16.00)	.840 (21.34)	.135 (3.43)	
N/A	801-0910	.594 (15.09)	.568 (14.43)	.812 (20.62)	.125 (3.18)	
N/A	801-0911	.594 (15.09)	.500 (12.70)	.875 (22.23)	.156 (3.96)	
N/A	801-0920	.719 (18.26)	.750 (19.05)	.965 (24.51)	.135 (3.43)	
N/A	801-0917	.719 (18.26)	.680 (17.27)	.937 (23.80)	.125 (3.18)	
N/A	801-0914	.719 (18.26)	.625 (15.88)	1.000 (25.40)	.156 (3.96)	
N/A	801-0926	.812 (20.62)	.875 (22.23)	1.060 (26.92)	.141 (3.58)	
N/A	801-0929	.813 (20.65)	.750 (19.05)	1.094 (27.79)	.141 (3.58)	
N/A	801-0943	.906 (23.01)	1.005 (25.53)	1.153 (29.29)	.135 (3.43)	
N/A	801-0939	.906 (23.01)	.938 (23.83)	1.125 (28.58)	.125 (3.18)	
N/A	801-0933	.906 (23.01)	.875 (22.23)	1.188 (30.18)	.156 (3.96)	
N/A	801-0955	.969 (24.61)	1.135 (28.83)	1.258 (31.95)	.156 (3.96)	
N/A	801-0952	.969 (24.61)	1.063 (27.00)	1.250 (31.75)	.125 (3.18)	
N/A	801-0949	.969 (24.61)	1.000 (25.40)	1.281 (32.54)	.156 (3.96)	
N/A	801-0966	1.062 (26.97)	1.260 (32.00)	1.351 (34.32)	.156 (3.96)	
N/A	801-0965	1.062 (26.97)	1.189 (30.20)	1.343 (34.11)	.125 (3.18)	

**GO TO CONNECTOR GASKET MATERIAL**

- [806A Silver Copper Silicone, 65 Duro](#)
- [805B Silver Aluminum Silicone](#)
- [816C Silver Copper Fluorosilicone](#)
- [815D Silver Aluminum Fluorosilicone](#)
- [808E Pure Silver Silicone, 65 Duro](#)
- [818F Pure Silver Fluorosilicone](#)
- [808H Pure Silver Silicone, 80 Duro](#)
- [806K Silver Copper Silicone, 85 Duro](#)
- [804L Silver Nickel Silicone](#)
- [803M Silver Glass Silicone](#)
- [801 Carbon Silicone](#)**
- [802 Nickel Graphite Silicone](#)
- [812 Nickel Graphite Fluorosilicone](#)



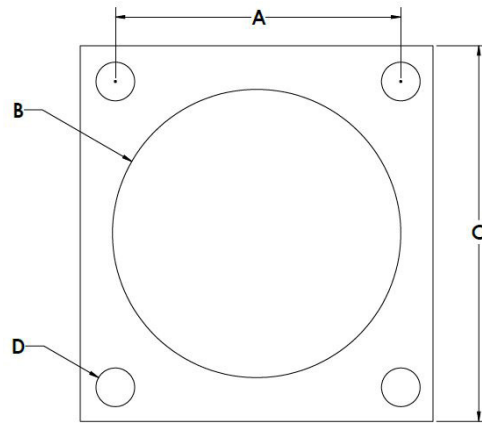
RADIUS IF REQUIRED=(C-A)/2

**Material 801 – Connector Gaskets** **Material 801 Data Sheet**

MIL SPEC No.	NJB Part No.	Dimension A (mm)	Dimension B (mm)	Dimension C (mm)	Dimension D (mm)	RFQ or Information
N/A	801-0964	1.062 (26.97)	1.135 (28.83)	1.375 (34.93)	.156 (3.96)	<input type="checkbox"/>
N/A	801-0987	1.156 (29.36)	1.375 (34.93)	1.500 (38.10)	.141 (3.58)	<input type="checkbox"/>
N/A	801-0986	1.156 (29.36)	1.312 (33.32)	1.467 (37.26)	.125 (3.18)	<input type="checkbox"/>
N/A	801-0983	1.156 (29.36)	1.250 (31.75)	1.500 (38.10)	.172 (4.37)	<input type="checkbox"/>
N/A	801-2901	1.250 (31.75)	1.500 (38.10)	1.625(41.28)	.141 (3.58)	<input type="checkbox"/>
N/A	801-0999	1.250 (31.75)	1.437 (36.50)	1.562 (39.67)	.125 (3.18)	<input type="checkbox"/>
N/A	801-0995	1.250 (31.75)	1.375 (34.93)	1.625 (41.28)	.172 (4.37)	<input type="checkbox"/>
N/A	801-2918	1.375 (34.93)	1.625 (41.28)	1.750 (44.45)	.172 (4.37)	<input type="checkbox"/>
N/A	801-2917	1.375 (34.93)	1.562 (39.70)	1.703 (43.26)	.152 (3.86)	<input type="checkbox"/>
N/A	801-2912	1.375 (34.93)	1.500 (38.10)	1.750 (44.45)	.203 (5.16)	<input type="checkbox"/>
N/A	801-2927	1.500 (38.10)	1.750 (44.45)	1.875 (47.63)	.172 (4.37)	<input type="checkbox"/>
N/A	801-2928	1.563 (39.67)	1.750 (44.45)	2.000 (50.80)	.203 (5.16)	<input type="checkbox"/>
N/A	801-2938	1.750 (44.45)	2.000 (50.80)	2.250 (57.15)	.219 (5.56)	<input type="checkbox"/>
N/A	801-2944	1.938 (49.23)	2.250 (57.15)	2.500 (63.50)	.219 (5.56)	<input type="checkbox"/>
N/A	801-2951	2.188 (55.58)	2.500 (63.50)	2.750 (69.85)	.219 (5.56)	<input type="checkbox"/>
N/A	801-2956	2.375 (60.33)	2.781 (70.63)	3.000 (76.20)	.219 (5.56)	<input type="checkbox"/>
N/A	801-2961	2.625 (66.68)	3.031 (76.99)	3.250 (82.55)	.219 (5.56)	<input type="checkbox"/>

**GO TO CONNECTOR GASKET MATERIAL**

- [806A Silver Copper Silicone, 65 Duro](#)
- [805B Silver Aluminum Silicone](#)
- [816C Silver Copper Fluorosilicone](#)
- [815D Silver Aluminum Fluorosilicone](#)
- [808E Pure Silver Silicone, 65 Duro](#)
- [818F Pure Silver Fluorosilicone](#)
- [808H Pure Silver Silicone, 80 Duro](#)
- [806K Silver Copper Silicone, 85 Duro](#)
- [804L Silver Nickel Silicone](#)
- [803M Silver Glass Silicone](#)
- [801 Carbon Silicone](#)
- [802 Nickel Graphite Silicone](#)**
- [812 Nickel Graphite Fluorosilicone](#)



RADIUS IF REQUIRED=(C-A)/2

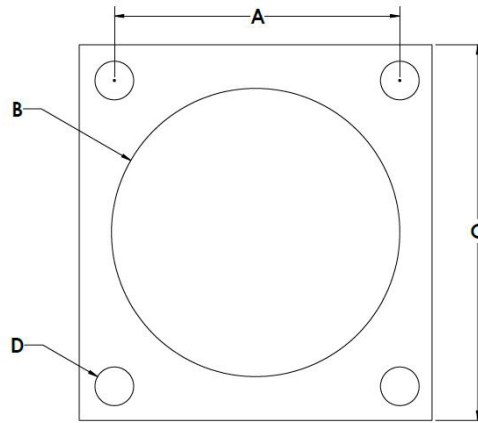
**Material 802 – Connector Gaskets** **Material 802 Data Sheet**

MIL SPEC No.	NJB Part No.	Dimension A (mm)	Dimension B (mm)	Dimension C (mm)	Dimension D (mm)	RFQ or Information
N/A	802-0901	.469 (11.91)	.375 (9.53)	.738 (18.75)	.141 (3.58)	
N/A	802-0908	.594 (15.09)	.630 (16.00)	.840 (21.34)	.135 (3.43)	
N/A	802-0910	.594 (15.09)	.568 (14.43)	.812 (20.62)	.125 (3.18)	
N/A	802-0911	.594 (15.09)	.500 (12.70)	.875 (22.23)	.156 (3.96)	
N/A	802-0920	.719 (18.26)	.750 (19.05)	.965 (24.51)	.135 (3.43)	
N/A	802-0917	.719 (18.26)	.680 (17.27)	.937 (23.80)	.125 (3.18)	
N/A	802-0914	.719 (18.26)	.625 (15.88)	1.000 (25.40)	.156 (3.96)	
N/A	802-0926	.812 (20.62)	.875 (22.23)	1.060 (26.92)	.141 (3.58)	
N/A	802-0929	.813 (20.65)	.750 (19.05)	1.094 (27.79)	.141 (3.58)	
N/A	802-0943	.906 (23.01)	1.005 (25.53)	1.153 (29.29)	.135 (3.43)	
N/A	802-0939	.906 (23.01)	.938 (23.83)	1.125 (28.58)	.125 (3.18)	
N/A	802-0933	.906 (23.01)	.875 (22.23)	1.188 (30.18)	.156 (3.96)	
N/A	802-0955	.969 (24.61)	1.135 (28.83)	1.258 (31.95)	.156 (3.96)	
N/A	802-0952	.969 (24.61)	1.063 (27.00)	1.250 (31.75)	.125 (3.18)	
N/A	802-0949	.969 (24.61)	1.000 (25.40)	1.281 (32.54)	.156 (3.96)	
N/A	802-0966	1.062 (26.97)	1.260 (32.00)	1.351 (34.32)	.156 (3.96)	
N/A	802-0965	1.062 (26.97)	1.189 (30.20)	1.343 (34.11)	.125 (3.18)	



**GO TO CONNECTOR GASKET MATERIAL**

- [806A Silver Copper Silicone, 65 Duro](#)
- [805B Silver Aluminum Silicone](#)
- [816C Silver Copper Fluorosilicone](#)
- [815D Silver Aluminum Fluorosilicone](#)
- [808E Pure Silver Silicone, 65 Duro](#)
- [818F Pure Silver Fluorosilicone](#)
- [808H Pure Silver Silicone, 80 Duro](#)
- [806K Silver Copper Silicone, 85 Duro](#)
- [804L Silver Nickel Silicone](#)
- [803M Silver Glass Silicone](#)
- [801 Carbon Silicone](#)
- [802 Nickel Graphite Silicone](#)**
- [812 Nickel Graphite Fluorosilicone](#)



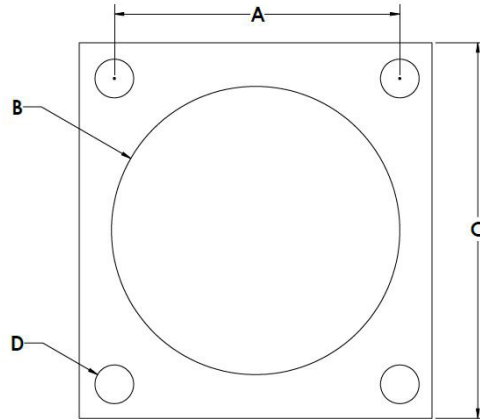
RADIUS IF REQUIRED=(C-A)/2

**Material 802 – Connector Gaskets** [Material 802 Data Sheet](#)

MIL SPEC No.	NJB Part No.	Dimension A (mm)	Dimension B (mm)	Dimension C (mm)	Dimension D (mm)	RFQ or Information
N/A	802-0964	1.062 (26.97)	1.135 (28.83)	1.375 (34.93)	.156 (3.96)	✉
N/A	802-0987	1.156 (29.36)	1.375 (34.93)	1.500 (38.10)	.141 (3.58)	✉
N/A	802-0986	1.156 (29.36)	1.312 (33.32)	1.467 (37.26)	.125 (3.18)	✉
N/A	802-0983	1.156 (29.36)	1.250 (31.75)	1.500 (38.10)	.172 (4.37)	✉
N/A	802-2901	1.250 (31.75)	1.500 (38.10)	1.625(41.28)	.141 (3.58)	✉
N/A	802-0999	1.250 (31.75)	1.437 (36.50)	1.562 (39.67)	.125 (3.18)	✉
N/A	802-0995	1.250 (31.75)	1.375 (34.93)	1.625 (41.28)	.172 (4.37)	✉
N/A	802-2918	1.375 (34.93)	1.625 (41.28)	1.750 (44.45)	.172 (4.37)	✉
N/A	802-2917	1.375 (34.93)	1.562 (39.70)	1.703 (43.26)	.152 (3.86)	✉
N/A	802-2912	1.375 (34.93)	1.500 (38.10)	1.750 (44.45)	.203 (5.16)	✉
N/A	802-2927	1.500 (38.10)	1.750 (44.45)	1.875 (47.63)	.172 (4.37)	✉
N/A	802-2928	1.563 (39.67)	1.750 (44.45)	2.000 (50.80)	.203 (5.16)	✉
N/A	802-2938	1.750 (44.45)	2.000 (50.80)	2.250 (57.15)	.219 (5.56)	✉
N/A	802-2944	1.938 (49.23)	2.250 (57.15)	2.500 (63.50)	.219 (5.56)	✉
N/A	802-2951	2.188 (55.58)	2.500 (63.50)	2.750 (69.85)	.219 (5.56)	✉
N/A	802-2956	2.375 (60.33)	2.781 (70.63)	3.000 (76.20)	.219 (5.56)	✉
N/A	802-2961	2.625 (66.68)	3.031 (76.99)	3.250 (82.55)	.219 (5.56)	✉

**GO TO CONNECTOR GASKET MATERIAL**

- [806A Silver Copper Silicone, 65 Duro](#)
- [805B Silver Aluminum Silicone](#)
- [816C Silver Copper Fluorosilicone](#)
- [815D Silver Aluminum Fluorosilicone](#)
- [808E Pure Silver Silicone, 65 Duro](#)
- [818F Pure Silver Fluorosilicone](#)
- [808H Pure Silver Silicone, 80 Duro](#)
- [806K Silver Copper Silicone, 85 Duro](#)
- [804L Silver Nickel Silicone](#)
- [803M Silver Glass Silicone](#)
- [801 Carbon Silicone](#)
- [802 Nickel Graphite Silicone](#)
- [812 Nickel Graphite Fluorosilicone](#)



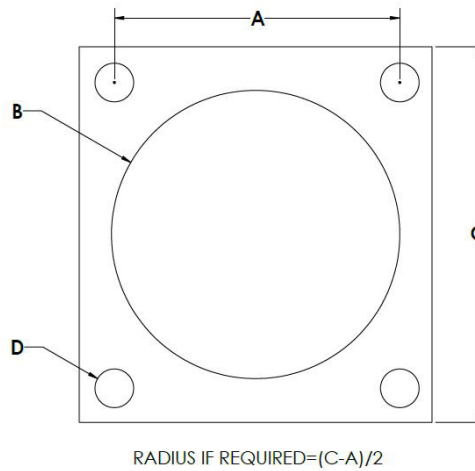
RADIUS IF REQUIRED=(C-A)/2

**Material 812 – Connector Gaskets** **Material 812 Data Sheet**

MIL SPEC No.	NJB Part No.	Dimension A (mm)	Dimension B (mm)	Dimension C (mm)	Dimension D (mm)	RFQ or Information
N/A	812-0901	.469 (11.91)	.375 (9.53)	.738 (18.75)	.141 (3.58)	
N/A	812-0908	.594 (15.09)	.630 (16.00)	.840 (21.34)	.135 (3.43)	
N/A	812-0910	.594 (15.09)	.568 (14.43)	.812 (20.62)	.125 (3.18)	
N/A	812-0911	.594 (15.09)	.500 (12.70)	.875 (22.23)	.156 (3.96)	
N/A	812-0920	.719 (18.26)	.750 (19.05)	.965 (24.51)	.135 (3.43)	
N/A	812-0917	.719 (18.26)	.680 (17.27)	.937 (23.80)	.125 (3.18)	
N/A	812-0914	.719 (18.26)	.625 (15.88)	1.000 (25.40)	.156 (3.96)	
N/A	812-0926	.812 (20.62)	.875 (22.23)	1.060 (26.92)	.141 (3.58)	
N/A	812-0929	.813 (20.65)	.750 (19.05)	1.094 (27.79)	.141 (3.58)	
N/A	812-0943	.906 (23.01)	1.005 (25.53)	1.153 (29.29)	.135 (3.43)	
N/A	812-0939	.906 (23.01)	.938 (23.83)	1.125 (28.58)	.125 (3.18)	
N/A	812-0933	.906 (23.01)	.875 (22.23)	1.188 (30.18)	.156 (3.96)	
N/A	812-0955	.969 (24.61)	1.135 (28.83)	1.258 (31.95)	.156 (3.96)	
N/A	812-0952	.969 (24.61)	1.063 (27.00)	1.250 (31.75)	.125 (3.18)	
N/A	812-0949	.969 (24.61)	1.000 (25.40)	1.281 (32.54)	.156 (3.96)	
N/A	812-0966	1.062 (26.97)	1.260 (32.00)	1.351 (34.32)	.156 (3.96)	
N/A	812-0965	1.062 (26.97)	1.189 (30.20)	1.343 (34.11)	.125 (3.18)	

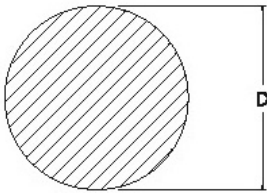
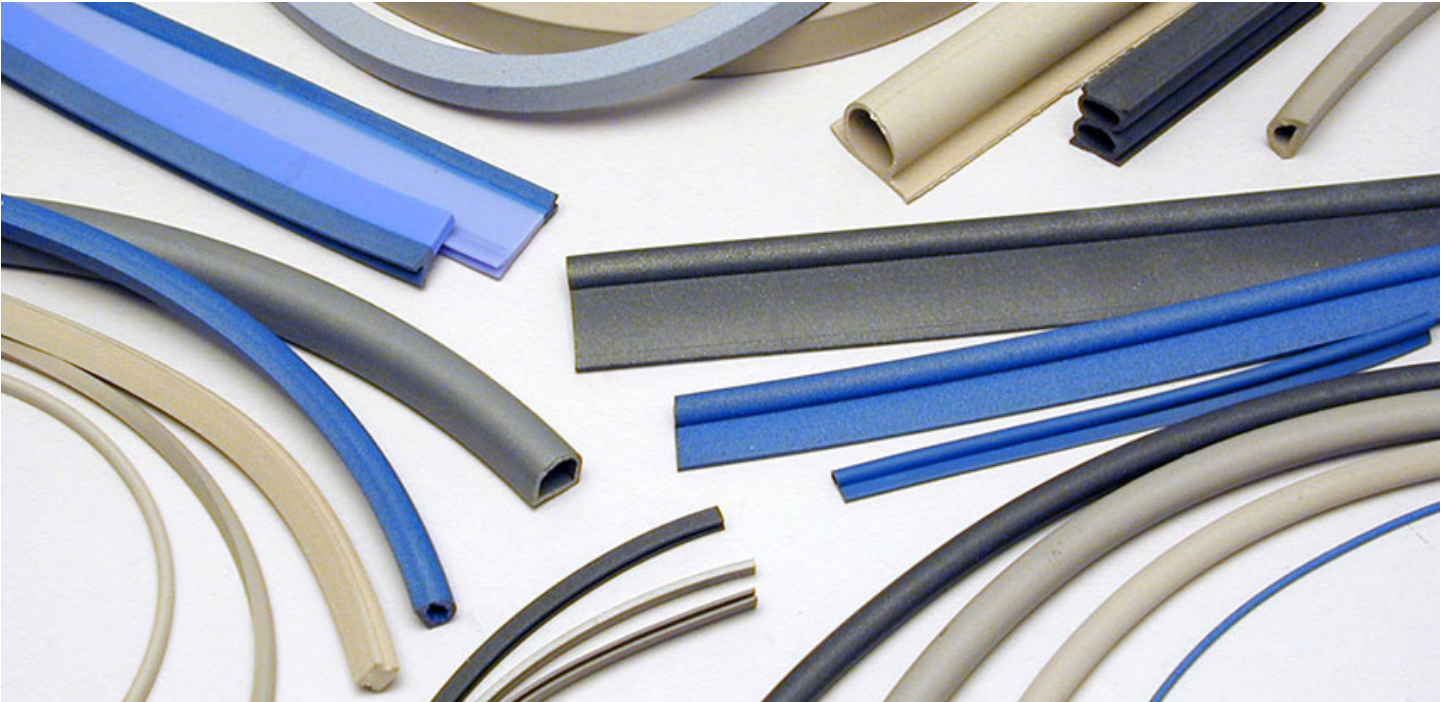
### GO TO CONNECTOR GASKET MATERIAL

- [806A Silver Copper Silicone, 65 Duro](#)
- [805B Silver Aluminum Silicone](#)
- [816C Silver Copper Fluorosilicone](#)
- [815D Silver Aluminum Fluorosilicone](#)
- [808E Pure Silver Silicone, 65 Duro](#)
- [818F Pure Silver Fluorosilicone](#)
- [808H Pure Silver Silicone, 80 Duro](#)
- [806K Silver Copper Silicone, 85 Duro](#)
- [804L Silver Nickel Silicone](#)
- [803M Silver Glass Silicone](#)
- [801 Carbon Silicone](#)
- [802 Nickel Graphite Silicone](#)
- [812 Nickel Graphite Fluorosilicone](#)

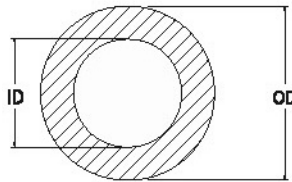


### Material 812 – Connector Gaskets [Material 812 Data Sheet](#)

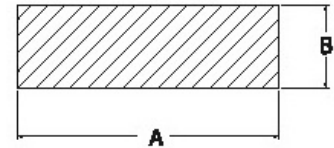
MIL SPEC No.	NJB Part No.	Dimension A (mm)	Dimension B (mm)	Dimension C (mm)	Dimension D (mm)	RFQ or Information
N/A	812-0964	1.062 (26.97)	1.135 (28.83)	1.375 (34.93)	.156 (3.96)	✉
N/A	812-0987	1.156 (29.36)	1.375 (34.93)	1.500 (38.10)	.141 (3.58)	✉
N/A	812-0986	1.156 (29.36)	1.312 (33.32)	1.467 (37.26)	.125 (3.18)	✉
N/A	812-0983	1.156 (29.36)	1.250 (31.75)	1.500 (38.10)	.172 (4.37)	✉
N/A	812-2901	1.250 (31.75)	1.500 (38.10)	1.625(41.28)	.141 (3.58)	✉
N/A	812-0999	1.250 (31.75)	1.437 (36.50)	1.562 (39.67)	.125 (3.18)	✉
N/A	812-0995	1.250 (31.75)	1.375 (34.93)	1.625 (41.28)	.172 (4.37)	✉
N/A	812-2918	1.375 (34.93)	1.625 (41.28)	1.750 (44.45)	.172 (4.37)	✉
N/A	812-2917	1.375 (34.93)	1.562 (39.70)	1.703 (43.26)	.152 (3.86)	✉
N/A	812-2912	1.375 (34.93)	1.500 (38.10)	1.750 (44.45)	.203 (5.16)	✉
N/A	812-2927	1.500 (38.10)	1.750 (44.45)	1.875 (47.63)	.172 (4.37)	✉
N/A	812-2928	1.563 (39.67)	1.750 (44.45)	2.000 (50.80)	.203 (5.16)	✉
N/A	812-2938	1.750 (44.45)	2.000 (50.80)	2.250 (57.15)	.219 (5.56)	✉
N/A	812-2944	1.938 (49.23)	2.250 (57.15)	2.500 (63.50)	.219 (5.56)	✉
N/A	812-2951	2.188 (55.58)	2.500 (63.50)	2.750 (69.85)	.219 (5.56)	✉
N/A	812-2956	2.375 (60.33)	2.781 (70.63)	3.000 (76.20)	.219 (5.56)	✉
N/A	812-2961	2.625 (66.68)	3.031 (76.99)	3.250 (82.55)	.219 (5.56)	✉



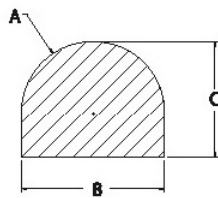
**SOLID ROUND**



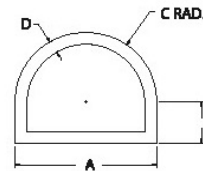
**HOLLOW ROUND**



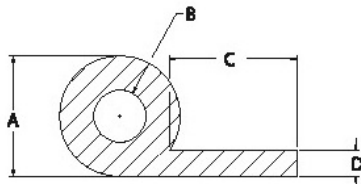
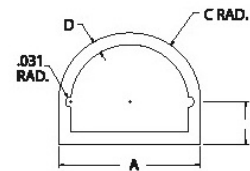
**SOLID RECTANGLE**



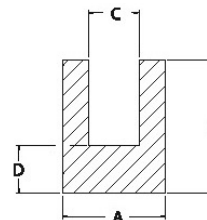
**SOLID D PROFILE**



**HOLLOW D PROFILE**



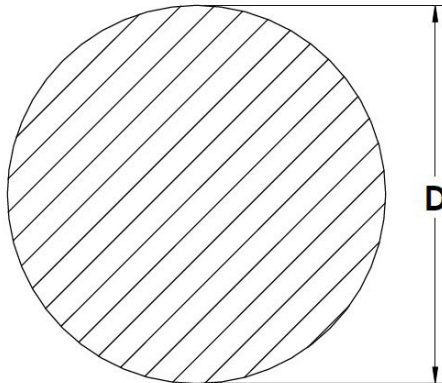
**P PROFILE**



**U PROFILE**

**GO TO SOLID ROUND MATERIAL**

- [806A Silver Copper Silicone, 65 Duro](#)
- [805B Silver Aluminum Silicone](#)
- [816C Silver Copper Fluorosilicone](#)
- [815D Silver Aluminum Fluorosilicone](#)
- [808E Pure Silver Silicone, 65 Duro](#)
- [818F Pure Silver Fluorosilicone](#)
- [808H Pure Silver Silicone, 80 Duro](#)
- [806K Silver Copper Silicone, 85 Duro](#)
- [804L Silver Nickel Silicone](#)
- [803M Silver Glass Silicone](#)
- [801 Carbon Silicone](#)
- [802 Nickel Graphite Silicone](#)
- [812 Nickel Graphite Fluorosilicone](#)



- SOLID ROUND
- HOLLOW ROUND
- SOLID RECTANGLE
- SOLID D PROFILE
- HOLLOW D PROFILE
- P PROFILE
- U PROFILE

**Material 806A – Solid Round**

[Material 806A Data Sheet](#)

MIL SPEC No.	NJB Part No.	Dimension D (mm)	RFQ or Information
M83528/001A001	806A-0201	.040 (1.02)	<input type="checkbox"/>
M83528/001A002	806A-0202	.053 (1.35)	<input type="checkbox"/>
M83528/001A003	806A-0203	.062 (1.57)	<input type="checkbox"/>
M83528/001A004	806A-0204	.070 (1.78)	<input type="checkbox"/>
M83528/001A005	806A-0212	.080 (2.03)	<input type="checkbox"/>
M83528/001A006	806A-0205	.093 (2.36)	<input type="checkbox"/>
M83528/001A007	806A-0206	.103 (2.62)	<input type="checkbox"/>
M83528/001A008	806A-0207	.119 (3.02)	<input type="checkbox"/>
M83528/001A009	806A-0208	.125 (3.18)	<input type="checkbox"/>
M83528/001A010	806A-0209	.139 (3.53)	<input type="checkbox"/>
M83528/001A011	806A-0217	.188 (4.78)	<input type="checkbox"/>
M83528/001A012	806A-0210	.216 (5.49)	<input type="checkbox"/>
M83528/001A013	806A-0211	.250 (6.35)	<input type="checkbox"/>

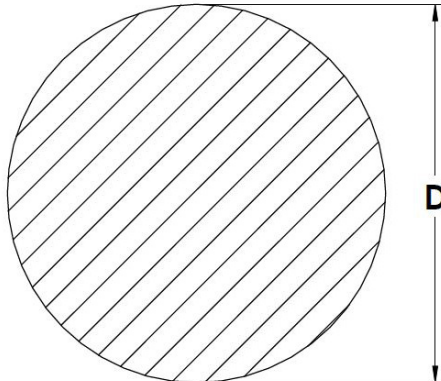
**Material 805B – Solid Round**

[Material 805B Data Sheet](#)

MIL SPEC No.	NJB Part No.	Dimension D (mm)	RFQ or Information
M83528/001B001	805-0201	.040 (1.02)	<input type="checkbox"/>
M83528/001B002	805-0202	.053 (1.35)	<input type="checkbox"/>
M83528/001B003	805-0203	.062 (1.57)	<input type="checkbox"/>
M83528/001B004	805-0204	.070 (1.78)	<input type="checkbox"/>
M83528/001B005	805-0212	.080 (2.03)	<input type="checkbox"/>
M83528/001B006	805-0205	.093 (2.36)	<input type="checkbox"/>
M83528/001B007	805-0206	.103 (2.62)	<input type="checkbox"/>
M83528/001B008	805-0207	.119 (3.02)	<input type="checkbox"/>
M83528/001B009	805-0208	.125 (3.18)	<input type="checkbox"/>
M83528/001B010	805-0209	.139 (3.53)	<input type="checkbox"/>
M83528/001B011	805-0217	.188 (4.78)	<input type="checkbox"/>
M83528/001B012	805-0210	.216 (5.49)	<input type="checkbox"/>
M83528/001B013	805-0211	.250 (6.35)	<input type="checkbox"/>

**GO TO SOLID ROUND MATERIAL**

- [806A Silver Copper Silicone, 65 Duro](#)
- [805B Silver Aluminum Silicone](#)
- [816C Silver Copper Fluorosilicone](#)**
- [815D Silver Aluminum Fluorosilicone](#)**
- [808E Pure Silver Silicone, 65 Duro](#)
- [818F Pure Silver Fluorosilicone](#)
- [808H Pure Silver Silicone, 80 Duro](#)
- [806K Silver Copper Silicone, 85 Duro](#)
- [804L Silver Nickel Silicone](#)
- [803M Silver Glass Silicone](#)
- [801 Carbon Silicone](#)
- [802 Nickel Graphite Silicone](#)
- [812 Nickel Graphite Fluorosilicone](#)



- SOLID ROUND
- HOLLOW ROUND
- SOLID RECTANGLE
- SOLID D PROFILE
- HOLLOW D PROFILE
- P PROFILE
- U PROFILE

**Material 816C - Solid Round**

[Material 816C Data Sheet](#)

MIL SPEC No.	NJB Part No.	Dimension D (mm)	RFQ or Information
M83528/001C001	816-0201	.040 (1.02)	<input type="checkbox"/>
M83528/001C002	816-0202	.053 (1.35)	<input type="checkbox"/>
M83528/001C003	816-0203	.062 (1.57)	<input type="checkbox"/>
M83528/001C004	816-0204	.070 (1.78)	<input type="checkbox"/>
M83528/001C005	816-0212	.080 (2.03)	<input type="checkbox"/>
M83528/001C006	816-0205	.093 (2.36)	<input type="checkbox"/>
M83528/001C007	816-0206	.103 (2.62)	<input type="checkbox"/>
M83528/001C008	816-0207	.119 (3.02)	<input type="checkbox"/>
M83528/001C009	816-0208	.125 (3.18)	<input type="checkbox"/>
M83528/001C010	816-0209	.139 (3.53)	<input type="checkbox"/>
M83528/001C011	816-0217	.188 (4.78)	<input type="checkbox"/>
M83528/001C012	816-0210	.216 (5.49)	<input type="checkbox"/>
M83528/001C013	816-0211	.250 (6.35)	<input type="checkbox"/>

**Material 815D - Solid Round**

[Material 815D Data Sheet](#)

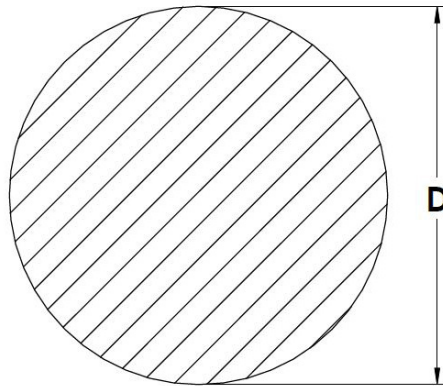
MIL SPEC No.	NJB Part No.	Dimension D (mm)	RFQ or Information
M83528/001D001	815-0201	.040 (1.02)	<input type="checkbox"/>
M83528/001D002	815-0202	.053 (1.35)	<input type="checkbox"/>
M83528/001D003	815-0203	.062 (1.57)	<input type="checkbox"/>
M83528/001D004	815-0204	.070 (1.78)	<input type="checkbox"/>
M83528/001D005	815-0212	.080 (2.03)	<input type="checkbox"/>
M83528/001D006	815-0205	.093 (2.36)	<input type="checkbox"/>
M83528/001D007	815-0206	.103 (2.62)	<input type="checkbox"/>
M83528/001D008	815-0207	.119 (3.02)	<input type="checkbox"/>
M83528/001D009	815-0208	.125 (3.18)	<input type="checkbox"/>
M83528/001D010	815-0209	.139 (3.53)	<input type="checkbox"/>
M83528/001D011	815-0217	.188 (4.78)	<input type="checkbox"/>
M83528/001D012	815-0210	.216 (5.49)	<input type="checkbox"/>
M83528/001D013	815-0211	.250 (6.35)	<input type="checkbox"/>

[Back to Home Page](#)

I need assistance.  
Please contact me.

**GO TO SOLID ROUND MATERIAL**

- [806A Silver Copper Silicone, 65 Duro](#)
- [805B Silver Aluminum Silicone](#)
- [816C Silver Copper Fluorosilicone](#)
- [815D Silver Aluminum Fluorosilicone](#)
- [808E Pure Silver Silicone, 65 Duro](#)**
- [818F Pure Silver Fluorosilicone](#)**
- [808H Pure Silver Silicone, 80 Duro](#)
- [806K Silver Copper Silicone, 85 Duro](#)
- [804L Silver Nickel Silicone](#)
- [803M Silver Glass Silicone](#)
- [801 Carbon Silicone](#)
- [802 Nickel Graphite Silicone](#)
- [812 Nickel Graphite Fluorosilicone](#)



- SOLID ROUND
- HOLLOW ROUND
- SOLID RECTANGLE
- SOLID D PROFILE
- HOLLOW D PROFILE
- P PROFILE
- U PROFILE

**Material 808E - Solid Round**

[Material 808E Data Sheet](#)

MIL SPEC No.	NJB Part No.	Dimension D (mm)	RFQ or Information
M83528/001E001	808E-0201	.040 (1.02)	<input type="checkbox"/>
M83528/001E002	808E-0202	.053 (1.35)	<input type="checkbox"/>
M83528/001E003	808E-0203	.062 (1.57)	<input type="checkbox"/>
M83528/001E004	808E-0204	.070 (1.78)	<input type="checkbox"/>
M83528/001E005	808E-0212	.080 (2.03)	<input type="checkbox"/>
M83528/001E006	808E-0205	.093 (2.36)	<input type="checkbox"/>
M83528/001E007	808E-0206	.103 (2.62)	<input type="checkbox"/>
M83528/001E008	808E-0207	.119 (3.02)	<input type="checkbox"/>
M83528/001E009	808E-0208	.125 (3.18)	<input type="checkbox"/>
M83528/001E010	808E-0209	.139 (3.53)	<input type="checkbox"/>
M83528/001E011	808E-0217	.188 (4.78)	<input type="checkbox"/>
M83528/001E012	808E-0210	.216 (5.49)	<input type="checkbox"/>
M83528/001E013	808E-0211	.250 (6.35)	<input type="checkbox"/>

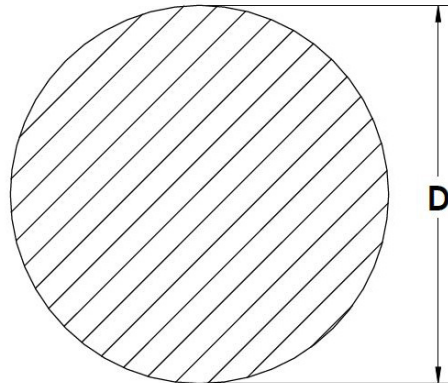
**Material 818F – Solid Round**

[Material 818F Data Sheet](#)

MIL SPEC No.	NJB Part No.	Dimension D (mm)	RFQ or Information
M83528/001F001	818-0201	.040 (1.02)	<input type="checkbox"/>
M83528/001F002	818-0202	.053 (1.35)	<input type="checkbox"/>
M83528/001F003	818-0203	.062 (1.57)	<input type="checkbox"/>
M83528/001F004	818-0204	.070 (1.78)	<input type="checkbox"/>
M83528/001F005	818-0212	.080 (2.03)	<input type="checkbox"/>
M83528/001F006	818-0205	.093 (2.36)	<input type="checkbox"/>
M83528/001F007	818-0206	.103 (2.62)	<input type="checkbox"/>
M83528/001F008	818-0207	.119 (3.02)	<input type="checkbox"/>
M83528/001F009	818-0208	.125 (3.18)	<input type="checkbox"/>
M83528/001F010	818-0209	.139 (3.53)	<input type="checkbox"/>
M83528/001F011	818-0217	.188 (4.78)	<input type="checkbox"/>
M83528/001F012	818-0210	.216 (5.49)	<input type="checkbox"/>
M83528/001F013	818-0211	.250 (6.35)	<input type="checkbox"/>

**GO TO SOLID ROUND MATERIAL**

- [806A Silver Copper Silicone, 65 Duro](#)
- [805B Silver Aluminum Silicone](#)
- [816C Silver Copper Fluorosilicone](#)
- [815D Silver Aluminum Fluorosilicone](#)
- [808E Pure Silver Silicone, 65 Duro](#)
- [818F Pure Silver Fluorosilicone](#)
- [808H Pure Silver Silicone, 80 Duro](#)
- [806K Silver Copper Silicone, 85 Duro](#)
- [804L Silver Nickel Silicone](#)
- [803M Silver Glass Silicone](#)
- [801 Carbon Silicone](#)
- [802 Nickel Graphite Silicone](#)
- [812 Nickel Graphite Fluorosilicone](#)



- SOLID ROUND
- HOLLOW ROUND
- SOLID RECTANGLE
- SOLID D PROFILE
- HOLLOW D PROFILE
- P PROFILE
- U PROFILE

**Material 808H - Solid Round**

[Material 808H Data Sheet](#)

MIL SPEC No.	NJB Part No.	Dimension D (mm)	RFQ or Information
M83528/001H001	808H-0201	.040 (1.02)	<a href="#">✉</a>
M83528/001H002	808H-0202	.053 (1.35)	<a href="#">✉</a>
M83528/001H003	808H-0203	.062 (1.57)	<a href="#">✉</a>
M83528/001H004	808H-0204	.070 (1.78)	<a href="#">✉</a>
M83528/001H005	808H-0212	.080 (2.03)	<a href="#">✉</a>
M83528/001H006	808H-0205	.093 (2.36)	<a href="#">✉</a>
M83528/001H007	808H-0206	.103 (2.62)	<a href="#">✉</a>
M83528/001H008	808H-0207	.119 (3.02)	<a href="#">✉</a>
M83528/001H009	808H-0208	.125 (3.18)	<a href="#">✉</a>
M83528/001H010	808H-0209	.139 (3.53)	<a href="#">✉</a>
M83528/001H011	808H-0217	.188 (4.78)	<a href="#">✉</a>
M83528/001H012	808H-0210	.216 (5.49)	<a href="#">✉</a>
M83528/001H013	808H-0211	.250 (6.35)	<a href="#">✉</a>

**Material 806K – Solid Round**

[Material 806K Data Sheet](#)

MIL SPEC No.	NJB Part No.	Dimension D (mm)	RFQ or Information
M83528/001K001	806K-0201	.040 (1.02)	<a href="#">✉</a>
M83528/001K002	806K-0202	.053 (1.35)	<a href="#">✉</a>
M83528/001K003	806K-0203	.062 (1.57)	<a href="#">✉</a>
M83528/001K004	806K-0204	.070 (1.78)	<a href="#">✉</a>
M83528/001K005	806K-0212	.080 (2.03)	<a href="#">✉</a>
M83528/001K006	806K-0205	.093 (2.36)	<a href="#">✉</a>
M83528/001K007	806K-0206	.103 (2.62)	<a href="#">✉</a>
M83528/001K008	806K-0207	.119 (3.02)	<a href="#">✉</a>
M83528/001K009	806K-0208	.125 (3.18)	<a href="#">✉</a>
M83528/001K010	806K-0209	.139 (3.53)	<a href="#">✉</a>
M83528/001K011	806K-0217	.188 (4.78)	<a href="#">✉</a>
M83528/001K012	806K-0210	.216 (5.49)	<a href="#">✉</a>
M83528/001K013	806K-0211	.250 (6.35)	<a href="#">✉</a>

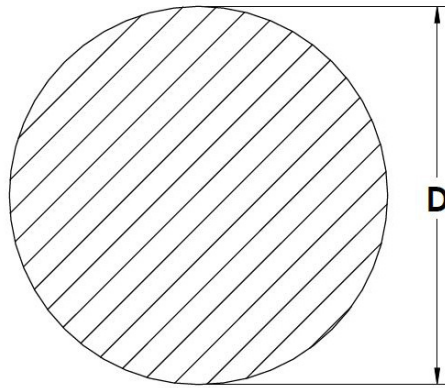


[Back to Home Page](#)

I need assistance.  
Please contact me.

### GO TO SOLID ROUND MATERIAL

- [806A Silver Copper Silicone, 65 Duro](#)
- [805B Silver Aluminum Silicone](#)
- [816C Silver Copper Fluorosilicone](#)
- [815D Silver Aluminum Fluorosilicone](#)
- [808E Pure Silver Silicone, 65 Duro](#)
- [818F Pure Silver Fluorosilicone](#)
- [808H Pure Silver Silicone, 80 Duro](#)
- [806K Silver Copper Silicone, 85 Duro](#)
- 804L Silver Nickel Silicone**
- 803M Silver Glass Silicone**
- [801 Carbon Silicone](#)
- [802 Nickel Graphite Silicone](#)
- [812 Nickel Graphite Fluorosilicone](#)



- SOLID ROUND
- HOLLOW ROUND
- SOLID RECTANGLE
- SOLID D PROFILE
- HOLLOW D PROFILE
- P PROFILE
- U PROFILE

#### Material 804L - Solid Round

[Material 804L Data Sheet](#)

MIL SPEC No.	NJB Part No.	Dimension D (mm)	RFQ or Information
M83528/001L001	804-0201	.040 (1.02)	<a href="#">✉</a>
M83528/001L002	804-0202	.053 (1.35)	<a href="#">✉</a>
M83528/001L003	804-0203	.062 (1.57)	<a href="#">✉</a>
M83528/001L004	804-0204	.070 (1.78)	<a href="#">✉</a>
M83528/001L005	804-0212	.080 (2.03)	<a href="#">✉</a>
M83528/001L006	804-0205	.093 (2.36)	<a href="#">✉</a>
M83528/001L007	804-0206	.103 (2.62)	<a href="#">✉</a>
M83528/001L008	804-0207	.119 (3.02)	<a href="#">✉</a>
M83528/001L009	804-0208	.125 (3.18)	<a href="#">✉</a>
M83528/001L010	804-0209	.139 (3.53)	<a href="#">✉</a>
M83528/001L011	804-0217	.188 (4.78)	<a href="#">✉</a>
M83528/001L012	804-0210	.216 (5.49)	<a href="#">✉</a>
M83528/001L013	804-0211	.250 (6.35)	<a href="#">✉</a>

#### Material 803M - Solid Round

[Material 803M Data Sheet](#)

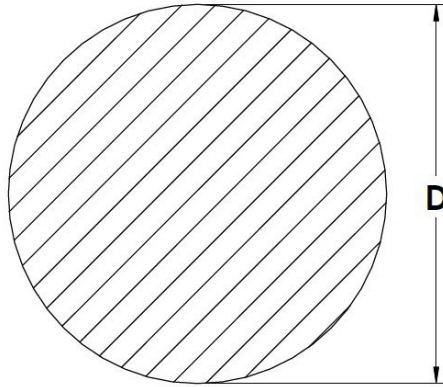
MIL SPEC No.	NJB Part No.	Dimension D (mm)	RFQ or Information
M83528/001M001	803-0201	.040 (1.02)	<a href="#">✉</a>
M83528/001M002	803-0202	.053 (1.35)	<a href="#">✉</a>
M83528/001M003	803-0203	.062 (1.57)	<a href="#">✉</a>
M83528/001M004	803-0204	.070 (1.78)	<a href="#">✉</a>
M83528/001M005	803-0212	.080 (2.03)	<a href="#">✉</a>
M83528/001M006	803-0205	.093 (2.36)	<a href="#">✉</a>
M83528/001M007	803-0206	.103 (2.62)	<a href="#">✉</a>
M83528/001M008	803-0207	.119 (3.02)	<a href="#">✉</a>
M83528/001M009	803-0208	.125 (3.18)	<a href="#">✉</a>
M83528/001M010	803-0209	.139 (3.53)	<a href="#">✉</a>
M83528/001M011	803-0217	.188 (4.78)	<a href="#">✉</a>
M83528/001M012	803-0210	.216 (5.49)	<a href="#">✉</a>
M83528/001M013	803-0211	.250 (6.35)	<a href="#">✉</a>

[Back to Home Page](#)

I need assistance.  
Please contact me.

**GO TO SOLID ROUND MATERIAL**

- [806A Silver Copper Silicone, 65 Duro](#)
- [805B Silver Aluminum Silicone](#)
- [816C Silver Copper Fluorosilicone](#)
- [815D Silver Aluminum Fluorosilicone](#)
- [808E Pure Silver Silicone, 65 Duro](#)
- [818F Pure Silver Fluorosilicone](#)
- [808H Pure Silver Silicone, 80 Duro](#)
- [806K Silver Copper Silicone, 85 Duro](#)
- [804L Silver Nickel Silicone](#)
- [803M Silver Glass Silicone](#)
- 801 Carbon Silicone**
- 802 Nickel Graphite Silicone**
- [812 Nickel Graphite Fluorosilicone](#)



- SOLID ROUND
- HOLLOW ROUND
- SOLID RECTANGLE
- SOLID D PROFILE
- HOLLOW D PROFILE
- P PROFILE
- U PROFILE

**Material 801 - Solid Round**

[Material 801 Data Sheet](#)

MIL SPEC No.	NJB Part No.	Dimension D (mm)	RFQ or Information
N/A	801-0201	.040 (1.02)	<input type="checkbox"/>
N/A	801-0202	.053 (1.35)	<input type="checkbox"/>
N/A	801-0203	.062 (1.57)	<input type="checkbox"/>
N/A	801-0204	.070 (1.78)	<input type="checkbox"/>
N/A	801-0212	.080 (2.03)	<input type="checkbox"/>
N/A	801-0205	.093 (2.36)	<input type="checkbox"/>
N/A	801-0206	.103 (2.62)	<input type="checkbox"/>
N/A	801-0207	.119 (3.02)	<input type="checkbox"/>
N/A	801-0208	.125 (3.18)	<input type="checkbox"/>
N/A	801-0209	.139 (3.53)	<input type="checkbox"/>
N/A	801-0217	.188 (4.78)	<input type="checkbox"/>
N/A	801-0210	.216 (5.49)	<input type="checkbox"/>
N/A	801-0211	.250 (6.35)	<input type="checkbox"/>

**Material 802 – Solid Round**

[Material 802 Data Sheet](#)

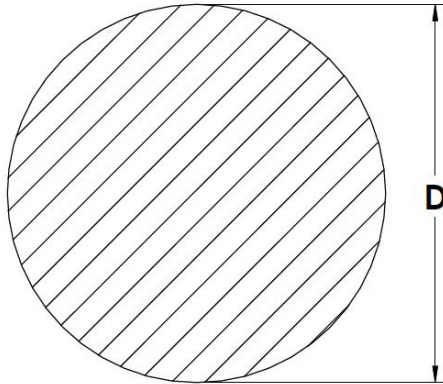
MIL SPEC No.	NJB Part No.	Dimension D (mm)	RFQ or Information
N/A	802-0201	.040 (1.02)	<input type="checkbox"/>
N/A	802-0202	.053 (1.35)	<input type="checkbox"/>
N/A	802-0203	.062 (1.57)	<input type="checkbox"/>
N/A	802-0204	.070 (1.78)	<input type="checkbox"/>
N/A	802-0212	.080 (2.03)	<input type="checkbox"/>
N/A	802-0205	.093 (2.36)	<input type="checkbox"/>
N/A	802-0206	.103 (2.62)	<input type="checkbox"/>
N/A	802-0207	.119 (3.02)	<input type="checkbox"/>
N/A	802-0208	.125 (3.18)	<input type="checkbox"/>
N/A	802-0209	.139 (3.53)	<input type="checkbox"/>
N/A	802-0217	.188 (4.78)	<input type="checkbox"/>
N/A	802-0210	.216 (5.49)	<input type="checkbox"/>
N/A	802-0211	.250 (6.35)	<input type="checkbox"/>

[Back to Home Page](#)

I need assistance.  
Please contact me.

**GO TO SOLID ROUND MATERIAL**

- [806A Silver Copper Silicone, 65 Duro](#)
- [805B Silver Aluminum Silicone](#)
- [816C Silver Copper Fluorosilicone](#)
- [815D Silver Aluminum Fluorosilicone](#)
- [808E Pure Silver Silicone, 65 Duro](#)
- [818F Pure Silver Fluorosilicone](#)
- [808H Pure Silver Silicone, 80 Duro](#)
- [806K Silver Copper Silicone, 85 Duro](#)
- [804L Silver Nickel Silicone](#)
- [803M Silver Glass Silicone](#)
- [801 Carbon Silicone](#)
- [802 Nickel Graphite Silicone](#)
- [812 Nickel Graphite Fluorosilicone](#)**



- SOLID ROUND
- HOLLOW ROUND
- SOLID RECTANGLE
- SOLID D PROFILE
- HOLLOW D PROFILE
- P PROFILE
- U PROFILE

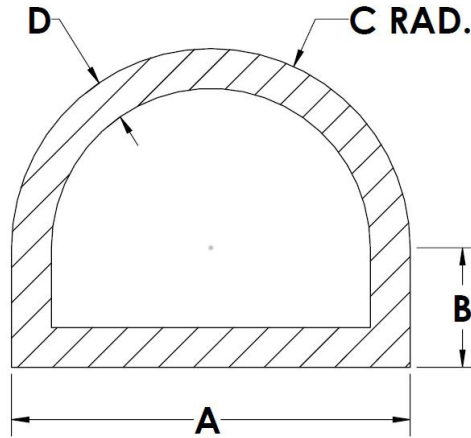
**Material 812 - Solid Round**

[Material 812 Data Sheet](#)

MIL SPEC No.	NJB Part No.	Dimension D (mm)	RFQ or Information
N/A	812-0201	.040 (1.02)	<input type="checkbox"/>
N/A	812-0202	.053 (1.35)	<input type="checkbox"/>
N/A	812-0203	.062 (1.57)	<input type="checkbox"/>
N/A	812-0204	.070 (1.78)	<input type="checkbox"/>
N/A	812-0212	.080 (2.03)	<input type="checkbox"/>
N/A	812-0205	.093 (2.36)	<input type="checkbox"/>
N/A	812-0206	.103 (2.62)	<input type="checkbox"/>
N/A	812-0207	.119 (3.02)	<input type="checkbox"/>
N/A	812-0208	.125 (3.18)	<input type="checkbox"/>
N/A	812-0209	.139 (3.53)	<input type="checkbox"/>
N/A	812-0217	.188 (4.78)	<input type="checkbox"/>
N/A	812-0210	.216 (5.49)	<input type="checkbox"/>
N/A	812-0211	.250 (6.35)	<input type="checkbox"/>

**GO TO HOLLOW ROUND MATERIAL**

- [806A Silver Copper Silicone, 65 Duro](#)
- [805B Silver Aluminum Silicone](#)
- [816C Silver Copper Fluorosilicone](#)
- [815D Silver Aluminum Fluorosilicone](#)
- [808E Pure Silver Silicone, 65 Duro](#)
- [818F Pure Silver Fluorosilicone](#)
- [808H Pure Silver Silicone, 80 Duro](#)
- [806K Silver Copper Silicone, 85 Duro](#)
- [804L Silver Nickel Silicone](#)
- [803M Silver Glass Silicone](#)
- [801 Carbon Silicone](#)
- [802 Nickel Graphite Silicone](#)
- [812 Nickel Graphite Fluorosilicone](#)



- SOLID ROUND
- HOLLOW ROUND
- SOLID RECTANGLE
- SOLID D PROFILE
- HOLLOW D PROFILE
- P PROFILE
- U PROFILE

**Material 806A – Hollow Round**

[Material 806A Data Sheet](#)

MIL SPEC No.	NJB Part No.	Dimension OD (mm)	Dimension ID (mm)	RFQ or Information
M83528/011A001	806A-0220	0.125 (3.18)	0.045 (1.14)	<a href="#">✉</a>
M83528/011A002	806A-0221	0.156 (3.96)	0.050 (1.27)	<a href="#">✉</a>
M83528/011A003	806A-0222	0.250 (6.35)	0.125 (3.18)	<a href="#">✉</a>
M83528/011A004	806A-0223	0.312 (7.92)	0.192 (4.88)	<a href="#">✉</a>
M83528/011A005	806A-0224	0.375 (9.53)	0.250 (6.35)	<a href="#">✉</a>
M83528/011A006	806A-0229	0.125 (3.18)	0.062 (1.57)	<a href="#">✉</a>
M83528/011A007	806A-0228	0.103 (2.62)	0.040 (1.02)	<a href="#">✉</a>
M83528/011A008	806A-0230	0.177 (4.50)	0.079 (2.01)	<a href="#">✉</a>

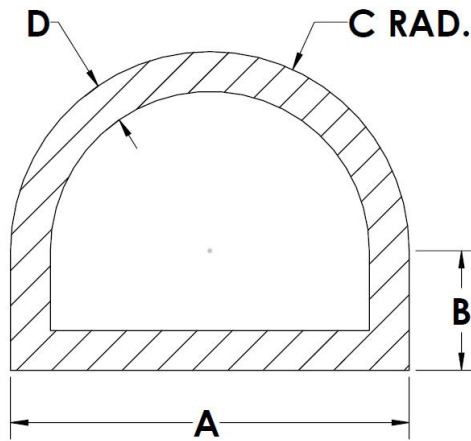
**Material 805B – Hollow Round**

[Material 805B Data Sheet](#)

MIL SPEC No.	NJB Part No.	Dimension OD (mm)	Dimension ID (mm)	RFQ or Information
M83528/011B001	805-0220	0.125 (3.18)	0.045 (1.14)	<a href="#">✉</a>
M83528/011B002	805-0221	0.156 (3.96)	0.050 (1.27)	<a href="#">✉</a>
M83528/011B003	805-0222	0.250 (6.35)	0.125 (3.18)	<a href="#">✉</a>
M83528/011B004	805-0223	0.312 (7.92)	0.192 (4.88)	<a href="#">✉</a>
M83528/011B005	805-0224	0.375 (9.53)	0.250 (6.35)	<a href="#">✉</a>
M83528/011B006	805-0229	0.125 (3.18)	0.062 (1.57)	<a href="#">✉</a>
M83528/011B007	805-0228	0.103 (2.62)	0.040 (1.02)	<a href="#">✉</a>
M83528/011B008	805-0230	0.177 (4.50)	0.079 (2.01)	<a href="#">✉</a>

**GO TO HOLLOW ROUND MATERIAL**

- [806A Silver Copper Silicone, 65 Duro](#)
- [805B Silver Aluminum Silicone](#)
- [816C Silver Copper Fluorosilicone](#)**
- [815D Silver Aluminum Fluorosilicone](#)**
- [808E Pure Silver Silicone, 65 Duro](#)
- [818F Pure Silver Fluorosilicone](#)
- [808H Pure Silver Silicone, 80 Duro](#)
- [806K Silver Copper Silicone, 85 Duro](#)
- [804L Silver Nickel Silicone](#)
- [803M Silver Glass Silicone](#)
- [801 Carbon Silicone](#)
- [802 Nickel Graphite Silicone](#)
- [812 Nickel Graphite Fluorosilicone](#)



- SOLID ROUND
- HOLLOW ROUND**
- SOLID RECTANGLE
- SOLID D PROFILE
- HOLLOW D PROFILE
- P PROFILE
- U PROFILE

**Material 816C – Hollow Round**

[Material 816C Data Sheet](#)

MIL SPEC No.	NJB Part No.	Dimension OD (mm)	Dimension ID (mm)	RFQ or Information
M83528/011C001	816-0220	0.125 (3.18)	0.045 (1.14)	
M83528/011C002	816-0221	0.156 (3.96)	0.050 (1.27)	
M83528/011C003	816-0222	0.250 (6.35)	0.125 (3.18)	
M83528/011C004	816-0223	0.312 (7.92)	0.192 (4.88)	
M83528/011C005	816-0224	0.375 (9.53)	0.250 (6.35)	
M83528/011C006	816-0229	0.125 (3.18)	0.062 (1.57)	
M83528/011C007	816-0228	0.103 (2.62)	0.040 (1.02)	
M83528/011C008	816-0230	0.177 (4.50)	0.079 (2.01)	

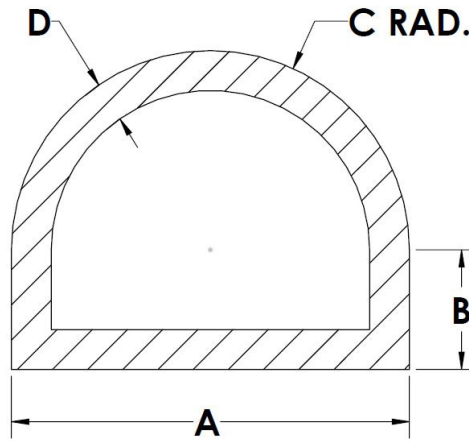
**Material 815D – Hollow Round**

[Material 815D Data Sheet](#)

MIL SPEC No.	NJB Part No.	Dimension OD (mm)	Dimension ID (mm)	RFQ or Information
M83528/011D001	815-0220	0.125 (3.18)	0.045 (1.14)	
M83528/011D002	815-0221	0.156 (3.96)	0.050 (1.27)	
M83528/011D003	815-0222	0.250 (6.35)	0.125 (3.18)	
M83528/011D004	815-0223	0.312 (7.92)	0.192 (4.88)	
M83528/011D005	815-0224	0.375 (9.53)	0.250 (6.35)	
M83528/011D006	815-0229	0.125 (3.18)	0.062 (1.57)	
M83528/011D007	815-0228	0.103 (2.62)	0.040 (1.02)	
M83528/011D008	815-0230	0.177 (4.50)	0.079 (2.01)	

**GO TO HOLLOW ROUND MATERIAL**

- [806A Silver Copper Silicone, 65 Duro](#)
- [805B Silver Aluminum Silicone](#)
- [816C Silver Copper Fluorosilicone](#)
- [815D Silver Aluminum Fluorosilicone](#)
- [808E Pure Silver Silicone, 65 Duro](#)**
- [818F Pure Silver Fluorosilicone](#)**
- [808H Pure Silver Silicone, 80 Duro](#)
- [806K Silver Copper Silicone, 85 Duro](#)
- [804L Silver Nickel Silicone](#)
- [803M Silver Glass Silicone](#)
- [801 Carbon Silicone](#)
- [802 Nickel Graphite Silicone](#)
- [812 Nickel Graphite Fluorosilicone](#)



- SOLID ROUND
- HOLLOW ROUND**
- SOLID RECTANGLE
- SOLID D PROFILE
- HOLLOW D PROFILE
- P PROFILE
- U PROFILE

**Material 808E – Hollow Round**

[Material 808E Data Sheet](#)

MIL SPEC No.	NJB Part No.	Dimension OD (mm)	Dimension ID (mm)	RFQ or Information
M83528/011E001	808E-0220	0.125 (3.18)	0.045 (1.14)	<input type="checkbox"/>
M83528/011E002	808E-0221	0.156 (3.96)	0.050 (1.27)	<input type="checkbox"/>
M83528/011E003	808E-0222	0.250 (6.35)	0.125 (3.18)	<input type="checkbox"/>
M83528/011E004	808E-0223	0.312 (7.92)	0.192 (4.88)	<input type="checkbox"/>
M83528/011E005	808E-0224	0.375 (9.53)	0.250 (6.35)	<input type="checkbox"/>
M83528/011E006	808E-0229	0.125 (3.18)	0.062 (1.57)	<input type="checkbox"/>
M83528/011E007	808E-0228	0.103 (2.62)	0.040 (1.02)	<input type="checkbox"/>
M83528/011E008	808E-0230	0.177 (4.50)	0.079 (2.01)	<input type="checkbox"/>

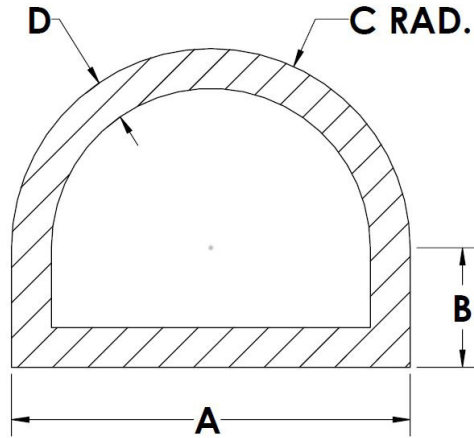
**Material 818F – Hollow Round**

[Material 818F Data Sheet](#)

MIL SPEC No.	NJB Part No.	Dimension OD (mm)	Dimension ID (mm)	RFQ or Information
M83528/011F001	818-0220	0.125 (3.18)	0.045 (1.14)	<input type="checkbox"/>
M83528/011F002	818-0221	0.156 (3.96)	0.050 (1.27)	<input type="checkbox"/>
M83528/011F003	818-0222	0.250 (6.35)	0.125 (3.18)	<input type="checkbox"/>
M83528/011F004	818-0223	0.312 (7.92)	0.192 (4.88)	<input type="checkbox"/>
M83528/011F005	818-0224	0.375 (9.53)	0.250 (6.35)	<input type="checkbox"/>
M83528/011F006	818-0229	0.125 (3.18)	0.062 (1.57)	<input type="checkbox"/>
M83528/011F007	818-0228	0.103 (2.62)	0.040 (1.02)	<input type="checkbox"/>
M83528/011F008	818-0230	0.177 (4.50)	0.079 (2.01)	<input type="checkbox"/>

**GO TO HOLLOW ROUND MATERIAL**

- [806A Silver Copper Silicone, 65 Duro](#)
- [805B Silver Aluminum Silicone](#)
- [816C Silver Copper Fluorosilicone](#)
- [815D Silver Aluminum Fluorosilicone](#)
- [808E Pure Silver Silicone, 65 Duro](#)
- [818F Pure Silver Fluorosilicone](#)
- [808H Pure Silver Silicone, 80 Duro](#)
- [806K Silver Copper Silicone, 85 Duro](#)
- [804L Silver Nickel Silicone](#)
- [803M Silver Glass Silicone](#)
- [801 Carbon Silicone](#)
- [802 Nickel Graphite Silicone](#)
- [812 Nickel Graphite Fluorosilicone](#)



- SOLID ROUND
- HOLLOW ROUND
- SOLID RECTANGLE
- SOLID D PROFILE
- HOLLOW D PROFILE
- P PROFILE
- U PROFILE

**Material 808H – Hollow Round**

[Material 808H Data Sheet](#)

MIL SPEC No.	NJB Part No.	Dimension OD (mm)	Dimension ID (mm)	RFQ or Information
M83528/011H001	808H-0220	0.125 (3.18)	0.045 (1.14)	<input type="checkbox"/>
M83528/011H002	808H-0221	0.156 (3.96)	0.050 (1.27)	<input type="checkbox"/>
M83528/011H003	808H-0222	0.250 (6.35)	0.125 (3.18)	<input type="checkbox"/>
M83528/011H004	808H-0223	0.312 (7.92)	0.192 (4.88)	<input type="checkbox"/>
M83528/011H005	808H-0224	0.375 (9.53)	0.250 (6.35)	<input type="checkbox"/>
M83528/011H006	808H-0229	0.125 (3.18)	0.062 (1.57)	<input type="checkbox"/>
M83528/011H007	808H-0228	0.103 (2.62)	0.040 (1.02)	<input type="checkbox"/>
M83528/011H008	808H-0230	0.177 (4.50)	0.079 (2.01)	<input type="checkbox"/>

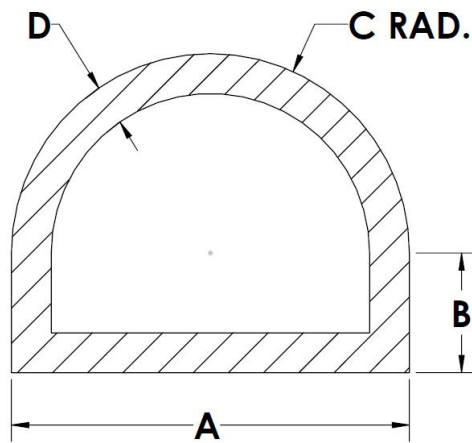
**Material 806K – Hollow Round**

[Material 806K Data Sheet](#)

MIL SPEC No.	NJB Part No.	Dimension OD (mm)	Dimension ID (mm)	RFQ or Information
M83528/011K001	806K-0220	0.125 (3.18)	0.045 (1.14)	<input type="checkbox"/>
M83528/011K002	806K-0221	0.156 (3.96)	0.050 (1.27)	<input type="checkbox"/>
M83528/011K003	806K-0222	0.250 (6.35)	0.125 (3.18)	<input type="checkbox"/>
M83528/011K004	806K-0223	0.312 (7.92)	0.192 (4.88)	<input type="checkbox"/>
M83528/011K005	806K-0224	0.375 (9.53)	0.250 (6.35)	<input type="checkbox"/>
M83528/011K006	806K-0229	0.125 (3.18)	0.062 (1.57)	<input type="checkbox"/>
M83528/011K007	806K-0228	0.103 (2.62)	0.040 (1.02)	<input type="checkbox"/>
M83528/011K008	806K-0230	0.177 (4.50)	0.079 (2.01)	<input type="checkbox"/>

**GO TO HOLLOW ROUND MATERIAL**

- [806A Silver Copper Silicone, 65 Duro](#)
- [805B Silver Aluminum Silicone](#)
- [816C Silver Copper Fluorosilicone](#)
- [815D Silver Aluminum Fluorosilicone](#)
- [808E Pure Silver Silicone, 65 Duro](#)
- [818F Pure Silver Fluorosilicone](#)
- [808H Pure Silver Silicone, 80 Duro](#)
- [806K Silver Copper Silicone, 85 Duro](#)
- [804L Silver Nickel Silicone](#)**
- [803M Silver Glass Silicone](#)**
- [801 Carbon Silicone](#)
- [802 Nickel Graphite Silicone](#)
- [812 Nickel Graphite Fluorosilicone](#)



- SOLID ROUND
- HOLLOW ROUND**
- SOLID RECTANGLE
- SOLID D PROFILE
- HOLLOW D PROFILE
- P PROFILE
- U PROFILE

**Material 804L – Hollow Round**

[Material 804L Data Sheet](#)

MIL SPEC No.	NJB Part No.	Dimension OD (mm)	Dimension ID (mm)	RFQ or Information
M83528/011L001	804-0220	0.125 (3.18)	0.045 (1.14)	
M83528/011L002	804-0221	0.156 (3.96)	0.050 (1.27)	
M83528/011L003	804-0222	0.250 (6.35)	0.125 (3.18)	
M83528/011L004	804-0223	0.312 (7.92)	0.192 (4.88)	
M83528/011L005	804-0224	0.375 (9.53)	0.250 (6.35)	
M83528/011L006	804-0229	0.125 (3.18)	0.062 (1.57)	
M83528/011L007	804-0228	0.103 (2.62)	0.040 (1.02)	
M83528/011L008	804-0230	0.177 (4.50)	0.079 (2.01)	

**Material 803M – Hollow Round**

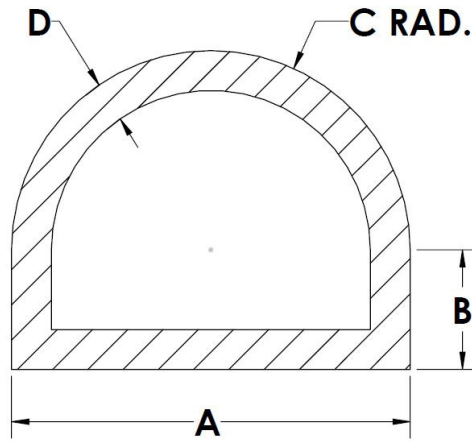
[Material 803M Data Sheet](#)

MIL SPEC No.	NJB Part No.	Dimension OD (mm)	Dimension ID (mm)	RFQ or Information
M83528/011M001	803-0220	0.125 (3.18)	0.045 (1.14)	
M83528/011M002	803-0221	0.156 (3.96)	0.050 (1.27)	
M83528/011M003	803-0222	0.250 (6.35)	0.125 (3.18)	
M83528/011M004	803-0223	0.312 (7.92)	0.192 (4.88)	
M83528/011M005	803-0224	0.375 (9.53)	0.250 (6.35)	
M83528/011M006	803-0229	0.125 (3.18)	0.062 (1.57)	
M83528/011M007	803-0228	0.103 (2.62)	0.040 (1.02)	
M83528/011M008	803-0230	0.177 (4.50)	0.079 (2.01)	



**GO TO HOLLOW ROUND MATERIAL**

- [806A Silver Copper Silicone, 65 Duro](#)
- [805B Silver Aluminum Silicone](#)
- [816C Silver Copper Fluorosilicone](#)
- [815D Silver Aluminum Fluorosilicone](#)
- [808E Pure Silver Silicone, 65 Duro](#)
- [818F Pure Silver Fluorosilicone](#)
- [808H Pure Silver Silicone, 80 Duro](#)
- [806K Silver Copper Silicone, 85 Duro](#)
- [804L Silver Nickel Silicone](#)
- [803M Silver Glass Silicone](#)
- 801 Carbon Silicone**
- 802 Nickel Graphite Silicone**
- [812 Nickel Graphite Fluorosilicone](#)



- SOLID ROUND
- HOLLOW ROUND
- SOLID RECTANGLE
- SOLID D PROFILE
- HOLLOW D PROFILE
- P PROFILE
- U PROFILE

**Material 801 – Hollow Round**

[Material 801 Data Sheet](#)

MIL SPEC No.	NJB Part No.	Dimension OD (mm)	Dimension ID (mm)	RFQ or Information
N/A	801-0220	0.125 (3.18)	0.045 (1.14)	<input type="checkbox"/>
N/A	801-0221	0.156 (3.96)	0.050 (1.27)	<input type="checkbox"/>
N/A	801-0222	0.250 (6.35)	0.125 (3.18)	<input type="checkbox"/>
N/A	801-0223	0.312 (7.92)	0.192 (4.88)	<input type="checkbox"/>
N/A	801-0224	0.375 (9.53)	0.250 (6.35)	<input type="checkbox"/>
N/A	801-0229	0.125 (3.18)	0.062 (1.57)	<input type="checkbox"/>
N/A	801-0228	0.103 (2.62)	0.040 (1.02)	<input type="checkbox"/>
N/A	801-0230	0.177 (4.50)	0.079 (2.01)	<input type="checkbox"/>

**Material 802 – Hollow Round**

[Material 802 Data Sheet](#)

MIL SPEC No.	NJB Part No.	Dimension OD (mm)	Dimension ID (mm)	RFQ or Information
N/A	802-0220	0.125 (3.18)	0.045 (1.14)	<input type="checkbox"/>
N/A	802-0221	0.156 (3.96)	0.050 (1.27)	<input type="checkbox"/>
N/A	802-0222	0.250 (6.35)	0.125 (3.18)	<input type="checkbox"/>
N/A	802-0223	0.312 (7.92)	0.192 (4.88)	<input type="checkbox"/>
N/A	802-0224	0.375 (9.53)	0.250 (6.35)	<input type="checkbox"/>
N/A	802-0229	0.125 (3.18)	0.062 (1.57)	<input type="checkbox"/>
N/A	802-0228	0.103 (2.62)	0.040 (1.02)	<input type="checkbox"/>
N/A	802-0230	0.177 (4.50)	0.079 (2.01)	<input type="checkbox"/>

[Back to Home Page](#)

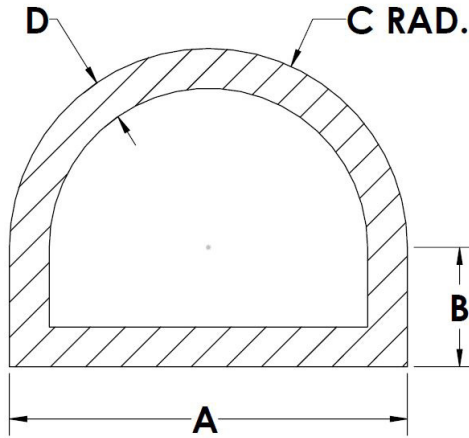
# JABAR®

## HOLLOW ROUND EXTRUSION | MATERIAL 812

I need assistance.  
Please contact me.

### GO TO HOLLOW ROUND MATERIAL

- [806A Silver Copper Silicone, 65 Duro](#)
- [805B Silver Aluminum Silicone](#)
- [816C Silver Copper Fluorosilicone](#)
- [815D Silver Aluminum Fluorosilicone](#)
- [808E Pure Silver Silicone, 65 Duro](#)
- [818F Pure Silver Fluorosilicone](#)
- [808H Pure Silver Silicone, 80 Duro](#)
- [806K Silver Copper Silicone, 85 Duro](#)
- [804L Silver Nickel Silicone](#)
- [803M Silver Glass Silicone](#)
- [801 Carbon Silicone](#)
- [802 Nickel Graphite Silicone](#)
- [812 Nickel Graphite Fluorosilicone](#)



- SOLID ROUND
- HOLLOW ROUND
- SOLID RECTANGLE
- SOLID D PROFILE
- HOLLOW D PROFILE
- P PROFILE
- U PROFILE

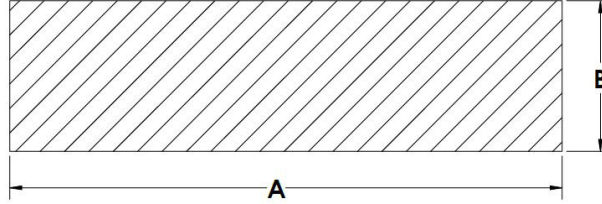
### Material 812 – Hollow Round

[Material 812 Data Sheet](#)

MIL SPEC No.	NJB Part No.	Dimension OD (mm)	Dimension ID (mm)	RFQ or Information
N/A	812-0220	0.125 (3.18)	0.045 (1.14)	<a href="#">✉</a>
N/A	812-0221	0.156 (3.96)	0.050 (1.27)	<a href="#">✉</a>
N/A	812-0222	0.250 (6.35)	0.125 (3.18)	<a href="#">✉</a>
N/A	812-0223	0.312 (7.92)	0.192 (4.88)	<a href="#">✉</a>
N/A	812-0224	0.375 (9.53)	0.250 (6.35)	<a href="#">✉</a>
N/A	812-0229	0.125 (3.18)	0.062 (1.57)	<a href="#">✉</a>
N/A	812-0228	0.103 (2.62)	0.040 (1.02)	<a href="#">✉</a>
N/A	812-0230	0.177 (4.50)	0.079 (2.01)	<a href="#">✉</a>

**GO TO SOLID RECTANGULAR MATERIAL**

- [806A Silver Copper Silicone, 65 Duro](#)
- [805B Silver Aluminum Silicone](#)
- [816C Silver Copper Fluorosilicone](#)
- [815D Silver Aluminum Fluorosilicone](#)
- [808E Pure Silver Silicone, 65 Duro](#)
- [818F Pure Silver Fluorosilicone](#)
- [808H Pure Silver Silicone, 80 Duro](#)
- [806K Silver Copper Silicone, 85 Duro](#)
- [804L Silver Nickel Silicone](#)
- [803M Silver Glass Silicone](#)
- [801 Carbon Silicone](#)
- [802 Nickel Graphite Silicone](#)
- [812 Nickel Graphite Fluorosilicone](#)



- [SOLID ROUND](#)
- [HOLLOW ROUND](#)
- [SOLID RECTANGLE](#)
- [SOLID D PROFILE](#)
- [HOLLOW D PROFILE](#)
- [P PROFILE](#)
- [U PROFILE](#)

**Material 806A – Solid Rectangle** [Material 806A Data Sheet](#)

MIL SPEC No.	NJB Part No.	Dimension OD (mm)	Dimension ID (mm)	RFQ or Information
M83528/009A001	806A-0301	0.063 (1.60)	0.042 (1.07)	<a href="#">✉</a>
M83528/009A002	806A-0302	0.095 (2.41)	0.062 (1.57)	<a href="#">✉</a>
M83528/009A003	806A-0303	0.120 (3.05)	0.075 (1.91)	<a href="#">✉</a>
M83528/009A004	806A-0304	0.125 (3.18)	0.062 (1.57)	<a href="#">✉</a>
M83528/009A005	806A-0305	0.156 (3.96)	0.062 (1.57)	<a href="#">✉</a>
M83528/009A006	806A-0306	0.250 (6.35)	0.062 (1.57)	<a href="#">✉</a>
M83528/009A007	806A-0307	0.500 (12.70)	0.062 (1.57)	<a href="#">✉</a>
M83528/009A008	806A-0308	0.500 (12.70)	0.075 (1.91)	<a href="#">✉</a>
M83528/009A009	806A-0309	0.500 (12.70)	0.188 (4.78)	<a href="#">✉</a>
M83528/009A010	806A-0310	0.750 (19.05)	0.062 (1.57)	<a href="#">✉</a>
M83528/009A011	806A-0311	0.880 (22.35)	0.062 (1.57)	<a href="#">✉</a>
M83528/009A012	806A-0312	1.000 (25.40)	0.250 (6.35)	<a href="#">✉</a>
M83528/009A013	806A-0313	1.180 (29.97)	0.062 (1.57)	<a href="#">✉</a>

**Material 805B – Solid Rectangle** [Material 805B Data Sheet](#)

MIL SPEC No.	NJB Part No.	Dimension OD (mm)	Dimension ID (mm)	RFQ or Information
M83528/009B001	805-0301	0.063 (1.60)	0.042 (1.07)	<a href="#">✉</a>
M83528/009B002	805-0302	0.095 (2.41)	0.062 (1.57)	<a href="#">✉</a>
M83528/009B003	805-0303	0.120 (3.05)	0.075 (1.91)	<a href="#">✉</a>
M83528/009B004	805-0304	0.125 (3.18)	0.062 (1.57)	<a href="#">✉</a>
M83528/009B005	805-0305	0.156 (3.96)	0.062 (1.57)	<a href="#">✉</a>
M83528/009B006	805-0306	0.250 (6.35)	0.062 (1.57)	<a href="#">✉</a>
M83528/009B007	805-0307	0.500 (12.70)	0.062 (1.57)	<a href="#">✉</a>
M83528/009B008	805-0308	0.500 (12.70)	0.075 (1.91)	<a href="#">✉</a>
M83528/009B009	805-0309	0.500 (12.70)	0.188 (4.78)	<a href="#">✉</a>
M83528/009B010	805-0310	0.750 (19.05)	0.062 (1.57)	<a href="#">✉</a>
M83528/009B011	805-0311	0.880 (22.35)	0.062 (1.57)	<a href="#">✉</a>
M83528/009B012	805-0312	1.000 (25.40)	0.250 (6.35)	<a href="#">✉</a>
M83528/009B013	805-0313	1.180 (29.97)	0.062 (1.57)	<a href="#">✉</a>

[Back to Home Page](#)

# JABAR®

## SOLID RECTANGLE EXTRUSION

I need assistance.  
Please contact me.

### GO TO SOLID RECTANGULAR MATERIAL

[806A Silver Copper Silicone, 65 Duro](#)

[805B Silver Aluminum Silicone](#)

[816C Silver Copper Fluorosilicone](#)

[815D Silver Aluminum Fluorosilicone](#)

[808E Pure Silver Silicone, 65 Duro](#)

[818F Pure Silver Fluorosilicone](#)

[808H Pure Silver Silicone, 80 Duro](#)

[806K Silver Copper Silicone, 85 Duro](#)

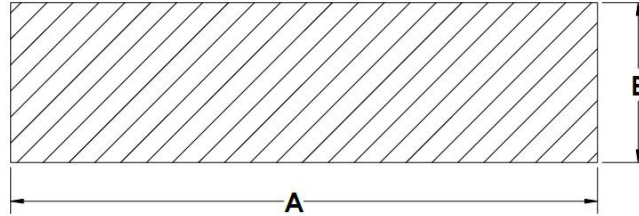
[804L Silver Nickel Silicone](#)

[803M Silver Glass Silicone](#)

[801 Carbon Silicone](#)

[802 Nickel Graphite Silicone](#)

[812 Nickel Graphite Fluorosilicone](#)



SOLID ROUND

HOLLOW ROUND

SOLID RECTANGLE

SOLID D PROFILE

HOLLOW D PROFILE

P PROFILE

U PROFILE

#### Material 816C – Solid Rectangle

[Material 816C Data Sheet](#)

MIL SPEC No.	NJB Part No.	Dimension OD (mm)	Dimension ID (mm)	RFQ or Information
M83528/009C001	816-0301	0.063 (1.60)	0.042 (1.07)	<a href="#">✉</a>
M83528/009C002	816-0302	0.095 (2.41)	0.062 (1.57)	<a href="#">✉</a>
M83528/009C003	816-0303	0.120 (3.05)	0.075 (1.91)	<a href="#">✉</a>
M83528/009C004	816-0304	0.125 (3.18)	0.062 (1.57)	<a href="#">✉</a>
M83528/009C005	816-0305	0.156 (3.96)	0.062 (1.57)	<a href="#">✉</a>
M83528/009C006	816-0306	0.250 (6.35)	0.062 (1.57)	<a href="#">✉</a>
M83528/009C007	816-0307	0.500 (12.70)	0.062 (1.57)	<a href="#">✉</a>
M83528/009C008	816-0308	0.500 (12.70)	0.075 (1.91)	<a href="#">✉</a>
M83528/009C009	816-0309	0.500 (12.70)	0.188 (4.78)	<a href="#">✉</a>
M83528/009C010	816-0310	0.750 (19.05)	0.062 (1.57)	<a href="#">✉</a>
M83528/009C011	816-0311	0.880 (22.35)	0.062 (1.57)	<a href="#">✉</a>
M83528/009C012	816-0312	1.000 (25.40)	0.250 (6.35)	<a href="#">✉</a>
M83528/009C013	816-0313	1.180 (29.97)	0.062 (1.57)	<a href="#">✉</a>

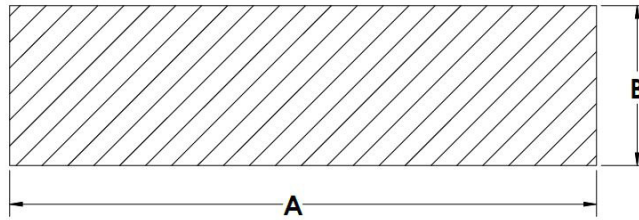
#### Material 815D – Solid Rectangle

[Material 815D Data Sheet](#)

MIL SPEC No.	NJB Part No.	Dimension OD (mm)	Dimension ID (mm)	RFQ or Information
M83528/009D001	815-0301	0.063 (1.60)	0.042 (1.07)	<a href="#">✉</a>
M83528/009D002	815-0302	0.095 (2.41)	0.062 (1.57)	<a href="#">✉</a>
M83528/009D003	815-0303	0.120 (3.05)	0.075 (1.91)	<a href="#">✉</a>
M83528/009D004	815-0304	0.125 (3.18)	0.062 (1.57)	<a href="#">✉</a>
M83528/009D005	815-0305	0.156 (3.96)	0.062 (1.57)	<a href="#">✉</a>
M83528/009D006	815-0306	0.250 (6.35)	0.062 (1.57)	<a href="#">✉</a>
M83528/009D007	815-0307	0.500 (12.70)	0.062 (1.57)	<a href="#">✉</a>
M83528/009D008	815-0308	0.500 (12.70)	0.075 (1.91)	<a href="#">✉</a>
M83528/009D009	815-0309	0.500 (12.70)	0.188 (4.78)	<a href="#">✉</a>
M83528/009D010	815-0310	0.750 (19.05)	0.062 (1.57)	<a href="#">✉</a>
M83528/009D011	815-0311	0.880 (22.35)	0.062 (1.57)	<a href="#">✉</a>
M83528/009D012	815-0312	1.000 (25.40)	0.250 (6.35)	<a href="#">✉</a>
M83528/009D013	815-0313	1.180 (29.97)	0.062 (1.57)	<a href="#">✉</a>

**GO TO SOLID RECTANGULAR MATERIAL**

- [806A Silver Copper Silicone, 65 Duro](#)
- [805B Silver Aluminum Silicone](#)
- [816C Silver Copper Fluorosilicone](#)
- [815D Silver Aluminum Fluorosilicone](#)
- [808E Pure Silver Silicone, 65 Duro](#)**
- [818F Pure Silver Fluorosilicone](#)**
- [808H Pure Silver Silicone, 80 Duro](#)
- [806K Silver Copper Silicone, 85 Duro](#)
- [804L Silver Nickel Silicone](#)
- [803M Silver Glass Silicone](#)
- [801 Carbon Silicone](#)
- [802 Nickel Graphite Silicone](#)
- [812 Nickel Graphite Fluorosilicone](#)



- SOLID ROUND
- HOLLOW ROUND
- SOLID RECTANGLE
- SOLID D PROFILE
- HOLLOW D PROFILE
- P PROFILE
- U PROFILE

**Material 808E – Solid Rectangle**

[Material 808E Data Sheet](#)

MIL SPEC No.	NJB Part No.	Dimension OD (mm)	Dimension ID (mm)	RFQ or Information
M83528/009E001	808E-0301	0.063 (1.60)	0.042 (1.07)	<input type="checkbox"/>
M83528/009E002	808E-0302	0.095 (2.41)	0.062 (1.57)	<input type="checkbox"/>
M83528/009E003	808E-0303	0.120 (3.05)	0.075 (1.91)	<input type="checkbox"/>
M83528/009E004	808E-0304	0.125 (3.18)	0.062 (1.57)	<input type="checkbox"/>
M83528/009E005	808E-0305	0.156 (3.96)	0.062 (1.57)	<input type="checkbox"/>
M83528/009E006	808E-0306	0.250 (6.35)	0.062 (1.57)	<input type="checkbox"/>
M83528/009E007	808E-0307	0.500 (12.70)	0.062 (1.57)	<input type="checkbox"/>
M83528/009E008	808E-0308	0.500 (12.70)	0.075 (1.91)	<input type="checkbox"/>
M83528/009E009	808E-0309	0.500 (12.70)	0.188 (4.78)	<input type="checkbox"/>
M83528/009E010	808E-0310	0.750 (19.05)	0.062 (1.57)	<input type="checkbox"/>
M83528/009E011	808E-0311	0.880 (22.35)	0.062 (1.57)	<input type="checkbox"/>
M83528/009E012	808E-0312	1.000 (25.40)	0.250 (6.35)	<input type="checkbox"/>
M83528/009E013	808E-0313	1.180 (29.97)	0.062 (1.57)	<input type="checkbox"/>

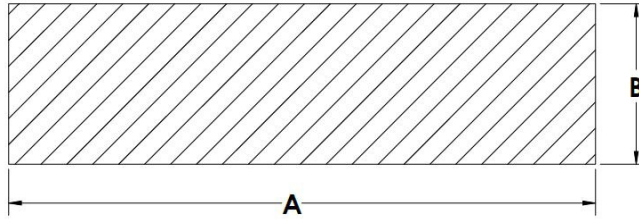
**Material 818F – Solid Rectangle**

[Material 818F Data Sheet](#)

MIL SPEC No.	NJB Part No.	Dimension OD (mm)	Dimension ID (mm)	RFQ or Information
M83528/009F001	818-0301	0.063 (1.60)	0.042 (1.07)	<input type="checkbox"/>
M83528/009F002	818-0302	0.095 (2.41)	0.062 (1.57)	<input type="checkbox"/>
M83528/009F003	818-0303	0.120 (3.05)	0.075 (1.91)	<input type="checkbox"/>
M83528/009F004	818-0304	0.125 (3.18)	0.062 (1.57)	<input type="checkbox"/>
M83528/009F005	818-0305	0.156 (3.96)	0.062 (1.57)	<input type="checkbox"/>
M83528/009F006	818-0306	0.250 (6.35)	0.062 (1.57)	<input type="checkbox"/>
M83528/009F007	818-0307	0.500 (12.70)	0.062 (1.57)	<input type="checkbox"/>
M83528/009F008	818-0308	0.500 (12.70)	0.075 (1.91)	<input type="checkbox"/>
M83528/009F009	818-0309	0.500 (12.70)	0.188 (4.78)	<input type="checkbox"/>
M83528/009F010	818-0310	0.750 (19.05)	0.062 (1.57)	<input type="checkbox"/>
M83528/009F011	818-0311	0.880 (22.35)	0.062 (1.57)	<input type="checkbox"/>
M83528/009F012	818-0312	1.000 (25.40)	0.250 (6.35)	<input type="checkbox"/>
M83528/009F013	818-0313	1.180 (29.97)	0.062 (1.57)	<input type="checkbox"/>

**GO TO SOLID RECTANGULAR MATERIAL**

- [806A Silver Copper Silicone, 65 Duro](#)
- [805B Silver Aluminum Silicone](#)
- [816C Silver Copper Fluorosilicone](#)
- [815D Silver Aluminum Fluorosilicone](#)
- [808E Pure Silver Silicone, 65 Duro](#)
- [818F Pure Silver Fluorosilicone](#)
- [808H Pure Silver Silicone, 80 Duro](#)
- [806K Silver Copper Silicone, 85 Duro](#)
- [804L Silver Nickel Silicone](#)
- [803M Silver Glass Silicone](#)
- [801 Carbon Silicone](#)
- [802 Nickel Graphite Silicone](#)
- [812 Nickel Graphite Fluorosilicone](#)



- SOLID ROUND
- HOLLOW ROUND
- SOLID RECTANGLE
- SOLID D PROFILE
- HOLLOW D PROFILE
- P PROFILE
- U PROFILE

**Material 808H – Solid Rectangle** [Material 808H Data Sheet](#)

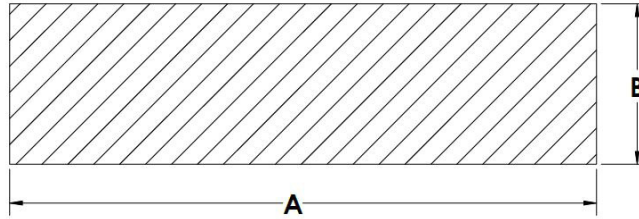
MIL SPEC No.	NJB Part No.	Dimension OD (mm)	Dimension ID (mm)	RFQ or Information
M83528/009H001	808H-0301	0.063 (1.60)	0.042 (1.07)	<input type="checkbox"/>
M83528/009H002	808H-0302	0.095 (2.41)	0.062 (1.57)	<input type="checkbox"/>
M83528/009H003	808H-0303	0.120 (3.05)	0.075 (1.91)	<input type="checkbox"/>
M83528/009H004	808H-0304	0.125 (3.18)	0.062 (1.57)	<input type="checkbox"/>
M83528/009H005	808H-0305	0.156 (3.96)	0.062 (1.57)	<input type="checkbox"/>
M83528/009H006	808H-0306	0.250 (6.35)	0.062 (1.57)	<input type="checkbox"/>
M83528/009H007	808H-0307	0.500 (12.70)	0.062 (1.57)	<input type="checkbox"/>
M83528/009H008	808H-0308	0.500 (12.70)	0.075 (1.91)	<input type="checkbox"/>
M83528/009H009	808H-0309	0.500 (12.70)	0.188 (4.78)	<input type="checkbox"/>
M83528/009H010	808H-0310	0.750 (19.05)	0.062 (1.57)	<input type="checkbox"/>
M83528/009H011	808H-0311	0.880 (22.35)	0.062 (1.57)	<input type="checkbox"/>
M83528/009H012	808H-0312	1.000 (25.40)	0.250 (6.35)	<input type="checkbox"/>
M83528/009H013	808H-0313	1.180 (29.97)	0.062 (1.57)	<input type="checkbox"/>

**Material 806K – Solid Rectangle** [Material 806K Data Sheet](#)

MIL SPEC No.	NJB Part No.	Dimension OD (mm)	Dimension ID (mm)	RFQ or Information
M83528/009K001	806K-0301	0.063 (1.60)	0.042 (1.07)	<input type="checkbox"/>
M83528/009K002	806K-0302	0.095 (2.41)	0.062 (1.57)	<input type="checkbox"/>
M83528/009K003	806K-0303	0.120 (3.05)	0.075 (1.91)	<input type="checkbox"/>
M83528/009K004	806K-0304	0.125 (3.18)	0.062 (1.57)	<input type="checkbox"/>
M83528/009K005	806K-0305	0.156 (3.96)	0.062 (1.57)	<input type="checkbox"/>
M83528/009K006	806K-0306	0.250 (6.35)	0.062 (1.57)	<input type="checkbox"/>
M83528/009K007	806K-0307	0.500 (12.70)	0.062 (1.57)	<input type="checkbox"/>
M83528/009K008	806K-0308	0.500 (12.70)	0.075 (1.91)	<input type="checkbox"/>
M83528/009K009	806K-0309	0.500 (12.70)	0.188 (4.78)	<input type="checkbox"/>
M83528/009K010	806K-0310	0.750 (19.05)	0.062 (1.57)	<input type="checkbox"/>
M83528/009K011	806K-0311	0.880 (22.35)	0.062 (1.57)	<input type="checkbox"/>
M83528/009K012	806K-0312	1.000 (25.40)	0.250 (6.35)	<input type="checkbox"/>
M83528/009K013	806K-0313	1.180 (29.97)	0.062 (1.57)	<input type="checkbox"/>

**GO TO SOLID RECTANGULAR MATERIAL**

- [806A Silver Copper Silicone, 65 Duro](#)
- [805B Silver Aluminum Silicone](#)
- [816C Silver Copper Fluorosilicone](#)
- [815D Silver Aluminum Fluorosilicone](#)
- [808E Pure Silver Silicone, 65 Duro](#)
- [818F Pure Silver Fluorosilicone](#)
- [808H Pure Silver Silicone, 80 Duro](#)
- [806K Silver Copper Silicone, 85 Duro](#)
- [804L Silver Nickel Silicone](#)**
- [803M Silver Glass Silicone](#)**
- [801 Carbon Silicone](#)
- [802 Nickel Graphite Silicone](#)
- [812 Nickel Graphite Fluorosilicone](#)



- SOLID ROUND
- HOLLOW ROUND
- SOLID RECTANGLE
- SOLID D PROFILE
- HOLLOW D PROFILE
- P PROFILE
- U PROFILE

**Material 804L – Solid Rectangle** [Material 804L Data Sheet](#)

MIL SPEC No.	NJB Part No.	Dimension OD (mm)	Dimension ID (mm)	RFQ or Information
M83528/009L001	804-0301	0.063 (1.60)	0.042 (1.07)	<input type="checkbox"/>
M83528/009L002	804-0302	0.095 (2.41)	0.062 (1.57)	<input type="checkbox"/>
M83528/009L003	804-0303	0.120 (3.05)	0.075 (1.91)	<input type="checkbox"/>
M83528/009L004	804-0304	0.125 (3.18)	0.062 (1.57)	<input type="checkbox"/>
M83528/009L005	804-0305	0.156 (3.96)	0.062 (1.57)	<input type="checkbox"/>
M83528/009L006	804-0306	0.250 (6.35)	0.062 (1.57)	<input type="checkbox"/>
M83528/009L007	804-0307	0.500 (12.70)	0.062 (1.57)	<input type="checkbox"/>
M83528/009L008	804-0308	0.500 (12.70)	0.075 (1.91)	<input type="checkbox"/>
M83528/009L009	804-0309	0.500 (12.70)	0.188 (4.78)	<input type="checkbox"/>
M83528/009L010	804-0310	0.750 (19.05)	0.062 (1.57)	<input type="checkbox"/>
M83528/009L011	804-0311	0.880 (22.35)	0.062 (1.57)	<input type="checkbox"/>
M83528/009L012	804-0312	1.000 (25.40)	0.250 (6.35)	<input type="checkbox"/>
M83528/009L013	804-0313	1.180 (29.97)	0.062 (1.57)	<input type="checkbox"/>

**Material 803M – Solid Rectangle** [Material 803M Data Sheet](#)

MIL SPEC No.	NJB Part No.	Dimension OD (mm)	Dimension ID (mm)	RFQ or Information
M83528/009M001	803-0301	0.063 (1.60)	0.042 (1.07)	<input type="checkbox"/>
M83528/009M002	803-0302	0.095 (2.41)	0.062 (1.57)	<input type="checkbox"/>
M83528/009M003	803-0303	0.120 (3.05)	0.075 (1.91)	<input type="checkbox"/>
M83528/009M004	803-0304	0.125 (3.18)	0.062 (1.57)	<input type="checkbox"/>
M83528/009M005	803-0305	0.156 (3.96)	0.062 (1.57)	<input type="checkbox"/>
M83528/009M006	803-0306	0.250 (6.35)	0.062 (1.57)	<input type="checkbox"/>
M83528/009M007	803-0307	0.500 (12.70)	0.062 (1.57)	<input type="checkbox"/>
M83528/009M008	803-0308	0.500 (12.70)	0.075 (1.91)	<input type="checkbox"/>
M83528/009M009	803-0309	0.500 (12.70)	0.188 (4.78)	<input type="checkbox"/>
M83528/009M010	803-0310	0.750 (19.05)	0.062 (1.57)	<input type="checkbox"/>
M83528/009M011	803-0311	0.880 (22.35)	0.062 (1.57)	<input type="checkbox"/>
M83528/009M012	803-0312	1.000 (25.40)	0.250 (6.35)	<input type="checkbox"/>
M83528/009M013	803-0313	1.180 (29.97)	0.062 (1.57)	<input type="checkbox"/>

[Back to Home Page](#)

# JABAR<sup>®</sup>

## SOLID RECTANGLE EXTRUSION

I need assistance.  
Please contact me.

### GO TO SOLID RECTANGULAR MATERIAL

[806A Silver Copper Silicone, 65 Duro](#)

[805B Silver Aluminum Silicone](#)

[816C Silver Copper Fluorosilicone](#)

[815D Silver Aluminum Fluorosilicone](#)

[808E Pure Silver Silicone, 65 Duro](#)

[818F Pure Silver Fluorosilicone](#)

[808H Pure Silver Silicone, 80 Duro](#)

[806K Silver Copper Silicone, 85 Duro](#)

[804L Silver Nickel Silicone](#)

[803M Silver Glass Silicone](#)

**801 Carbon Silicone**

**802 Nickel Graphite Silicone**

[812 Nickel Graphite Fluorosilicone](#)



SOLID ROUND

HOLLOW ROUND

SOLID RECTANGLE

SOLID D PROFILE

HOLLOW D PROFILE

P PROFILE

U PROFILE

### Material 801 – Solid Rectangle

[Material 801 Data Sheet](#)

MIL SPEC No.	NJB Part No.	Dimension OD (mm)	Dimension ID (mm)	RFQ or Information
N/A	801-0301	0.063 (1.60)	0.042 (1.07)	<input type="checkbox"/>
N/A	801-0302	0.095 (2.41)	0.062 (1.57)	<input type="checkbox"/>
N/A	801-0303	0.120 (3.05)	0.075 (1.91)	<input type="checkbox"/>
N/A	801-0304	0.125 (3.18)	0.062 (1.57)	<input type="checkbox"/>
N/A	801-0305	0.156 (3.96)	0.062 (1.57)	<input type="checkbox"/>
N/A	801-0306	0.250 (6.35)	0.062 (1.57)	<input type="checkbox"/>
N/A	801-0307	0.500 (12.70)	0.062 (1.57)	<input type="checkbox"/>
N/A	801-0308	0.500 (12.70)	0.075 (1.91)	<input type="checkbox"/>
N/A	801-0309	0.500 (12.70)	0.188 (4.78)	<input type="checkbox"/>
N/A	801-0310	0.750 (19.05)	0.062 (1.57)	<input type="checkbox"/>
N/A	801-0311	0.880 (22.35)	0.062 (1.57)	<input type="checkbox"/>
N/A	801-0312	1.000 (25.40)	0.250 (6.35)	<input type="checkbox"/>
N/A	801-0313	1.180 (29.97)	0.062 (1.57)	<input type="checkbox"/>

### Material 802 – Solid Rectangle

[Material 802 Data Sheet](#)

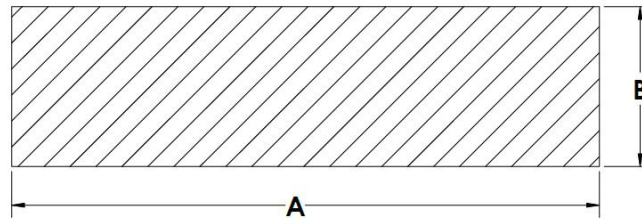
MIL SPEC No.	NJB Part No.	Dimension OD (mm)	Dimension ID (mm)	RFQ or Information
N/A	802-0301	0.063 (1.60)	0.042 (1.07)	<input type="checkbox"/>
N/A	802-0302	0.095 (2.41)	0.062 (1.57)	<input type="checkbox"/>
N/A	802-0303	0.120 (3.05)	0.075 (1.91)	<input type="checkbox"/>
N/A	802-0304	0.125 (3.18)	0.062 (1.57)	<input type="checkbox"/>
N/A	802-0305	0.156 (3.96)	0.062 (1.57)	<input type="checkbox"/>
N/A	802-0306	0.250 (6.35)	0.062 (1.57)	<input type="checkbox"/>
N/A	802-0307	0.500 (12.70)	0.062 (1.57)	<input type="checkbox"/>
N/A	802-0308	0.500 (12.70)	0.075 (1.91)	<input type="checkbox"/>
N/A	802-0309	0.500 (12.70)	0.188 (4.78)	<input type="checkbox"/>
N/A	802-0310	0.750 (19.05)	0.062 (1.57)	<input type="checkbox"/>
N/A	802-0311	0.880 (22.35)	0.062 (1.57)	<input type="checkbox"/>
N/A	802-0312	1.000 (25.40)	0.250 (6.35)	<input type="checkbox"/>
N/A	802-0313	1.180 (29.97)	0.062 (1.57)	<input type="checkbox"/>





**GO TO SOLID RECTANGULAR MATERIAL**

- [806A Silver Copper Silicone, 65 Duro](#)
- [805B Silver Aluminum Silicone](#)
- [816C Silver Copper Fluorosilicone](#)
- [815D Silver Aluminum Fluorosilicone](#)
- [808E Pure Silver Silicone, 65 Duro](#)
- [818F Pure Silver Fluorosilicone](#)
- [808H Pure Silver Silicone, 80 Duro](#)
- [806K Silver Copper Silicone, 85 Duro](#)
- [804L Silver Nickel Silicone](#)
- [803M Silver Glass Silicone](#)
- [801 Carbon Silicone](#)
- [802 Nickel Graphite Silicone](#)
- [812 Nickel Graphite Fluorosilicone](#)**



- SOLID ROUND
- HOLLOW ROUND
- SOLID RECTANGLE
- SOLID D PROFILE
- HOLLOW D PROFILE
- P PROFILE
- U PROFILE

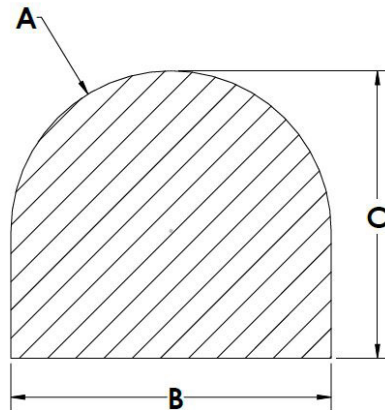
**Material 812 – Solid Rectangle**

[Material 812 Data Sheet](#)

MIL SPEC No.	NJB Part No.	Dimension OD (mm)	Dimension ID (mm)	RFQ or Information
N/A	812-0301	0.063 (1.60)	0.042 (1.07)	<input type="checkbox"/>
N/A	812-0302	0.095 (2.41)	0.062 (1.57)	<input type="checkbox"/>
N/A	812-0303	0.120 (3.05)	0.075 (1.91)	<input type="checkbox"/>
N/A	812-0304	0.125 (3.18)	0.062 (1.57)	<input type="checkbox"/>
N/A	812-0305	0.156 (3.96)	0.062 (1.57)	<input type="checkbox"/>
N/A	812-0306	0.250 (6.35)	0.062 (1.57)	<input type="checkbox"/>
N/A	812-0307	0.500 (12.70)	0.062 (1.57)	<input type="checkbox"/>
N/A	812-0308	0.500 (12.70)	0.075 (1.91)	<input type="checkbox"/>
N/A	812-0309	0.500 (12.70)	0.188 (4.78)	<input type="checkbox"/>
N/A	812-0310	0.750 (19.05)	0.062 (1.57)	<input type="checkbox"/>
N/A	812-0311	0.880 (22.35)	0.062 (1.57)	<input type="checkbox"/>
N/A	812-0312	1.000 (25.40)	0.250 (6.35)	<input type="checkbox"/>
N/A	812-0313	1.180 (29.97)	0.062 (1.57)	<input type="checkbox"/>

### GO TO D PROFILE SOLID MATERIAL

- [806A Silver Copper Silicone, 65 Duro](#)
- [805B Silver Aluminum Silicone](#)
- [816C Silver Copper Fluorosilicone](#)
- [815D Silver Aluminum Fluorosilicone](#)
- [808E Pure Silver Silicone, 65 Duro](#)
- [818F Pure Silver Fluorosilicone](#)
- [808H Pure Silver Silicone, 80 Duro](#)
- [806K Silver Copper Silicone, 85 Duro](#)
- [804L Silver Nickel Silicone](#)
- [803M Silver Glass Silicone](#)
- [801 Carbon Silicone](#)
- [802 Nickel Graphite Silicone](#)
- [812 Nickel Graphite Fluorosilicone](#)



- [SOLID ROUND](#)
- [HOLLOW ROUND](#)
- [SOLID RECTANGLE](#)
- [SOLID D PROFILE](#)
- [HOLLOW D PROFILE](#)
- [P PROFILE](#)
- [U PROFILE](#)

#### Material 806A – D Profile

#### Material 806A Data Sheet

MIL SPEC No.	NJB Part No.	Dimension A (mm)	Dimension B (mm)	Dimension C (mm)	RFQ or Information
M83528/003A001	806A-0411	.031 (0.78)	.062 (1.57)	.068 (1.73)	<input type="checkbox"/>
M83528/003A002	806A-0413	.047 (1.19)	.094 (2.39)	.078 (1.98)	<input type="checkbox"/>
M83528/003A003	806A-0414	.039 (0.99)	.078 (1.98)	.089 (2.26)	<input type="checkbox"/>
M83528/003A004	806A-0415	.047 (1.19)	.094 (2.39)	.094 (2.39)	<input type="checkbox"/>
M83528/003A005	806A-0416	.031 (0.78)	.062 (1.57)	.100 (2.54)	<input type="checkbox"/>
M83528/003A006	806A-0417	.075 (1.91)	.150 (3.81)	.110 (2.79)	<input type="checkbox"/>
M83528/003A007	806A-0419	.061 (1.55)	.122 (3.10)	.135 (3.43)	<input type="checkbox"/>
M83528/003A008	806A-0420	.059 (1.49)	.118 (3.00)	.156 (3.96)	<input type="checkbox"/>
M83528/003A009	806A-0421	.078 (1.98)	.156 (3.96)	.156 (3.96)	<input type="checkbox"/>
M83528/003A010	806A-0422	.089 (2.26)	.178 (4.52)	.175 (4.45)	<input type="checkbox"/>
M83528/003A011	806A-0423	.094 (2.39)	.188 (4.78)	.188 (4.78)	<input type="checkbox"/>
M83528/003A012	806A-0424	.125 (3.18)	.250 (6.35)	.250 (6.35)	<input type="checkbox"/>

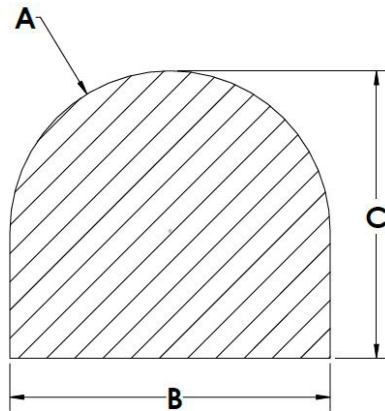
#### Material 805B – D Profile

#### Material 805B Data Sheet

MIL SPEC No.	NJB Part No.	Dimension A (mm)	Dimension B (mm)	Dimension C (mm)	RFQ or Information
M83528/003B001	805-0411	.031 (0.78)	.062 (1.57)	.068 (1.73)	<input type="checkbox"/>
M83528/003B002	805-0413	.047 (1.19)	.094 (2.39)	.078 (1.98)	<input type="checkbox"/>
M83528/003B003	805-0414	.039 (0.99)	.078 (1.98)	.089 (2.26)	<input type="checkbox"/>
M83528/003B004	805-0415	.047 (1.19)	.094 (2.39)	.094 (2.39)	<input type="checkbox"/>
M83528/003B005	805-0416	.031 (0.78)	.062 (1.57)	.100 (2.54)	<input type="checkbox"/>
M83528/003B006	805-0417	.075 (1.91)	.150 (3.81)	.110 (2.79)	<input type="checkbox"/>
M83528/003B007	805-0419	.061 (1.55)	.122 (3.10)	.135 (3.43)	<input type="checkbox"/>
M83528/003B008	805-0420	.059 (1.49)	.118 (3.00)	.156 (3.96)	<input type="checkbox"/>
M83528/003B009	805-0421	.078 (1.98)	.156 (3.96)	.156 (3.96)	<input type="checkbox"/>
M83528/003B010	805-0422	.089 (2.26)	.178 (4.52)	.175 (4.45)	<input type="checkbox"/>
M83528/003B011	805-0423	.094 (2.39)	.188 (4.78)	.188 (4.78)	<input type="checkbox"/>
M83528/003B012	805-0424	.125 (3.18)	.250 (6.35)	.250 (6.35)	<input type="checkbox"/>

**GO TO D PROFILE SOLID MATERIAL**

- [806A Silver Copper Silicone, 65 Duro](#)
- [805B Silver Aluminum Silicone](#)
- [816C Silver Copper Fluorosilicone](#)
- [815D Silver Aluminum Fluorosilicone](#)
- [808E Pure Silver Silicone, 65 Duro](#)
- [818F Pure Silver Fluorosilicone](#)
- [808H Pure Silver Silicone, 80 Duro](#)
- [806K Silver Copper Silicone, 85 Duro](#)
- [804L Silver Nickel Silicone](#)
- [803M Silver Glass Silicone](#)
- [801 Carbon Silicone](#)
- [802 Nickel Graphite Silicone](#)
- [812 Nickel Graphite Fluorosilicone](#)



- SOLID ROUND
- HOLLOW ROUND
- SOLID RECTANGLE
- SOLID D PROFILE
- HOLLOW D PROFILE
- P PROFILE
- U PROFILE

**Material 816C – D Profile**

[Material 816C Data Sheet](#)

MIL SPEC No.	NJB Part No.	Dimension A (mm)	Dimension B (mm)	Dimension C (mm)	RFQ or Information
M83528/003C001	816-0411	.031 (0.78)	.062 (1.57)	.068 (1.73)	
M83528/003C002	816-0413	.047 (1.19)	.094 (2.39)	.078 (1.98)	
M83528/003C003	816-0414	.039 (0.99)	.078 (1.98)	.089 (2.26)	
M83528/003C004	816-0415	.047 (1.19)	.094 (2.39)	.094 (2.39)	
M83528/003C005	816-0416	.031 (0.78)	.062 (1.57)	.100 (2.54)	
M83528/003C006	816-0417	.075 (1.91)	.150 (3.81)	.110 (2.79)	
M83528/003C007	816-0419	.061 (1.55)	.122 (3.10)	.135 (3.43)	
M83528/003C008	816-0420	.059 (1.49)	.118 (3.00)	.156 (3.96)	
M83528/003C009	816-0421	.078 (1.98)	.156 (3.96)	.156 (3.96)	
M83528/003C010	816-0422	.089 (2.26)	.178 (4.52)	.175 (4.45)	
M83528/003C011	816-0423	.094 (2.39)	.188 (4.78)	.188 (4.78)	
M83528/003C012	816-0424	.125 (3.18)	.250 (6.35)	.250 (6.35)	

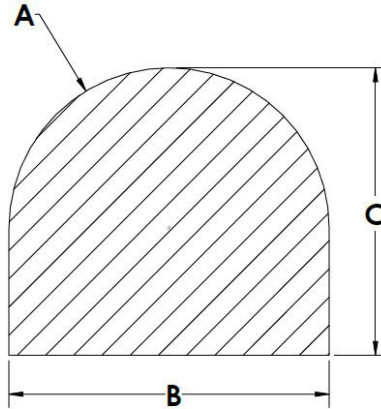
**Material 815D – D Profile**

[Material 815D Data Sheet](#)

MIL SPEC No.	NJB Part No.	Dimension A (mm)	Dimension B (mm)	Dimension C (mm)	RFQ or Information
M83528/003D001	815-0411	.031 (0.78)	.062 (1.57)	.068 (1.73)	
M83528/003D002	815-0413	.047 (1.19)	.094 (2.39)	.078 (1.98)	
M83528/003D003	815-0414	.039 (0.99)	.078 (1.98)	.089 (2.26)	
M83528/003D004	815-0415	.047 (1.19)	.094 (2.39)	.094 (2.39)	
M83528/003D005	815-0416	.031 (0.78)	.062 (1.57)	.100 (2.54)	
M83528/003D006	815-0417	.075 (1.91)	.150 (3.81)	.110 (2.79)	
M83528/003D007	815-0419	.061 (1.55)	.122 (3.10)	.135 (3.43)	
M83528/003D008	815-0420	.059 (1.49)	.118 (3.00)	.156 (3.96)	
M83528/003D009	815-0421	.078 (1.98)	.156 (3.96)	.156 (3.96)	
M83528/003D010	815-0422	.089 (2.26)	.178 (4.52)	.175 (4.45)	
M83528/003D011	815-0423	.094 (2.39)	.188 (4.78)	.188 (4.78)	
M83528/003D012	815-0424	.125 (3.18)	.250 (6.35)	.250 (6.35)	

**GO TO D PROFILE SOLID MATERIAL**

- [806A Silver Copper Silicone, 65 Duro](#)
- [805B Silver Aluminum Silicone](#)
- [816C Silver Copper Fluorosilicone](#)
- [815D Silver Aluminum Fluorosilicone](#)
- [808E Pure Silver Silicone, 65 Duro](#)
- [818F Pure Silver Fluorosilicone](#)
- [808H Pure Silver Silicone, 80 Duro](#)
- [806K Silver Copper Silicone, 85 Duro](#)
- [804L Silver Nickel Silicone](#)
- [803M Silver Glass Silicone](#)
- [801 Carbon Silicone](#)
- [802 Nickel Graphite Silicone](#)
- [812 Nickel Graphite Fluorosilicone](#)



- SOLID ROUND
- HOLLOW ROUND
- SOLID RECTANGLE
- SOLID D PROFILE
- HOLLOW D PROFILE
- P PROFILE
- U PROFILE

**Material 808E – D Profile**

[Material 808E Data Sheet](#)

MIL SPEC No.	NJB Part No.	Dimension A (mm)	Dimension B (mm)	Dimension C (mm)	RFQ or Information
M83528/003E001	808E-0411	.031 (0.78)	.062 (1.57)	.068 (1.73)	<input type="checkbox"/>
M83528/003E002	808E-0413	.047 (1.19)	.094 (2.39)	.078 (1.98)	<input type="checkbox"/>
M83528/003E003	808E-0414	.039 (0.99)	.078 (1.98)	.089 (2.26)	<input type="checkbox"/>
M83528/003E004	808E-0415	.047 (1.19)	.094 (2.39)	.094 (2.39)	<input type="checkbox"/>
M83528/003E005	808E-0416	.031 (0.78)	.062 (1.57)	.100 (2.54)	<input type="checkbox"/>
M83528/003E006	808E-0417	.075 (1.91)	.150 (3.81)	.110 (2.79)	<input type="checkbox"/>
M83528/003E007	808E-0419	.061 (1.55)	.122 (3.10)	.135 (3.43)	<input type="checkbox"/>
M83528/003E008	808E-0420	.059 (1.49)	.118 (3.00)	.156 (3.96)	<input type="checkbox"/>
M83528/003E009	808E-0421	.078 (1.98)	.156 (3.96)	.156 (3.96)	<input type="checkbox"/>
M83528/003E010	808E-0422	.089 (2.26)	.178 (4.52)	.175 (4.45)	<input type="checkbox"/>
M83528/003E011	808E-0423	.094 (2.39)	.188 (4.78)	.188 (4.78)	<input type="checkbox"/>
M83528/003E012	808E-0424	.125 (3.18)	.250 (6.35)	.250 (6.35)	<input type="checkbox"/>

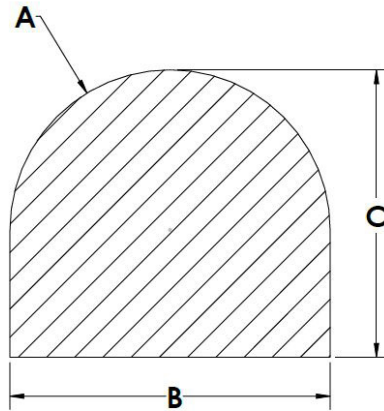
**Material 818F – D Profile**

[Material 818F Data Sheet](#)

MIL SPEC No.	NJB Part No.	Dimension A (mm)	Dimension B (mm)	Dimension C (mm)	RFQ or Information
M83528/003F001	818-0411	.031 (0.78)	.062 (1.57)	.068 (1.73)	<input type="checkbox"/>
M83528/003F002	818-0413	.047 (1.19)	.094 (2.39)	.078 (1.98)	<input type="checkbox"/>
M83528/003F003	818-0414	.039 (0.99)	.078 (1.98)	.089 (2.26)	<input type="checkbox"/>
M83528/003F004	818-0415	.047 (1.19)	.094 (2.39)	.094 (2.39)	<input type="checkbox"/>
M83528/003F005	818-0416	.031 (0.78)	.062 (1.57)	.100 (2.54)	<input type="checkbox"/>
M83528/003F006	818-0417	.075 (1.91)	.150 (3.81)	.110 (2.79)	<input type="checkbox"/>
M83528/003F007	818-0419	.061 (1.55)	.122 (3.10)	.135 (3.43)	<input type="checkbox"/>
M83528/003F008	818-0420	.059 (1.49)	.118 (3.00)	.156 (3.96)	<input type="checkbox"/>
M83528/003F009	818-0421	.078 (1.98)	.156 (3.96)	.156 (3.96)	<input type="checkbox"/>
M83528/003F010	818-0422	.089 (2.26)	.178 (4.52)	.175 (4.45)	<input type="checkbox"/>
M83528/003F011	818-0423	.094 (2.39)	.188 (4.78)	.188 (4.78)	<input type="checkbox"/>
M83528/003F012	818-0424	.125 (3.18)	.250 (6.35)	.250 (6.35)	<input type="checkbox"/>

### GO TO D PROFILE SOLID MATERIAL

- [806A Silver Copper Silicone, 65 Duro](#)
- [805B Silver Aluminum Silicone](#)
- [816C Silver Copper Fluorosilicone](#)
- [815D Silver Aluminum Fluorosilicone](#)
- [808E Pure Silver Silicone, 65 Duro](#)
- [818F Pure Silver Fluorosilicone](#)
- [808H Pure Silver Silicone, 80 Duro](#)
- [806K Silver Copper Silicone, 85 Duro](#)
- [804L Silver Nickel Silicone](#)
- [803M Silver Glass Silicone](#)
- [801 Carbon Silicone](#)
- [802 Nickel Graphite Silicone](#)
- [812 Nickel Graphite Fluorosilicone](#)



- SOLID ROUND
- HOLLOW ROUND
- SOLID RECTANGLE
- SOLID D PROFILE
- HOLLOW D PROFILE
- P PROFILE
- U PROFILE

### Material 808H – D Profile

### Material 808H Data Sheet

MIL SPEC No.	NJB Part No.	Dimension A (mm)	Dimension B (mm)	Dimension C (mm)	RFQ or Information
M83528/003H001	808H-0411	.031 (0.78)	.062 (1.57)	.068 (1.73)	<input type="checkbox"/>
M83528/003H002	808H-0413	.047 (1.19)	.094 (2.39)	.078 (1.98)	<input type="checkbox"/>
M83528/003H003	808H-0414	.039 (0.99)	.078 (1.98)	.089 (2.26)	<input type="checkbox"/>
M83528/003H004	808H-0415	.047 (1.19)	.094 (2.39)	.094 (2.39)	<input type="checkbox"/>
M83528/003H005	808H-0416	.031 (0.78)	.062 (1.57)	.100 (2.54)	<input type="checkbox"/>
M83528/003H006	808H-0417	.075 (1.91)	.150 (3.81)	.110 (2.79)	<input type="checkbox"/>
M83528/003H007	808H-0419	.061 (1.55)	.122 (3.10)	.135 (3.43)	<input type="checkbox"/>
M83528/003H008	808H-0420	.059 (1.49)	.118 (3.00)	.156 (3.96)	<input type="checkbox"/>
M83528/003H009	808H-0421	.078 (1.98)	.156 (3.96)	.156 (3.96)	<input type="checkbox"/>
M83528/003H010	808H-0422	.089 (2.26)	.178 (4.52)	.175 (4.45)	<input type="checkbox"/>
M83528/003H011	808H-0423	.094 (2.39)	.188 (4.78)	.188 (4.78)	<input type="checkbox"/>
M83528/003H012	808H-0424	.125 (3.18)	.250 (6.35)	.250 (6.35)	<input type="checkbox"/>

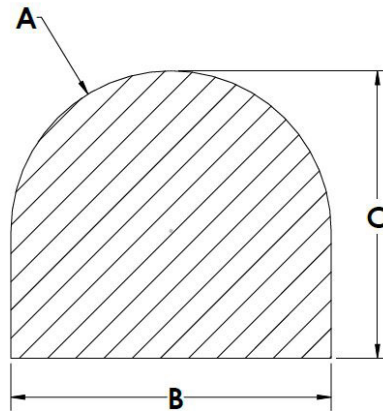
### Material 806K – D Profile

### Material 806K Data Sheet

MIL SPEC No.	NJB Part No.	Dimension A (mm)	Dimension B (mm)	Dimension C (mm)	RFQ or Information
M83528/003K001	806K-0411	.031 (0.78)	.062 (1.57)	.068 (1.73)	<input type="checkbox"/>
M83528/003K002	806K-0413	.047 (1.19)	.094 (2.39)	.078 (1.98)	<input type="checkbox"/>
M83528/003K003	806K-0414	.039 (0.99)	.078 (1.98)	.089 (2.26)	<input type="checkbox"/>
M83528/003K004	806K-0415	.047 (1.19)	.094 (2.39)	.094 (2.39)	<input type="checkbox"/>
M83528/003K005	806K-0416	.031 (0.78)	.062 (1.57)	.100 (2.54)	<input type="checkbox"/>
M83528/003K006	806K-0417	.075 (1.91)	.150 (3.81)	.110 (2.79)	<input type="checkbox"/>
M83528/003K007	806K-0419	.061 (1.55)	.122 (3.10)	.135 (3.43)	<input type="checkbox"/>
M83528/003K008	806K-0420	.059 (1.49)	.118 (3.00)	.156 (3.96)	<input type="checkbox"/>
M83528/003K009	806K-0421	.078 (1.98)	.156 (3.96)	.156 (3.96)	<input type="checkbox"/>
M83528/003K010	806K-0422	.089 (2.26)	.178 (4.52)	.175 (4.45)	<input type="checkbox"/>
M83528/003K011	806K-0423	.094 (2.39)	.188 (4.78)	.188 (4.78)	<input type="checkbox"/>
M83528/003K012	806K-0424	.125 (3.18)	.250 (6.35)	.250 (6.35)	<input type="checkbox"/>

**GO TO D PROFILE SOLID MATERIAL**

- [806A Silver Copper Silicone, 65 Duro](#)
- [805B Silver Aluminum Silicone](#)
- [816C Silver Copper Fluorosilicone](#)
- [815D Silver Aluminum Fluorosilicone](#)
- [808E Pure Silver Silicone, 65 Duro](#)
- [818F Pure Silver Fluorosilicone](#)
- [808H Pure Silver Silicone, 80 Duro](#)
- [806K Silver Copper Silicone, 85 Duro](#)
- [804L Silver Nickel Silicone](#)**
- [803M Silver Glass Silicone](#)
- [801 Carbon Silicone](#)
- [802 Nickel Graphite Silicone](#)
- [812 Nickel Graphite Fluorosilicone](#)



- SOLID ROUND
- HOLLOW ROUND
- SOLID RECTANGLE
- SOLID D PROFILE
- HOLLOW D PROFILE
- P PROFILE
- U PROFILE

**Material 804L – D Profile**

[Material 804L Data Sheet](#)

MIL SPEC No.	NJB Part No.	Dimension A (mm)	Dimension B (mm)	Dimension C (mm)	RFQ or Information
M83528/003L001	804-0411	.031 (0.78)	.062 (1.57)	.068 (1.73)	<input type="checkbox"/>
M83528/003L002	804-0413	.047 (1.19)	.094 (2.39)	.078 (1.98)	<input type="checkbox"/>
M83528/003L003	804-0414	.039 (0.99)	.078 (1.98)	.089 (2.26)	<input type="checkbox"/>
M83528/003L004	804-0415	.047 (1.19)	.094 (2.39)	.094 (2.39)	<input type="checkbox"/>
M83528/003L005	804-0416	.031 (0.78)	.062 (1.57)	.100 (2.54)	<input type="checkbox"/>
M83528/003L006	804-0417	.075 (1.91)	.150 (3.81)	.110 (2.79)	<input type="checkbox"/>
M83528/003L007	804-0419	.061 (1.55)	.122 (3.10)	.135 (3.43)	<input type="checkbox"/>
M83528/003L008	804-0420	.059 (1.49)	.118 (3.00)	.156 (3.96)	<input type="checkbox"/>
M83528/003L009	804-0421	.078 (1.98)	.156 (3.96)	.156 (3.96)	<input type="checkbox"/>
M83528/003L010	804-0422	.089 (2.26)	.178 (4.52)	.175 (4.45)	<input type="checkbox"/>
M83528/003L011	804-0423	.094 (2.39)	.188 (4.78)	.188 (4.78)	<input type="checkbox"/>
M83528/003L012	804-0424	.125 (3.18)	.250 (6.35)	.250 (6.35)	<input type="checkbox"/>

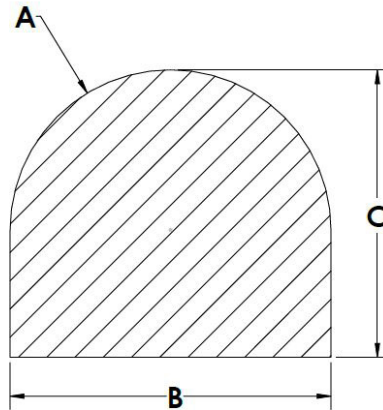
**Material 804M – D Profile**

[Material 804M Data Sheet](#)

MIL SPEC No.	NJB Part No.	Dimension A (mm)	Dimension B (mm)	Dimension C (mm)	RFQ or Information
M83528/003M001	803-0411	.031 (0.78)	.062 (1.57)	.068 (1.73)	<input type="checkbox"/>
M83528/003M002	803-0413	.047 (1.19)	.094 (2.39)	.078 (1.98)	<input type="checkbox"/>
M83528/003M003	803-0414	.039 (0.99)	.078 (1.98)	.089 (2.26)	<input type="checkbox"/>
M83528/003M004	803-0415	.047 (1.19)	.094 (2.39)	.094 (2.39)	<input type="checkbox"/>
M83528/003M005	803-0416	.031 (0.78)	.062 (1.57)	.100 (2.54)	<input type="checkbox"/>
M83528/003M006	803-0417	.075 (1.91)	.150 (3.81)	.110 (2.79)	<input type="checkbox"/>
M83528/003M007	803-0419	.061 (1.55)	.122 (3.10)	.135 (3.43)	<input type="checkbox"/>
M83528/003M008	803-0420	.059 (1.49)	.118 (3.00)	.156 (3.96)	<input type="checkbox"/>
M83528/003M009	803-0421	.078 (1.98)	.156 (3.96)	.156 (3.96)	<input type="checkbox"/>
M83528/003M010	803-0422	.089 (2.26)	.178 (4.52)	.175 (4.45)	<input type="checkbox"/>
M83528/003M011	803-0423	.094 (2.39)	.188 (4.78)	.188 (4.78)	<input type="checkbox"/>
M83528/003M012	803-0424	.125 (3.18)	.250 (6.35)	.250 (6.35)	<input type="checkbox"/>

**GO TO D PROFILE SOLID MATERIAL**

- [806A Silver Copper Silicone, 65 Duro](#)
- [805B Silver Aluminum Silicone](#)
- [816C Silver Copper Fluorosilicone](#)
- [815D Silver Aluminum Fluorosilicone](#)
- [808E Pure Silver Silicone, 65 Duro](#)
- [818F Pure Silver Fluorosilicone](#)
- [808H Pure Silver Silicone, 80 Duro](#)
- [806K Silver Copper Silicone, 85 Duro](#)
- [804L Silver Nickel Silicone](#)
- [803M Silver Glass Silicone](#)
- 801 Carbon Silicone**
- 802 Nickel Graphite Silicone**
- [812 Nickel Graphite Fluorosilicone](#)



- SOLID ROUND
- HOLLOW ROUND
- SOLID RECTANGLE
- SOLID D PROFILE
- HOLLOW D PROFILE
- P PROFILE
- U PROFILE

**Material 801 – D Profile**

[Material 801 Data Sheet](#)

MIL SPEC No.	NJB Part No.	Dimension A (mm)	Dimension B (mm)	Dimension C (mm)	RFQ or Information
N/A	801-0411	.031 (0.78)	.062 (1.57)	.068 (1.73)	<input type="checkbox"/>
N/A	801-0413	.047 (1.19)	.094 (2.39)	.078 (1.98)	<input type="checkbox"/>
N/A	801-0414	.039 (0.99)	.078 (1.98)	.089 (2.26)	<input type="checkbox"/>
N/A	801-0415	.047 (1.19)	.094 (2.39)	.094 (2.39)	<input type="checkbox"/>
N/A	801-0416	.031 (0.78)	.062 (1.57)	.100 (2.54)	<input type="checkbox"/>
N/A	801-0417	.075 (1.91)	.150 (3.81)	.110 (2.79)	<input type="checkbox"/>
N/A	801-0419	.061 (1.55)	.122 (3.10)	.135 (3.43)	<input type="checkbox"/>
N/A	801-0420	.059 (1.49)	.118 (3.00)	.156 (3.96)	<input type="checkbox"/>
N/A	801-0421	.078 (1.98)	.156 (3.96)	.156 (3.96)	<input type="checkbox"/>
N/A	801-0422	.089 (2.26)	.178 (4.52)	.175 (4.45)	<input type="checkbox"/>
N/A	801-0423	.094 (2.39)	.188 (4.78)	.188 (4.78)	<input type="checkbox"/>
N/A	801-0424	.125 (3.18)	.250 (6.35)	.250 (6.35)	<input type="checkbox"/>

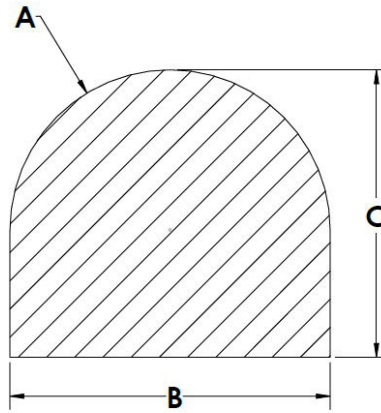
**Material 802 – D Profile**

[Material 802 Data Sheet](#)

MIL SPEC No.	NJB Part No.	Dimension A (mm)	Dimension B (mm)	Dimension C (mm)	RFQ or Information
N/A	802-0411	.031 (0.78)	.062 (1.57)	.068 (1.73)	<input type="checkbox"/>
N/A	802-0413	.047 (1.19)	.094 (2.39)	.078 (1.98)	<input type="checkbox"/>
N/A	802-0414	.039 (0.99)	.078 (1.98)	.089 (2.26)	<input type="checkbox"/>
N/A	802-0415	.047 (1.19)	.094 (2.39)	.094 (2.39)	<input type="checkbox"/>
N/A	802-0416	.031 (0.78)	.062 (1.57)	.100 (2.54)	<input type="checkbox"/>
N/A	802-0417	.075 (1.91)	.150 (3.81)	.110 (2.79)	<input type="checkbox"/>
N/A	802-0419	.061 (1.55)	.122 (3.10)	.135 (3.43)	<input type="checkbox"/>
N/A	802-0420	.059 (1.49)	.118 (3.00)	.156 (3.96)	<input type="checkbox"/>
N/A	802-0421	.078 (1.98)	.156 (3.96)	.156 (3.96)	<input type="checkbox"/>
N/A	802-0422	.089 (2.26)	.178 (4.52)	.175 (4.45)	<input type="checkbox"/>
N/A	802-0423	.094 (2.39)	.188 (4.78)	.188 (4.78)	<input type="checkbox"/>
N/A	802-0424	.125 (3.18)	.250 (6.35)	.250 (6.35)	<input type="checkbox"/>

### GO TO D PROFILE SOLID MATERIAL

- [806A Silver Copper Silicone, 65 Duro](#)
- [805B Silver Aluminum Silicone](#)
- [816C Silver Copper Fluorosilicone](#)
- [815D Silver Aluminum Fluorosilicone](#)
- [808E Pure Silver Silicone, 65 Duro](#)
- [818F Pure Silver Fluorosilicone](#)
- [808H Pure Silver Silicone, 80 Duro](#)
- [806K Silver Copper Silicone, 85 Duro](#)
- [804L Silver Nickel Silicone](#)
- [803M Silver Glass Silicone](#)
- [801 Carbon Silicone](#)
- [802 Nickel Graphite Silicone](#)
- [812 Nickel Graphite Fluorosilicone](#)**



- SOLID ROUND
- HOLLOW ROUND
- SOLID RECTANGLE
- SOLID D PROFILE
- HOLLOW D PROFILE
- P PROFILE
- U PROFILE

### Material 812 – D Profile

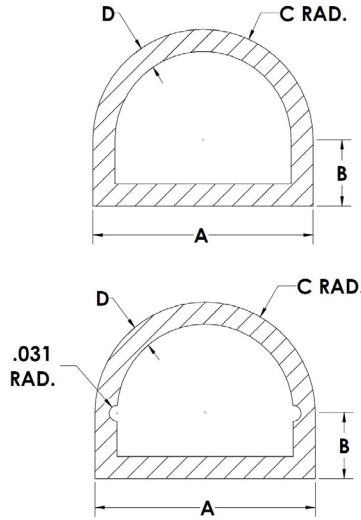
### Material 812 Data Sheet

MIL SPEC No.	NJB Part No.	Dimension A (mm)	Dimension B (mm)	Dimension C (mm)	RFQ or Information
N/A	812-0411	.031 (0.78)	.062 (1.57)	.068 (1.73)	<input type="checkbox"/>
N/A	812-0413	.047 (1.19)	.094 (2.39)	.078 (1.98)	<input type="checkbox"/>
N/A	812-0414	.039 (0.99)	.078 (1.98)	.089 (2.26)	<input type="checkbox"/>
N/A	812-0415	.047 (1.19)	.094 (2.39)	.094 (2.39)	<input type="checkbox"/>
N/A	812-0416	.031 (0.78)	.062 (1.57)	.100 (2.54)	<input type="checkbox"/>
N/A	812-0417	.075 (1.91)	.150 (3.81)	.110 (2.79)	<input type="checkbox"/>
N/A	812-0419	.061 (1.55)	.122 (3.10)	.135 (3.43)	<input type="checkbox"/>
N/A	812-0420	.059 (1.49)	.118 (3.00)	.156 (3.96)	<input type="checkbox"/>
N/A	812-0421	.078 (1.98)	.156 (3.96)	.156 (3.96)	<input type="checkbox"/>
N/A	812-0422	.089 (2.26)	.178 (4.52)	.175 (4.45)	<input type="checkbox"/>
N/A	812-0423	.094 (2.39)	.188 (4.78)	.188 (4.78)	<input type="checkbox"/>
N/A	812-0424	.125 (3.18)	.250 (6.35)	.250 (6.35)	<input type="checkbox"/>



**GO TO D PROFILE HOLLOW MATERIAL**

- [806A Silver Copper Silicone, 65 Duro](#)
- [805B Silver Aluminum Silicone](#)
- [816C Silver Copper Fluorosilicone](#)
- [815D Silver Aluminum Fluorosilicone](#)
- [808E Pure Silver Silicone, 65 Duro](#)
- [818F Pure Silver Fluorosilicone](#)
- [808H Pure Silver Silicone, 80 Duro](#)
- [806K Silver Copper Silicone, 85 Duro](#)
- [804L Silver Nickel Silicone](#)
- [803M Silver Glass Silicone](#)
- [801 Carbon Silicone](#)
- [802 Nickel Graphite Silicone](#)
- [812 Nickel Graphite Fluorosilicone](#)



- SOLID ROUND
- HOLLOW ROUND
- SOLID RECTANGLE
- SOLID D PROFILE
- HOLLOW D PROFILE
- P PROFILE
- U PROFILE

**Material 806A – D Profile Hollow**

[Material 806A Data Sheet](#)

MIL SPEC No.	NJB Part No.	Dimension A (mm)	Dimension B (mm)	Dimension C (mm)	Dimension D (mm)	RFQ or Information
M83528/007A001	806A-0402	.156 (3.96)	.078 (1.98)	.078 (1.98)	.045 (1.14)	<input type="checkbox"/>
M83528/007A002	806A-0403	.187 (4.75)	.093 (2.36)	.093 (2.36)	.050 (1.27)	<input type="checkbox"/>
M83528/007A003	806A-0404	.312 (7.92)	.156 (3.96)	.156 (3.96)	.062 (1.57)	<input type="checkbox"/>
M83528/007A004	806A-0405	.312 (7.92)	.156 (3.96)	.156 (3.96)	.062 (1.57)	<input type="checkbox"/>
M83528/007A005	806A-0406	.312 (7.92)	.200 (5.08)	.112 (2.84)	.062 (1.57)	<input type="checkbox"/>
M83528/007A006	806A-0408	.487 (12.37)	.080(2.03)	.244 (6.20)	.080 (2.03)	<input type="checkbox"/>
M83528/007A007	806A-0409	.250 (6.35)	.125 (3.18)	.125 (3.18)	.065 (1.65)	<input type="checkbox"/>

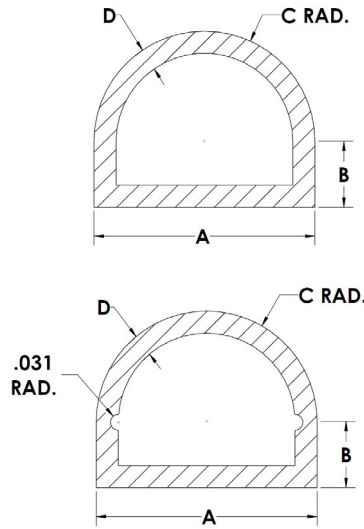
**Material 805B – D Profile Hollow**

[Material 805B Data Sheet](#)

MIL SPEC No.	NJB Part No.	Dimension A (mm)	Dimension B (mm)	Dimension C (mm)	Dimension D (mm)	RFQ or Information
M83528/007B001	805-0402	.156 (3.96)	.078 (1.98)	.078 (1.98)	.045 (1.14)	<input type="checkbox"/>
M83528/007B002	805-0403	.187 (4.75)	.093 (2.36)	.093 (2.36)	.050 (1.27)	<input type="checkbox"/>
M83528/007B003	805-0404	.312 (7.92)	.156 (3.96)	.156 (3.96)	.062 (1.57)	<input type="checkbox"/>
M83528/007B004	805-0405	.312 (7.92)	.156 (3.96)	.156 (3.96)	.062 (1.57)	<input type="checkbox"/>
M83528/007B005	805-0406	.312 (7.92)	.200 (5.08)	.112 (2.84)	.062 (1.57)	<input type="checkbox"/>
M83528/007B006	805-0408	.487 (12.37)	.080(2.03)	.244 (6.20)	.080 (2.03)	<input type="checkbox"/>
M83528/007B007	805-0409	.250 (6.35)	.125 (3.18)	.125 (3.18)	.065 (1.65)	<input type="checkbox"/>

**GO TO D PROFILE HOLLOW MATERIAL**

- [806A Silver Copper Silicone, 65 Duro](#)
- [805B Silver Aluminum Silicone](#)
- [816C Silver Copper Fluorosilicone](#)
- [815D Silver Aluminum Fluorosilicone](#)
- [808E Pure Silver Silicone, 65 Duro](#)
- [818F Pure Silver Fluorosilicone](#)
- [808H Pure Silver Silicone, 80 Duro](#)
- [806K Silver Copper Silicone, 85 Duro](#)
- [804L Silver Nickel Silicone](#)
- [803M Silver Glass Silicone](#)
- [801 Carbon Silicone](#)
- [802 Nickel Graphite Silicone](#)
- [812 Nickel Graphite Fluorosilicone](#)



- SOLID ROUND
- HOLLOW ROUND
- SOLID RECTANGLE
- SOLID D PROFILE
- HOLLOW D PROFILE
- P PROFILE
- U PROFILE

**Material 816C – D Profile Hollow**

[Material 816C Data Sheet](#)

MIL SPEC No.	NJB Part No.	Dimension A (mm)	Dimension B (mm)	Dimension C (mm)	Dimension D (mm)	RFQ or Information
M83528/007C001	816-0402	.156 (3.96)	.078 (1.98)	.078 (1.98)	.045 (1.14)	
M83528/007C002	816-0403	.187 (4.75)	.093 (2.36)	.093 (2.36)	.050 (1.27)	
M83528/007C003	816-0404	.312 (7.92)	.156 (3.96)	.156 (3.96)	.062 (1.57)	
M83528/007C004	816-0405	.312 (7.92)	.156 (3.96)	.156 (3.96)	.062 (1.57)	
M83528/007C005	816-0406	.312 (7.92)	.200 (5.08)	.112 (2.84)	.062 (1.57)	
M83528/007C006	816-0408	.487 (12.37)	.080(2.03)	.244 (6.20)	.080 (2.03)	
M83528/007C007	816-0409	.250 (6.35)	.125 (3.18)	.125 (3.18)	.065 (1.65)	

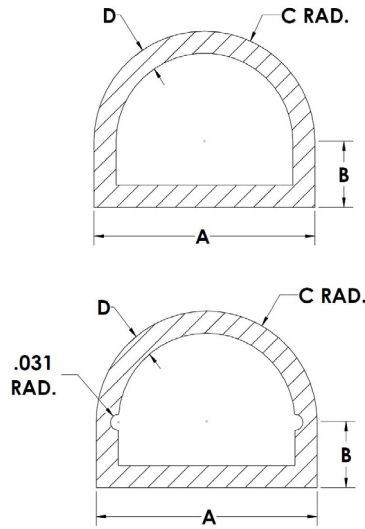
**Material 815D – D Profile Hollow**

[Material 815D Data Sheet](#)

MIL SPEC No.	NJB Part No.	Dimension A (mm)	Dimension B (mm)	Dimension C (mm)	Dimension D (mm)	RFQ or Information
M83528/007D001	815-0402	.156 (3.96)	.078 (1.98)	.078 (1.98)	.045 (1.14)	
M83528/007D002	815-0403	.187 (4.75)	.093 (2.36)	.093 (2.36)	.050 (1.27)	
M83528/007D003	815-0404	.312 (7.92)	.156 (3.96)	.156 (3.96)	.062 (1.57)	
M83528/007D004	815-0405	.312 (7.92)	.156 (3.96)	.156 (3.96)	.062 (1.57)	
M83528/007D005	815-0406	.312 (7.92)	.200 (5.08)	.112 (2.84)	.062 (1.57)	
M83528/007D006	815-0408	.487 (12.37)	.080(2.03)	.244 (6.20)	.080 (2.03)	
M83528/007D007	815-0409	.250 (6.35)	.125 (3.18)	.125 (3.18)	.065 (1.65)	

### GO TO D PROFILE HOLLOW MATERIAL

- [806A Silver Copper Silicone, 65 Duro](#)
- [805B Silver Aluminum Silicone](#)
- [816C Silver Copper Fluorosilicone](#)
- [815D Silver Aluminum Fluorosilicone](#)
- [808E Pure Silver Silicone, 65 Duro](#)
- [818F Pure Silver Fluorosilicone](#)
- [808H Pure Silver Silicone, 80 Duro](#)
- [806K Silver Copper Silicone, 85 Duro](#)
- [804L Silver Nickel Silicone](#)
- [803M Silver Glass Silicone](#)
- [801 Carbon Silicone](#)
- [802 Nickel Graphite Silicone](#)
- [812 Nickel Graphite Fluorosilicone](#)



- SOLID ROUND
- HOLLOW ROUND
- SOLID RECTANGLE
- SOLID D PROFILE
- HOLLOW D PROFILE
- P PROFILE
- U PROFILE

### Material 808E – D Profile Hollow

[Material 808E Data Sheet](#)

MIL SPEC No.	NJB Part No.	Dimension A (mm)	Dimension B (mm)	Dimension C (mm)	Dimension D (mm)	RFQ or Information
M83528/007E001	808E-0402	.156 (3.96)	.078 (1.98)	.078 (1.98)	.045 (1.14)	✉
M83528/007E002	808E-0403	.187 (4.75)	.093 (2.36)	.093 (2.36)	.050 (1.27)	✉
M83528/007E003	808E-0404	.312 (7.92)	.156 (3.96)	.156 (3.96)	.062 (1.57)	✉
M83528/007E004	808E-0405	.312 (7.92)	.156 (3.96)	.156 (3.96)	.062 (1.57)	✉
M83528/007E005	808E-0406	.312 (7.92)	.200 (5.08)	.112 (2.84)	.062 (1.57)	✉
M83528/007E006	808E-0408	.487 (12.37)	.080 (2.03)	.244 (6.20)	.080 (2.03)	✉
M83528/007E007	808E-0409	.250 (6.35)	.125 (3.18)	.125 (3.18)	.065 (1.65)	✉

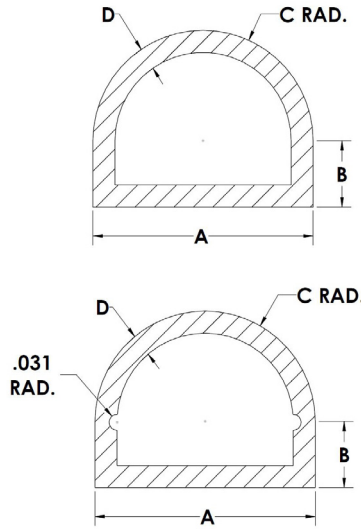
### Material 818F – D Profile Hollow

[Material 818F Data Sheet](#)

MIL SPEC No.	NJB Part No.	Dimension A (mm)	Dimension B (mm)	Dimension C (mm)	Dimension D (mm)	RFQ or Information
M83528/007F001	818-0402	.156 (3.96)	.078 (1.98)	.078 (1.98)	.045 (1.14)	✉
M83528/007F002	818-0403	.187 (4.75)	.093 (2.36)	.093 (2.36)	.050 (1.27)	✉
M83528/007F003	818-0404	.312 (7.92)	.156 (3.96)	.156 (3.96)	.062 (1.57)	✉
M83528/007F004	818-0405	.312 (7.92)	.156 (3.96)	.156 (3.96)	.062 (1.57)	✉
M83528/007F005	818-0406	.312 (7.92)	.200 (5.08)	.112 (2.84)	.062 (1.57)	✉
M83528/007F006	818-0408	.487 (12.37)	.080 (2.03)	.244 (6.20)	.080 (2.03)	✉
M83528/007F007	818-0409	.250 (6.35)	.125 (3.18)	.125 (3.18)	.065 (1.65)	✉

**GO TO D PROFILE HOLLOW MATERIAL**

- [806A Silver Copper Silicone, 65 Duro](#)
- [805B Silver Aluminum Silicone](#)
- [816C Silver Copper Fluorosilicone](#)
- [815D Silver Aluminum Fluorosilicone](#)
- [808E Pure Silver Silicone, 65 Duro](#)
- [818F Pure Silver Fluorosilicone](#)
- [808H Pure Silver Silicone, 80 Duro](#)
- [806K Silver Copper Silicone, 85 Duro](#)
- [804L Silver Nickel Silicone](#)
- [803M Silver Glass Silicone](#)
- [801 Carbon Silicone](#)
- [802 Nickel Graphite Silicone](#)
- [812 Nickel Graphite Fluorosilicone](#)



- SOLID ROUND
- HOLLOW ROUND
- SOLID RECTANGLE
- SOLID D PROFILE
- HOLLOW D PROFILE
- P PROFILE
- U PROFILE

**Material 808H – D Profile Hollow**

[Material 808H Data Sheet](#)

MIL SPEC No.	NJB Part No.	Dimension A (mm)	Dimension B (mm)	Dimension C (mm)	Dimension D (mm)	RFQ or Information
M83528/007H001	808H-0402	.156 (3.96)	.078 (1.98)	.078 (1.98)	.045 (1.14)	✉
M83528/007H002	808H-0403	.187 (4.75)	.093 (2.36)	.093 (2.36)	.050 (1.27)	✉
M83528/007H003	808H-0404	.312 (7.92)	.156 (3.96)	.156 (3.96)	.062 (1.57)	✉
M83528/007H004	808H-0405	.312 (7.92)	.156 (3.96)	.156 (3.96)	.062 (1.57)	✉
M83528/007H005	808H-0406	.312 (7.92)	.200 (5.08)	.112 (2.84)	.062 (1.57)	✉
M83528/007H006	808H-0408	.487 (12.37)	.080(2.03)	.244 (6.20)	.080 (2.03)	✉
M83528/007H007	808H-0409	.250 (6.35)	.125 (3.18)	.125 (3.18)	.065 (1.65)	✉

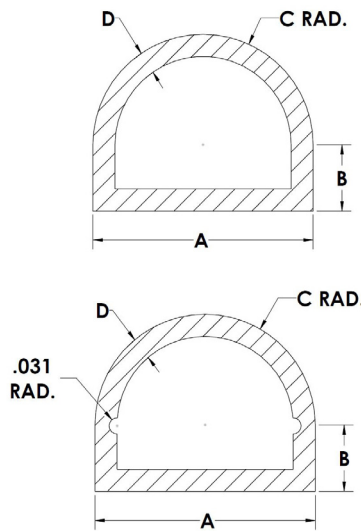
**Material 806K – D Profile Hollow**

[Material 806K Data Sheet](#)

MIL SPEC No.	NJB Part No.	Dimension A (mm)	Dimension B (mm)	Dimension C (mm)	Dimension D (mm)	RFQ or Information
M83528/007K001	806K-0402	.156 (3.96)	.078 (1.98)	.078 (1.98)	.045 (1.14)	✉
M83528/007K002	806K-0403	.187 (4.75)	.093 (2.36)	.093 (2.36)	.050 (1.27)	✉
M83528/007K003	806K-0404	.312 (7.92)	.156 (3.96)	.156 (3.96)	.062 (1.57)	✉
M83528/007K004	806K-0405	.312 (7.92)	.156 (3.96)	.156 (3.96)	.062 (1.57)	✉
M83528/007K005	806K-0406	.312 (7.92)	.200 (5.08)	.112 (2.84)	.062 (1.57)	✉
M83528/007K006	806K-0408	.487 (12.37)	.080(2.03)	.244 (6.20)	.080 (2.03)	✉
M83528/007K007	806K-0409	.250 (6.35)	.125 (3.18)	.125 (3.18)	.065 (1.65)	✉

**GO TO D PROFILE HOLLOW MATERIAL**

- [806A Silver Copper Silicone, 65 Duro](#)
- [805B Silver Aluminum Silicone](#)
- [816C Silver Copper Fluorosilicone](#)
- [815D Silver Aluminum Fluorosilicone](#)
- [808E Pure Silver Silicone, 65 Duro](#)
- [818F Pure Silver Fluorosilicone](#)
- [808H Pure Silver Silicone, 80 Duro](#)
- [806K Silver Copper Silicone, 85 Duro](#)
- [804L Silver Nickel Silicone](#)
- [803M Silver Glass Silicone](#)
- [801 Carbon Silicone](#)
- [802 Nickel Graphite Silicone](#)
- [812 Nickel Graphite Fluorosilicone](#)



- SOLID ROUND
- HOLLOW ROUND
- SOLID RECTANGLE
- SOLID D PROFILE
- HOLLOW D PROFILE
- P PROFILE
- U PROFILE

**Material 804L – D Profile Hollow**

[Material 804L Data Sheet](#)

MIL SPEC No.	NJB Part No.	Dimension A (mm)	Dimension B (mm)	Dimension C (mm)	Dimension D (mm)	RFQ or Information
M83528/007L001	804-0402	.156 (3.96)	.078 (1.98)	.078 (1.98)	.045 (1.14)	<a href="#">✉</a>
M83528/007L002	804-0403	.187 (4.75)	.093 (2.36)	.093 (2.36)	.050 (1.27)	<a href="#">✉</a>
M83528/007L003	804-0404	.312 (7.92)	.156 (3.96)	.156 (3.96)	.062 (1.57)	<a href="#">✉</a>
M83528/007L004	804-0405	.312 (7.92)	.156 (3.96)	.156 (3.96)	.062 (1.57)	<a href="#">✉</a>
M83528/007L005	804-0406	.312 (7.92)	.200 (5.08)	.112 (2.84)	.062 (1.57)	<a href="#">✉</a>
M83528/007L006	804-0408	.487 (12.37)	.080(2.03)	.244 (6.20)	.080 (2.03)	<a href="#">✉</a>
M83528/007L007	804-0409	.250 (6.35)	.125 (3.18)	.125 (3.18)	.065 (1.65)	<a href="#">✉</a>

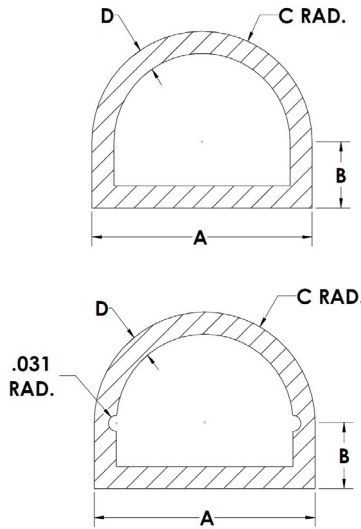
**Material 803M – D Profile Hollow**

[Material 803M Data Sheet](#)

MIL SPEC No.	NJB Part No.	Dimension A (mm)	Dimension B (mm)	Dimension C (mm)	Dimension D (mm)	RFQ or Information
M83528/007M001	803-0402	.156 (3.96)	.078 (1.98)	.078 (1.98)	.045 (1.14)	<a href="#">✉</a>
M83528/007M002	803-0403	.187 (4.75)	.093 (2.36)	.093 (2.36)	.050 (1.27)	<a href="#">✉</a>
M83528/007M003	803-0404	.312 (7.92)	.156 (3.96)	.156 (3.96)	.062 (1.57)	<a href="#">✉</a>
M83528/007M004	803-0405	.312 (7.92)	.156 (3.96)	.156 (3.96)	.062 (1.57)	<a href="#">✉</a>
M83528/007M005	803-0406	.312 (7.92)	.200 (5.08)	.112 (2.84)	.062 (1.57)	<a href="#">✉</a>
M83528/007M006	803-0408	.487 (12.37)	.080(2.03)	.244 (6.20)	.080 (2.03)	<a href="#">✉</a>
M83528/007M007	803-0409	.250 (6.35)	.125 (3.18)	.125 (3.18)	.065 (1.65)	<a href="#">✉</a>

**GO TO D PROFILE HOLLOW MATERIAL**

- [806A Silver Copper Silicone, 65 Duro](#)
- [805B Silver Aluminum Silicone](#)
- [816C Silver Copper Fluorosilicone](#)
- [815D Silver Aluminum Fluorosilicone](#)
- [808E Pure Silver Silicone, 65 Duro](#)
- [818F Pure Silver Fluorosilicone](#)
- [808H Pure Silver Silicone, 80 Duro](#)
- [806K Silver Copper Silicone, 85 Duro](#)
- [804L Silver Nickel Silicone](#)
- [803M Silver Glass Silicone](#)
- [801 Carbon Silicone](#)
- [802 Nickel Graphite Silicone](#)
- [812 Nickel Graphite Fluorosilicone](#)



- SOLID ROUND
- HOLLOW ROUND
- SOLID RECTANGLE
- SOLID D PROFILE
- HOLLOW D PROFILE
- P PROFILE
- U PROFILE

**Material 801 – D Profile Hollow**

[Material 801 Data Sheet](#)

MIL SPEC No.	NJB Part No.	Dimension A (mm)	Dimension B (mm)	Dimension C (mm)	Dimension D (mm)	RFQ or Information
N/A	801-0402	.156 (3.96)	.078 (1.98)	.078 (1.98)	.045 (1.14)	<input type="checkbox"/>
N/A	801-0403	.187 (4.75)	.093 (2.36)	.093 (2.36)	.050 (1.27)	<input type="checkbox"/>
N/A	801-0404	.312 (7.92)	.156 (3.96)	.156 (3.96)	.062 (1.57)	<input type="checkbox"/>
N/A	801-0405	.312 (7.92)	.156 (3.96)	.156 (3.96)	.062 (1.57)	<input type="checkbox"/>
N/A	801-0406	.312 (7.92)	.200 (5.08)	.112 (2.84)	.062 (1.57)	<input type="checkbox"/>
N/A	801-0408	.487 (12.37)	.080(2.03)	.244 (6.20)	.080 (2.03)	<input type="checkbox"/>
N/A	801-0409	.250 (6.35)	.125 (3.18)	.125 (3.18)	.065 (1.65)	<input type="checkbox"/>

**Material 802 – D Profile Hollow**

[Material 802 Data Sheet](#)

MIL SPEC No.	NJB Part No.	Dimension A (mm)	Dimension B (mm)	Dimension C (mm)	Dimension D (mm)	RFQ or Information
N/A	802-0402	.156 (3.96)	.078 (1.98)	.078 (1.98)	.045 (1.14)	<input type="checkbox"/>
N/A	802-0403	.187 (4.75)	.093 (2.36)	.093 (2.36)	.050 (1.27)	<input type="checkbox"/>
N/A	802-0404	.312 (7.92)	.156 (3.96)	.156 (3.96)	.062 (1.57)	<input type="checkbox"/>
N/A	802-0405	.312 (7.92)	.156 (3.96)	.156 (3.96)	.062 (1.57)	<input type="checkbox"/>
N/A	802-0406	.312 (7.92)	.200 (5.08)	.112 (2.84)	.062 (1.57)	<input type="checkbox"/>
N/A	802-0408	.487 (12.37)	.080(2.03)	.244 (6.20)	.080 (2.03)	<input type="checkbox"/>
N/A	802-0409	.250 (6.35)	.125 (3.18)	.125 (3.18)	.065 (1.65)	<input type="checkbox"/>

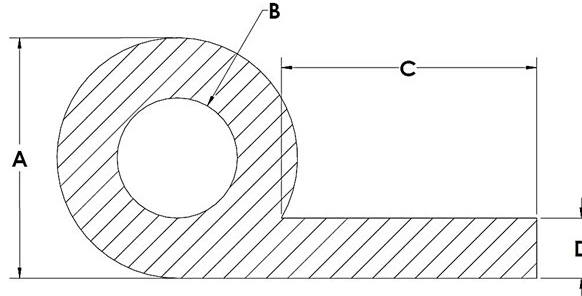
**Material 812 – D Profile Hollow**

[Material 812 Data Sheet](#)

MIL SPEC No.	NJB Part No.	Dimension A (mm)	Dimension B (mm)	Dimension C (mm)	Dimension D (mm)	RFQ or Information
N/A	812-0402	.156 (3.96)	.078 (1.98)	.078 (1.98)	.045 (1.14)	<input type="checkbox"/>
N/A	812-0403	.187 (4.75)	.093 (2.36)	.093 (2.36)	.050 (1.27)	<input type="checkbox"/>
N/A	812-0404	.312 (7.92)	.156 (3.96)	.156 (3.96)	.062 (1.57)	<input type="checkbox"/>
N/A	812-0405	.312 (7.92)	.156 (3.96)	.156 (3.96)	.062 (1.57)	<input type="checkbox"/>
N/A	812-0406	.312 (7.92)	.200 (5.08)	.112 (2.84)	.062 (1.57)	<input type="checkbox"/>
N/A	812-0408	.487 (12.37)	.080(2.03)	.244 (6.20)	.080 (2.03)	<input type="checkbox"/>
N/A	812-0409	.250 (6.35)	.125 (3.18)	.125 (3.18)	.065 (1.65)	<input type="checkbox"/>

**GO TO P PROFILE MATERIAL**

- [806A Silver Copper Silicone, 65 Duro](#)
- [805B Silver Aluminum Silicone](#)
- [816C Silver Copper Fluorosilicone](#)
- [815D Silver Aluminum Fluorosilicone](#)
- [808E Pure Silver Silicone, 65 Duro](#)
- [818F Pure Silver Fluorosilicone](#)
- [808H Pure Silver Silicone, 80 Duro](#)
- [806K Silver Copper Silicone, 85 Duro](#)
- [804L Silver Nickel Silicone](#)
- [803M Silver Glass Silicone](#)
- [801 Carbon Silicone](#)
- [802 Nickel Graphite Silicone](#)
- [812 Nickel Graphite Fluorosilicone](#)



- SOLID ROUND
- HOLLOW ROUND
- SOLID RECTANGLE
- SOLID D PROFILE
- HOLLOW D PROFILE
- P PROFILE
- U PROFILE

**Material 806A – P Profile**

[Material 806A Data Sheet](#)

MIL SPEC No.	NJB Part No.	Dimension A (mm)	Dimension B (mm)	Dimension C (mm)	Dimension D (mm)	RFQ or Information
M83528/008A001	806A-0502	.200 (5.08)	.080 (2.03)	.650 (1.65)	.062 (1.57)	
M83528/008A002	806A-0503	.250 (6.35)	.125 (3.18)	.250 (6.35)	.062 (1.57)	
M83528/008A003	806A-0504	.250 (6.35)	.125 (3.18)	.375 (9.53)	.062 (1.57)	
M83528/008A004	806A-0505	.250 (6.35)	.150 (3.96)	.375 (9.53)	.062 (1.57)	
M83528/008A005	806A-0507	.312 (7.92)	.187 (4.75)	.563 (14.30)	.062 (1.57)	
M83528/008A006	806A-0508	.360 (9.14)	.255 (6.48)	.420 (10.67)	.070 (1.79)	
M83528/008A007	806A-0509	.200 (5.08)	.080 (2.03)	.275 (6.99)	.062 (1.57)	
M83528/008A008	806A-0510	.250 (6.35)	.125 (3.18)	.625 (15.88)	.062 (1.57)	

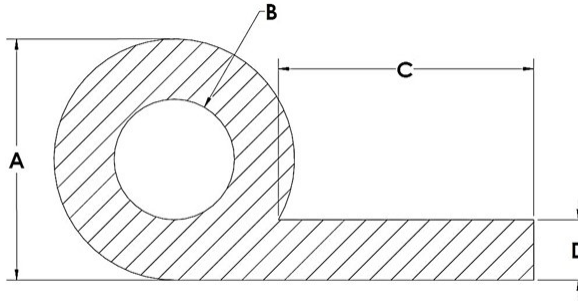
**Material 805B – P Profile**

[Material 805B Data Sheet](#)

MIL SPEC No.	NJB Part No.	Dimension A (mm)	Dimension B (mm)	Dimension C (mm)	Dimension D (mm)	RFQ or Information
M83528/008B001	805-0502	.200 (5.08)	.080 (2.03)	.650 (1.65)	.062 (1.57)	
M83528/008B002	805-0503	.250 (6.35)	.125 (3.18)	.250 (6.35)	.062 (1.57)	
M83528/008B003	805-0504	.250 (6.35)	.125 (3.18)	.375 (9.53)	.062 (1.57)	
M83528/008B004	805-0505	.250 (6.35)	.150 (3.96)	.375 (9.53)	.062 (1.57)	
M83528/008B005	805-0507	.312 (7.92)	.187 (4.75)	.563 (14.30)	.062 (1.57)	
M83528/008B006	805-0508	.360 (9.14)	.255 (6.48)	.420 (10.67)	.070 (1.79)	
M83528/008B007	805-0509	.200 (5.08)	.080 (2.03)	.275 (6.99)	.062 (1.57)	
M83528/008B008	805-0510	.250 (6.35)	.125 (3.18)	.625 (15.88)	.062 (1.57)	

**GO TO P PROFILE MATERIAL**

- [806A Silver Copper Silicone, 65 Duro](#)
- [805B Silver Aluminum Silicone](#)
- [816C Silver Copper Fluorosilicone](#)
- [815D Silver Aluminum Fluorosilicone](#)
- [808E Pure Silver Silicone, 65 Duro](#)
- [818F Pure Silver Fluorosilicone](#)
- [808H Pure Silver Silicone, 80 Duro](#)
- [806K Silver Copper Silicone, 85 Duro](#)
- [804L Silver Nickel Silicone](#)
- [803M Silver Glass Silicone](#)
- [801 Carbon Silicone](#)
- [802 Nickel Graphite Silicone](#)
- [812 Nickel Graphite Fluorosilicone](#)



- SOLID ROUND
- HOLLOW ROUND
- SOLID RECTANGLE
- SOLID D PROFILE
- HOLLOW D PROFILE
- P PROFILE
- U PROFILE

**Material 816C – P Profile**

[Material 816C Data Sheet](#)

MIL SPEC No.	NJB Part No.	Dimension A (mm)	Dimension B (mm)	Dimension C (mm)	Dimension D (mm)	RFQ or Information
M83528/008C001	816-0502	.200 (5.08)	.080 (2.03)	.650 (1.65)	.062 (1.57)	
M83528/008C002	816-0503	.250 (6.35)	.125 (3.18)	.250 (6.35)	.062 (1.57)	
M83528/008C003	816-0504	.250 (6.35)	.125 (3.18)	.375 (9.53)	.062 (1.57)	
M83528/008C004	816-0505	.250 (6.35)	.150 (3.96)	.375 (9.53)	.062 (1.57)	
M83528/008C005	816-0507	.312 (7.92)	.187 (4.75)	.563 (14.30)	.062 (1.57)	
M83528/008C006	816-0508	.360 (9.14)	.255 (6.48)	.420 (10.67)	.070 (1.79)	
M83528/008C007	816-0509	.200 (5.08)	.080 (2.03)	.275 (6.99)	.062 (1.57)	
M83528/008C008	816-0510	.250 (6.35)	.125 (3.18)	.625 (15.88)	.062 (1.57)	

**Material 815D – P Profile**

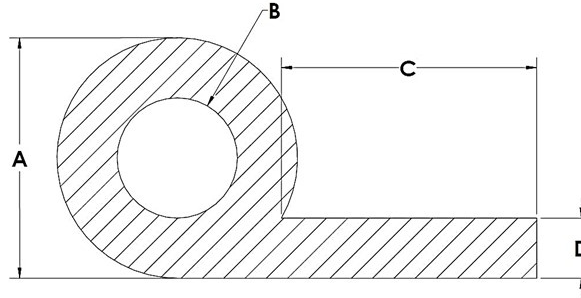
[Material 815D Data Sheet](#)

MIL SPEC No.	NJB Part No.	Dimension A (mm)	Dimension B (mm)	Dimension C (mm)	Dimension D (mm)	RFQ or Information
M83528/008D001	815-0502	.200 (5.08)	.080 (2.03)	.650 (1.65)	.062 (1.57)	
M83528/008D002	815-0503	.250 (6.35)	.125 (3.18)	.250 (6.35)	.062 (1.57)	
M83528/008D003	815-0504	.250 (6.35)	.125 (3.18)	.375 (9.53)	.062 (1.57)	
M83528/008D004	815-0505	.250 (6.35)	.150 (3.96)	.375 (9.53)	.062 (1.57)	
M83528/008D005	815-0507	.312 (7.92)	.187 (4.75)	.563 (14.30)	.062 (1.57)	
M83528/008D006	815-0508	.360 (9.14)	.255 (6.48)	.420 (10.67)	.070 (1.79)	
M83528/008D007	815-0509	.200 (5.08)	.080 (2.03)	.275 (6.99)	.062 (1.57)	
M83528/008D008	815-0510	.250 (6.35)	.125 (3.18)	.625 (15.88)	.062 (1.57)	



**GO TO P PROFILE MATERIAL**

- [806A Silver Copper Silicone, 65 Duro](#)
- [805B Silver Aluminum Silicone](#)
- [816C Silver Copper Fluorosilicone](#)
- [815D Silver Aluminum Fluorosilicone](#)
- [808E Pure Silver Silicone, 65 Duro](#)
- [818F Pure Silver Fluorosilicone](#)
- [808H Pure Silver Silicone, 80 Duro](#)
- [806K Silver Copper Silicone, 85 Duro](#)
- [804L Silver Nickel Silicone](#)
- [803M Silver Glass Silicone](#)
- [801 Carbon Silicone](#)
- [802 Nickel Graphite Silicone](#)
- [812 Nickel Graphite Fluorosilicone](#)



- SOLID ROUND
- HOLLOW ROUND
- SOLID RECTANGLE
- SOLID D PROFILE
- HOLLOW D PROFILE
- P PROFILE
- U PROFILE

**Material 808E – P Profile**

[Material 808E Data Sheet](#)

MIL SPEC No.	NJB Part No.	Dimension A (mm)	Dimension B (mm)	Dimension C (mm)	Dimension D (mm)	RFQ or Information
M83528/008E001	808E-0502	.200 (5.08)	.080 (2.03)	.650 (1.65)	.062 (1.57)	
M83528/008E002	808E-0503	.250 (6.35)	.125 (3.18)	.250 (6.35)	.062 (1.57)	
M83528/008E003	808E-0504	.250 (6.35)	.125 (3.18)	.375 (9.53)	.062 (1.57)	
M83528/008E004	808E-0505	.250 (6.35)	.150 (3.96)	.375 (9.53)	.062 (1.57)	
M83528/008E005	808E-0507	.312 (7.92)	.187 (4.75)	.563 (14.30)	.062 (1.57)	
M83528/008E006	808E-0508	.360 (9.14)	.255 (6.48)	.420 (10.67)	.070 (1.79)	
M83528/008E007	808E-0509	.200 (5.08)	.080 (2.03)	.275 (6.99)	.062 (1.57)	
M83528/008E008	808E-0510	.250 (6.35)	.125 (3.18)	.625 (15.88)	.062 (1.57)	

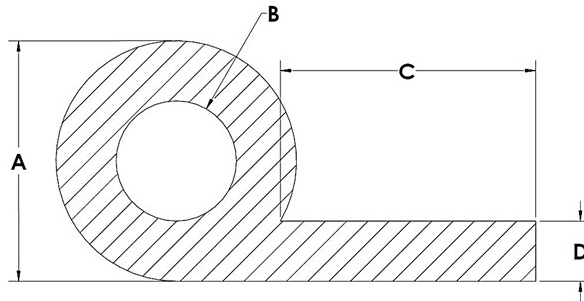
**Material 818F – P Profile**

[Material 818F Data Sheet](#)

MIL SPEC No.	NJB Part No.	Dimension A (mm)	Dimension B (mm)	Dimension C (mm)	Dimension D (mm)	RFQ or Information
M83528/008F001	818-0502	.200 (5.08)	.080 (2.03)	.650 (1.65)	.062 (1.57)	
M83528/008F002	818-0503	.250 (6.35)	.125 (3.18)	.250 (6.35)	.062 (1.57)	
M83528/008F003	818-0504	.250 (6.35)	.125 (3.18)	.375 (9.53)	.062 (1.57)	
M83528/008F004	818-0505	.250 (6.35)	.150 (3.96)	.375 (9.53)	.062 (1.57)	
M83528/008F005	818-0507	.312 (7.92)	.187 (4.75)	.563 (14.30)	.062 (1.57)	
M83528/008F006	818-0508	.360 (9.14)	.255 (6.48)	.420 (10.67)	.070 (1.79)	
M83528/008F007	818-0509	.200 (5.08)	.080 (2.03)	.275 (6.99)	.062 (1.57)	
M83528/008F008	818-0510	.250 (6.35)	.125 (3.18)	.625 (15.88)	.062 (1.57)	

**GO TO P PROFILE MATERIAL**

- [806A Silver Copper Silicone, 65 Duro](#)
- [805B Silver Aluminum Silicone](#)
- [816C Silver Copper Fluorosilicone](#)
- [815D Silver Aluminum Fluorosilicone](#)
- [808E Pure Silver Silicone, 65 Duro](#)
- [818F Pure Silver Fluorosilicone](#)
- [808H Pure Silver Silicone, 80 Duro](#)
- [806K Silver Copper Silicone, 85 Duro](#)
- [804L Silver Nickel Silicone](#)
- [803M Silver Glass Silicone](#)
- [801 Carbon Silicone](#)
- [802 Nickel Graphite Silicone](#)
- [812 Nickel Graphite Fluorosilicone](#)



- SOLID ROUND
- HOLLOW ROUND
- SOLID RECTANGLE
- SOLID D PROFILE
- HOLLOW D PROFILE
- P PROFILE
- U PROFILE

**Material 808H – P Profile**

[Material 808H Data Sheet](#)

MIL SPEC No.	NJB Part No.	Dimension A (mm)	Dimension B (mm)	Dimension C (mm)	Dimension D (mm)	RFQ or Information
M83528/008H001	808H-0502	.200 (5.08)	.080 (2.03)	.650 (1.65)	.062 (1.57)	<input type="checkbox"/>
M83528/008H002	808H-0503	.250 (6.35)	.125 (3.18)	.250 (6.35)	.062 (1.57)	<input type="checkbox"/>
M83528/008H003	808H-0504	.250 (6.35)	.125 (3.18)	.375 (9.53)	.062 (1.57)	<input type="checkbox"/>
M83528/008H004	808H-0505	.250 (6.35)	.150 (3.96)	.375 (9.53)	.062 (1.57)	<input type="checkbox"/>
M83528/008H005	808H-0507	.312 (7.92)	.187 (4.75)	.563 (14.30)	.062 (1.57)	<input type="checkbox"/>
M83528/008H006	808H-0508	.360 (9.14)	.255 (6.48)	.420 (10.67)	.070 (1.79)	<input type="checkbox"/>
M83528/008H007	808H-0509	.200 (5.08)	.080 (2.03)	.275 (6.99)	.062 (1.57)	<input type="checkbox"/>
M83528/008H008	808H-0510	.250 (6.35)	.125 (3.18)	.625 (15.88)	.062 (1.57)	<input type="checkbox"/>

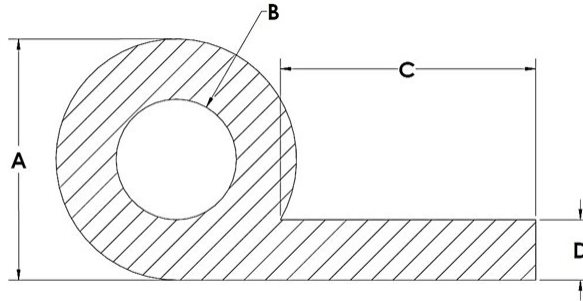
**Material 806K – P Profile**

[Material 806K Data Sheet](#)

MIL SPEC No.	NJB Part No.	Dimension A (mm)	Dimension B (mm)	Dimension C (mm)	Dimension D (mm)	RFQ or Information
M83528/008K001	806K-0502	.200 (5.08)	.080 (2.03)	.650 (1.65)	.062 (1.57)	<input type="checkbox"/>
M83528/008K002	806K-0503	.250 (6.35)	.125 (3.18)	.250 (6.35)	.062 (1.57)	<input type="checkbox"/>
M83528/008K003	806K-0504	.250 (6.35)	.125 (3.18)	.375 (9.53)	.062 (1.57)	<input type="checkbox"/>
M83528/008K004	806K-0505	.250 (6.35)	.150 (3.96)	.375 (9.53)	.062 (1.57)	<input type="checkbox"/>
M83528/008K005	806K-0507	.312 (7.92)	.187 (4.75)	.563 (14.30)	.062 (1.57)	<input type="checkbox"/>
M83528/008K006	806K-0508	.360 (9.14)	.255 (6.48)	.420 (10.67)	.070 (1.79)	<input type="checkbox"/>
M83528/008K007	806K-0509	.200 (5.08)	.080 (2.03)	.275 (6.99)	.062 (1.57)	<input type="checkbox"/>
M83528/008K008	806K-0510	.250 (6.35)	.125 (3.18)	.625 (15.88)	.062 (1.57)	<input type="checkbox"/>

**GO TO P PROFILE MATERIAL**

- [806A Silver Copper Silicone, 65 Duro](#)
- [805B Silver Aluminum Silicone](#)
- [816C Silver Copper Fluorosilicone](#)
- [815D Silver Aluminum Fluorosilicone](#)
- [808E Pure Silver Silicone, 65 Duro](#)
- [818F Pure Silver Fluorosilicone](#)
- [808H Pure Silver Silicone, 80 Duro](#)
- [806K Silver Copper Silicone, 85 Duro](#)
- [804L Silver Nickel Silicone](#)
- [803M Silver Glass Silicone](#)
- [801 Carbon Silicone](#)
- [802 Nickel Graphite Silicone](#)
- [812 Nickel Graphite Fluorosilicone](#)



- SOLID ROUND
- HOLLOW ROUND
- SOLID RECTANGLE
- SOLID D PROFILE
- HOLLOW D PROFILE
- P PROFILE
- U PROFILE

**Material 804L – P Profile**

[Material 804L Data Sheet](#)

MIL SPEC No.	NJB Part No.	Dimension A (mm)	Dimension B (mm)	Dimension C (mm)	Dimension D (mm)	RFQ or Information
M83528/008L001	804-0502	.200 (5.08)	.080 (2.03)	.650 (1.65)	.062 (1.57)	<input type="checkbox"/>
M83528/008L002	804-0503	.250 (6.35)	.125 (3.18)	.250 (6.35)	.062 (1.57)	<input type="checkbox"/>
M83528/008L003	804-0504	.250 (6.35)	.125 (3.18)	.375 (9.53)	.062 (1.57)	<input type="checkbox"/>
M83528/008L004	804-0505	.250 (6.35)	.150 (3.96)	.375 (9.53)	.062 (1.57)	<input type="checkbox"/>
M83528/008L005	804-0507	.312 (7.92)	.187 (4.75)	.563 (14.30)	.062 (1.57)	<input type="checkbox"/>
M83528/008L006	804-0508	.360 (9.14)	.255 (6.48)	.420 (10.67)	.070 (1.79)	<input type="checkbox"/>
M83528/008L007	804-0509	.200 (5.08)	.080 (2.03)	.275 (6.99)	.062 (1.57)	<input type="checkbox"/>
M83528/008L008	804-0510	.250 (6.35)	.125 (3.18)	.625 (15.88)	.062 (1.57)	<input type="checkbox"/>

**Material 803M – P Profile**

[Material 803M Data Sheet](#)

MIL SPEC No.	NJB Part No.	Dimension A (mm)	Dimension B (mm)	Dimension C (mm)	Dimension D (mm)	RFQ or Information
M83528/008M001	803-0502	.200 (5.08)	.080 (2.03)	.650 (1.65)	.062 (1.57)	<input type="checkbox"/>
M83528/008M002	803-0503	.250 (6.35)	.125 (3.18)	.250 (6.35)	.062 (1.57)	<input type="checkbox"/>
M83528/008M003	803-0504	.250 (6.35)	.125 (3.18)	.375 (9.53)	.062 (1.57)	<input type="checkbox"/>
M83528/008M004	803-0505	.250 (6.35)	.150 (3.96)	.375 (9.53)	.062 (1.57)	<input type="checkbox"/>
M83528/008M005	803-0507	.312 (7.92)	.187 (4.75)	.563 (14.30)	.062 (1.57)	<input type="checkbox"/>
M83528/008M006	803-0508	.360 (9.14)	.255 (6.48)	.420 (10.67)	.070 (1.79)	<input type="checkbox"/>
M83528/008M007	803-0509	.200 (5.08)	.080 (2.03)	.275 (6.99)	.062 (1.57)	<input type="checkbox"/>
M83528/008M008	803-0510	.250 (6.35)	.125 (3.18)	.625 (15.88)	.062 (1.57)	<input type="checkbox"/>

[Back to Home Page](#)

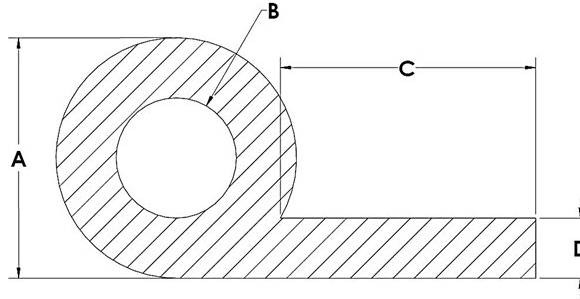
# JABAR®

## P PROFILE EXTRUSION

I need assistance.  
Please contact me.

### GO TO P PROFILE MATERIAL

- [806A Silver Copper Silicone, 65 Duro](#)
- [805B Silver Aluminum Silicone](#)
- [816C Silver Copper Fluorosilicone](#)
- [815D Silver Aluminum Fluorosilicone](#)
- [808E Pure Silver Silicone, 65 Duro](#)
- [818F Pure Silver Fluorosilicone](#)
- [808H Pure Silver Silicone, 80 Duro](#)
- [806K Silver Copper Silicone, 85 Duro](#)
- [804L Silver Nickel Silicone](#)
- [803M Silver Glass Silicone](#)
- [801 Carbon Silicone](#)
- [802 Nickel Graphite Silicone](#)
- [812 Nickel Graphite Fluorosilicone](#)



- SOLID ROUND
- HOLLOW ROUND
- SOLID RECTANGLE
- SOLID D PROFILE
- HOLLOW D PROFILE
- P PROFILE
- U PROFILE

### Material 801 – P Profile

[Material 801 Data Sheet](#)

MIL SPEC No.	NJB Part No.	Dimension A (mm)	Dimension B (mm)	Dimension C (mm)	Dimension D (mm)	RFQ or Information
N/A	801-0502	.200 (5.08)	.080 (2.03)	.650 (1.65)	.062 (1.57)	<input type="checkbox"/>
N/A	801-0503	.250 (6.35)	.125 (3.18)	.250 (6.35)	.062 (1.57)	<input type="checkbox"/>
N/A	801-0504	.250 (6.35)	.125 (3.18)	.375 (9.53)	.062 (1.57)	<input type="checkbox"/>
N/A	801-0505	.250 (6.35)	.150 (3.96)	.375 (9.53)	.062 (1.57)	<input type="checkbox"/>
N/A	801-0507	.312 (7.92)	.187 (4.75)	.563 (14.30)	.062 (1.57)	<input type="checkbox"/>
N/A	801-0508	.360 (9.14)	.255 (6.48)	.420 (10.67)	.070 (1.79)	<input type="checkbox"/>
N/A	801-0509	.200 (5.08)	.080 (2.03)	.275 (6.99)	.062 (1.57)	<input type="checkbox"/>
N/A	801-0510	.250 (6.35)	.125 (3.18)	.625 (15.88)	.062 (1.57)	<input type="checkbox"/>

### Material 802 – P Profile

[Material 802 Data Sheet](#)

MIL SPEC No.	NJB Part No.	Dimension A (mm)	Dimension B (mm)	Dimension C (mm)	Dimension D (mm)	RFQ or Information
N/A	802-0502	.200 (5.08)	.080 (2.03)	.650 (1.65)	.062 (1.57)	<input type="checkbox"/>
N/A	802-0503	.250 (6.35)	.125 (3.18)	.250 (6.35)	.062 (1.57)	<input type="checkbox"/>
N/A	802-0504	.250 (6.35)	.125 (3.18)	.375 (9.53)	.062 (1.57)	<input type="checkbox"/>
N/A	802-0505	.250 (6.35)	.150 (3.96)	.375 (9.53)	.062 (1.57)	<input type="checkbox"/>
N/A	802-0507	.312 (7.92)	.187 (4.75)	.563 (14.30)	.062 (1.57)	<input type="checkbox"/>
N/A	802-0508	.360 (9.14)	.255 (6.48)	.420 (10.67)	.070 (1.79)	<input type="checkbox"/>
N/A	802-0509	.200 (5.08)	.080 (2.03)	.275 (6.99)	.062 (1.57)	<input type="checkbox"/>
N/A	802-0510	.250 (6.35)	.125 (3.18)	.625 (15.88)	.062 (1.57)	<input type="checkbox"/>

### Material 812 – P Profile

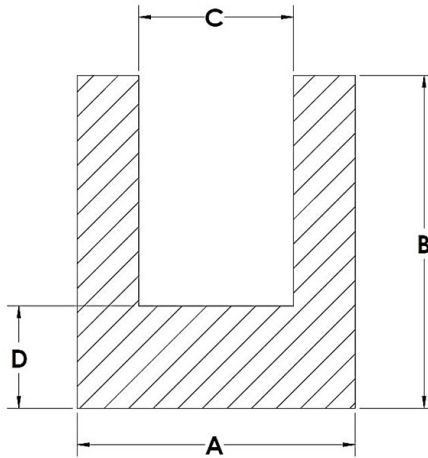
[Material 812 Data Sheet](#)

MIL SPEC No.	NJB Part No.	Dimension A (mm)	Dimension B (mm)	Dimension C (mm)	Dimension D (mm)	RFQ or Information
N/A	812-0502	.200 (5.08)	.080 (2.03)	.650 (1.65)	.062 (1.57)	<input type="checkbox"/>
N/A	812-0503	.250 (6.35)	.125 (3.18)	.250 (6.35)	.062 (1.57)	<input type="checkbox"/>
N/A	812-0504	.250 (6.35)	.125 (3.18)	.375 (9.53)	.062 (1.57)	<input type="checkbox"/>
N/A	812-0505	.250 (6.35)	.150 (3.96)	.375 (9.53)	.062 (1.57)	<input type="checkbox"/>
N/A	812-0507	.312 (7.92)	.187 (4.75)	.563 (14.30)	.062 (1.57)	<input type="checkbox"/>
N/A	812-0508	.360 (9.14)	.255 (6.48)	.420 (10.67)	.070 (1.79)	<input type="checkbox"/>
N/A	812-0509	.200 (5.08)	.080 (2.03)	.275 (6.99)	.062 (1.57)	<input type="checkbox"/>
N/A	812-0510	.250 (6.35)	.125 (3.18)	.625 (15.88)	.062 (1.57)	<input type="checkbox"/>



**GO TO U PROFILE MATERIAL**

- [806A Silver Copper Silicone, 65 Duro](#)
- [805B Silver Aluminum Silicone](#)
- [816C Silver Copper Fluorosilicone](#)
- [815D Silver Aluminum Fluorosilicone](#)
- [808E Pure Silver Silicone, 65 Duro](#)
- [818F Pure Silver Fluorosilicone](#)
- [808H Pure Silver Silicone, 80 Duro](#)
- [806K Silver Copper Silicone, 85 Duro](#)
- [804L Silver Nickel Silicone](#)
- [803M Silver Glass Silicone](#)
- [801 Carbon Silicone](#)
- [802 Nickel Graphite Silicone](#)
- [812 Nickel Graphite Fluorosilicone](#)



- SOLID ROUND
- HOLLOW ROUND
- SOLID RECTANGLE
- SOLID D PROFILE
- HOLLOW D PROFILE
- P PROFILE
- U PROFILE

**Material 806A – U Profile**

[Material 806A Data Sheet](#)

MIL SPEC No.	NJB Part No.	Dimension A (mm)	Dimension B (mm)	Dimension C (mm)	Dimension D (mm)	RFQ or Information
M83528/010A001	806A-0601	0.100 (2.54 mm)	0.100 (2.54)	0.034 (0.86)	0.033 (0.84)	
M83528/010A002	806A-0602	0.126 (3.20)	0.110 (2.79)	0.025 (0.64)	0.050 (1.27)	
M83528/010A003	806A-0603	0.126 (3.20)	0.225 (5.72)	0.020 (0.51)	0.075 (1.91)	
M83528/010A004	806A-0604	0.156 (3.96)	0.156 (3.96)	0.062 (1.57)	0.047 (1.19)	
M83528/010A005	806A-0606	0.175 (4.45)	0.156 (3.96)	0.047 (1.19)	0.075 (1.91)	
M83528/010A006	806A-0607	0.327 (8.31)	0.235 (5.97)	0.062 (1.57)	0.115 (2.92)	

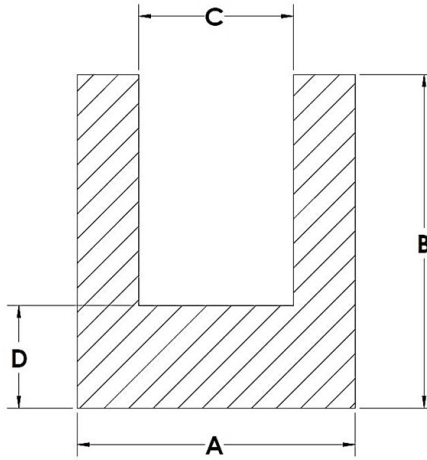
**Material 805B – U Profile**

[Material 805B Data Sheet](#)

MIL SPEC No.	NJB Part No.	Dimension A (mm)	Dimension B (mm)	Dimension C (mm)	Dimension D (mm)	RFQ or Information
M83528/010B001	805-0601	0.100 (2.54 mm)	0.100 (2.54)	0.034 (0.86)	0.033 (0.84)	
M83528/010B002	805-0602	0.126 (3.20)	0.110 (2.79)	0.025 (0.64)	0.050 (1.27)	
M83528/010B003	805-0603	0.126 (3.20)	0.225 (5.72)	0.020 (0.51)	0.075 (1.91)	
M83528/010B004	805-0604	0.156 (3.96)	0.156 (3.96)	0.062 (1.57)	0.047 (1.19)	
M83528/010B005	805-0606	0.175 (4.45)	0.156 (3.96)	0.047 (1.19)	0.075 (1.91)	
M83528/010B006	805-0607	0.327 (8.31)	0.235 (5.97)	0.062 (1.57)	0.115 (2.92)	

**GO TO U PROFILE MATERIAL**

- [806A Silver Copper Silicone, 65 Duro](#)
- [805B Silver Aluminum Silicone](#)
- [816C Silver Copper Fluorosilicone](#)
- [815D Silver Aluminum Fluorosilicone](#)
- [808E Pure Silver Silicone, 65 Duro](#)
- [818F Pure Silver Fluorosilicone](#)
- [808H Pure Silver Silicone, 80 Duro](#)
- [806K Silver Copper Silicone, 85 Duro](#)
- [804L Silver Nickel Silicone](#)
- [803M Silver Glass Silicone](#)
- [801 Carbon Silicone](#)
- [802 Nickel Graphite Silicone](#)
- [812 Nickel Graphite Fluorosilicone](#)



- SOLID ROUND
- HOLLOW ROUND
- SOLID RECTANGLE
- SOLID D PROFILE
- HOLLOW D PROFILE
- P PROFILE
- U PROFILE

**Material 816C – U Profile**

[Material 816C Data Sheet](#)

MIL SPEC No.	NJB Part No.	Dimension A (mm)	Dimension B (mm)	Dimension C (mm)	Dimension D (mm)	RFQ or Information
M83528/010C001	816-0601	0.100 (2.54 mm)	0.100 (2.54)	0.034 (0.86)	0.033 (0.84)	
M83528/010C002	816-0602	0.126 (3.20)	0.110 (2.79)	0.025 (0.64)	0.050 (1.27)	
M83528/010C003	816-0603	0.126 (3.20)	0.225 (5.72)	0.020 (0.51)	0.075 (1.91)	
M83528/010C004	816-0604	0.156 (3.96)	0.156 (3.96)	0.062 (1.57)	0.047 (1.19)	
M83528/010C005	816-0606	0.175 (4.45)	0.156 (3.96)	0.047 (1.19)	0.075 (1.91)	
M83528/010C006	816-0607	0.327 (8.31)	0.235 (5.97)	0.062 (1.57)	0.115 (2.92)	

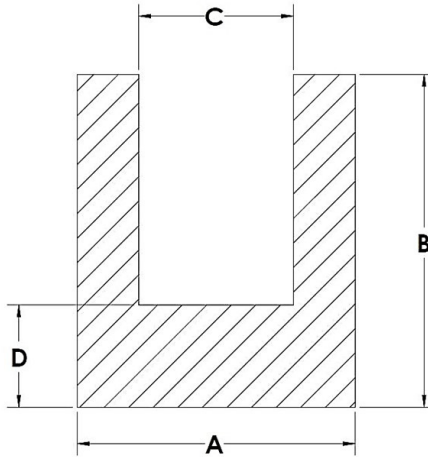
**Material 815D – U Profile**

[Material 815D Data Sheet](#)

MIL SPEC No.	NJB Part No.	Dimension A (mm)	Dimension B (mm)	Dimension C (mm)	Dimension D (mm)	RFQ or Information
M83528/010D001	815-0601	0.100 (2.54 mm)	0.100 (2.54)	0.034 (0.86)	0.033 (0.84)	
M83528/010D002	815-0602	0.126 (3.20)	0.110 (2.79)	0.025 (0.64)	0.050 (1.27)	
M83528/010D003	815-0603	0.126 (3.20)	0.225 (5.72)	0.020 (0.51)	0.075 (1.91)	
M83528/010D004	815-0604	0.156 (3.96)	0.156 (3.96)	0.062 (1.57)	0.047 (1.19)	
M83528/010D005	815-0606	0.175 (4.45)	0.156 (3.96)	0.047 (1.19)	0.075 (1.91)	
M83528/010D006	815-0607	0.327 (8.31)	0.235 (5.97)	0.062 (1.57)	0.115 (2.92)	

**GO TO U PROFILE MATERIAL**

- [806A Silver Copper Silicone, 65 Duro](#)
- [805B Silver Aluminum Silicone](#)
- [816C Silver Copper Fluorosilicone](#)
- [815D Silver Aluminum Fluorosilicone](#)
- [808E Pure Silver Silicone, 65 Duro](#)
- [818F Pure Silver Fluorosilicone](#)
- [808H Pure Silver Silicone, 80 Duro](#)
- [806K Silver Copper Silicone, 85 Duro](#)
- [804L Silver Nickel Silicone](#)
- [803M Silver Glass Silicone](#)
- [801 Carbon Silicone](#)
- [802 Nickel Graphite Silicone](#)
- [812 Nickel Graphite Fluorosilicone](#)



- SOLID ROUND
- HOLLOW ROUND
- SOLID RECTANGLE
- SOLID D PROFILE
- HOLLOW D PROFILE
- P PROFILE
- U PROFILE

**Material 808E – U Profile**

[Material 808E Data Sheet](#)

MIL SPEC No.	NJB Part No.	Dimension A (mm)	Dimension B (mm)	Dimension C (mm)	Dimension D (mm)	RFQ or Information
M83528/010E001	808E-0601	0.100 (2.54 mm)	0.100 (2.54)	0.034 (0.86)	0.033 (0.84)	<input type="checkbox"/>
M83528/010E002	808E-0602	0.126 (3.20)	0.110 (2.79)	0.025 (0.64)	0.050 (1.27)	<input type="checkbox"/>
M83528/010E003	808E-0603	0.126 (3.20)	0.225 (5.72)	0.020 (0.51)	0.075 (1.91)	<input type="checkbox"/>
M83528/010E004	808E-0604	0.156 (3.96)	0.156 (3.96)	0.062 (1.57)	0.047 (1.19)	<input type="checkbox"/>
M83528/010E005	808E-0606	0.175 (4.45)	0.156 (3.96)	0.047 (1.19)	0.075 (1.91)	<input type="checkbox"/>
M83528/010E006	808E-0607	0.327 (8.31)	0.235 (5.97)	0.062 (1.57)	0.115 (2.92)	<input type="checkbox"/>

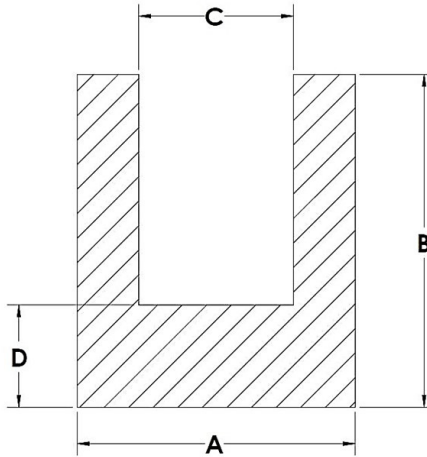
**Material 818F – U Profile**

[Material 818F Data Sheet](#)

MIL SPEC No.	NJB Part No.	Dimension A (mm)	Dimension B (mm)	Dimension C (mm)	Dimension D (mm)	RFQ or Information
M83528/010F001	818-0601	0.100 (2.54 mm)	0.100 (2.54)	0.034 (0.86)	0.033 (0.84)	<input type="checkbox"/>
M83528/010F002	818-0602	0.126 (3.20)	0.110 (2.79)	0.025 (0.64)	0.050 (1.27)	<input type="checkbox"/>
M83528/010F003	818-0603	0.126 (3.20)	0.225 (5.72)	0.020 (0.51)	0.075 (1.91)	<input type="checkbox"/>
M83528/010F004	818-0604	0.156 (3.96)	0.156 (3.96)	0.062 (1.57)	0.047 (1.19)	<input type="checkbox"/>
M83528/010F005	818-0606	0.175 (4.45)	0.156 (3.96)	0.047 (1.19)	0.075 (1.91)	<input type="checkbox"/>
M83528/010F006	818-0607	0.327 (8.31)	0.235 (5.97)	0.062 (1.57)	0.115 (2.92)	<input type="checkbox"/>

**GO TO U PROFILE MATERIAL**

- [806A Silver Copper Silicone, 65 Duro](#)
- [805B Silver Aluminum Silicone](#)
- [816C Silver Copper Fluorosilicone](#)
- [815D Silver Aluminum Fluorosilicone](#)
- [808E Pure Silver Silicone, 65 Duro](#)
- [818F Pure Silver Fluorosilicone](#)
- [808H Pure Silver Silicone, 80 Duro](#)
- [806K Silver Copper Silicone, 85 Duro](#)
- [804L Silver Nickel Silicone](#)
- [803M Silver Glass Silicone](#)
- [801 Carbon Silicone](#)
- [802 Nickel Graphite Silicone](#)
- [812 Nickel Graphite Fluorosilicone](#)



- SOLID ROUND
- HOLLOW ROUND
- SOLID RECTANGLE
- SOLID D PROFILE
- HOLLOW D PROFILE
- P PROFILE
- U PROFILE

**Material 808H – U Profile**

[Material 808H Data Sheet](#)

MIL SPEC No.	NJB Part No.	Dimension A (mm)	Dimension B (mm)	Dimension C (mm)	Dimension D (mm)	RFQ or Information
M83528/010H001	808H-0601	0.100 (2.54 mm)	0.100 (2.54)	0.034 (0.86)	0.033 (0.84)	
M83528/010H002	808H-0602	0.126 (3.20)	0.110 (2.79)	0.025 (0.64)	0.050 (1.27)	
M83528/010H003	808H-0603	0.126 (3.20)	0.225 (5.72)	0.020 (0.51)	0.075 (1.91)	
M83528/010H004	808H-0604	0.156 (3.96)	0.156 (3.96)	0.062 (1.57)	0.047 (1.19)	
M83528/010H005	808H-0606	0.175 (4.45)	0.156 (3.96)	0.047 (1.19)	0.075 (1.91)	
M83528/010H006	808H-0607	0.327 (8.31)	0.235 (5.97)	0.062 (1.57)	0.115 (2.92)	

**Material 806K – U Profile**

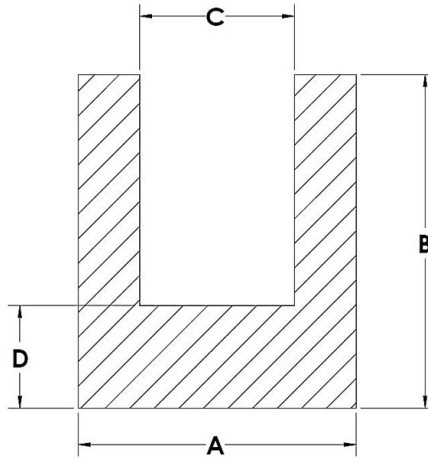
[Material 806K Data Sheet](#)

MIL SPEC No.	NJB Part No.	Dimension A (mm)	Dimension B (mm)	Dimension C (mm)	Dimension D (mm)	RFQ or Information
M83528/010K001	806K-0601	0.100 (2.54 mm)	0.100 (2.54)	0.034 (0.86)	0.033 (0.84)	
M83528/010K002	806K-0602	0.126 (3.20)	0.110 (2.79)	0.025 (0.64)	0.050 (1.27)	
M83528/010K003	806K-0603	0.126 (3.20)	0.225 (5.72)	0.020 (0.51)	0.075 (1.91)	
M83528/010K004	806K-0604	0.156 (3.96)	0.156 (3.96)	0.062 (1.57)	0.047 (1.19)	
M83528/010K005	806K-0606	0.175 (4.45)	0.156 (3.96)	0.047 (1.19)	0.075 (1.91)	
M83528/010K006	806K-0607	0.327 (8.31)	0.235 (5.97)	0.062 (1.57)	0.115 (2.92)	



**GO TO U PROFILE MATERIAL**

- [806A Silver Copper Silicone, 65 Duro](#)
- [805B Silver Aluminum Silicone](#)
- [816C Silver Copper Fluorosilicone](#)
- [815D Silver Aluminum Fluorosilicone](#)
- [808E Pure Silver Silicone, 65 Duro](#)
- [818F Pure Silver Fluorosilicone](#)
- [808H Pure Silver Silicone, 80 Duro](#)
- [806K Silver Copper Silicone, 85 Duro](#)
- [804L Silver Nickel Silicone](#)**
- [803M Silver Glass Silicone](#)
- [801 Carbon Silicone](#)
- [802 Nickel Graphite Silicone](#)
- [812 Nickel Graphite Fluorosilicone](#)



- SOLID ROUND
- HOLLOW ROUND
- SOLID RECTANGLE
- SOLID D PROFILE
- HOLLOW D PROFILE
- P PROFILE
- U PROFILE**

**Material 804L – U Profile**

[Material 804L Data Sheet](#)

MIL SPEC No.	NJB Part No.	Dimension A (mm)	Dimension B (mm)	Dimension C (mm)	Dimension D (mm)	RFQ or Information
M83528/010L001	804-0601	0.100 (2.54 mm)	0.100 (2.54)	0.034 (0.86)	0.033 (0.84)	
M83528/010L002	804-0602	0.126 (3.20)	0.110 (2.79)	0.025 (0.64)	0.050 (1.27)	
M83528/010L003	804-0603	0.126 (3.20)	0.225 (5.72)	0.020 (0.51)	0.075 (1.91)	
M83528/010L004	804-0604	0.156 (3.96)	0.156 (3.96)	0.062 (1.57)	0.047 (1.19)	
M83528/010L005	804-0606	0.175 (4.45)	0.156 (3.96)	0.047 (1.19)	0.075 (1.91)	
M83528/010L006	804-0607	0.327 (8.31)	0.235 (5.97)	0.062 (1.57)	0.115 (2.92)	

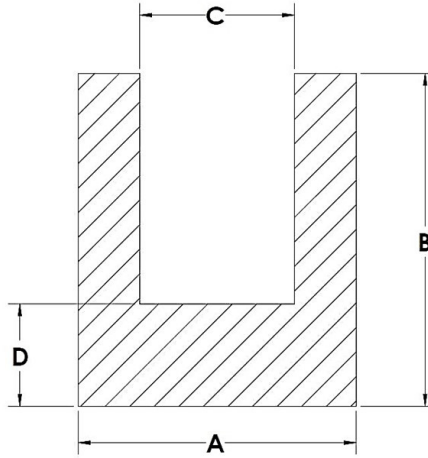
**Material 803M – U Profile**

[Material 803M Data Sheet](#)

MIL SPEC No.	NJB Part No.	Dimension A (mm)	Dimension B (mm)	Dimension C (mm)	Dimension D (mm)	RFQ or Information
M83528/010M001	803-0601	0.100 (2.54 mm)	0.100 (2.54)	0.034 (0.86)	0.033 (0.84)	
M83528/010M002	803-0602	0.126 (3.20)	0.110 (2.79)	0.025 (0.64)	0.050 (1.27)	
M83528/010M003	803-0603	0.126 (3.20)	0.225 (5.72)	0.020 (0.51)	0.075 (1.91)	
M83528/010M004	803-0604	0.156 (3.96)	0.156 (3.96)	0.062 (1.57)	0.047 (1.19)	
M83528/010M005	803-0606	0.175 (4.45)	0.156 (3.96)	0.047 (1.19)	0.075 (1.91)	
M83528/010M006	803-0607	0.327 (8.31)	0.235 (5.97)	0.062 (1.57)	0.115 (2.92)	

**GO TO U PROFILE MATERIAL**

- [806A Silver Copper Silicone, 65 Duro](#)
- [805B Silver Aluminum Silicone](#)
- [816C Silver Copper Fluorosilicone](#)
- [815D Silver Aluminum Fluorosilicone](#)
- [808E Pure Silver Silicone, 65 Duro](#)
- [818F Pure Silver Fluorosilicone](#)
- [808H Pure Silver Silicone, 80 Duro](#)
- [806K Silver Copper Silicone, 85 Duro](#)
- [804L Silver Nickel Silicone](#)
- [803M Silver Glass Silicone](#)
- [801 Carbon Silicone](#)
- [802 Nickel Graphite Silicone](#)
- [812 Nickel Graphite Fluorosilicone](#)



- SOLID ROUND
- HOLLOW ROUND
- SOLID RECTANGLE
- SOLID D PROFILE
- HOLLOW D PROFILE
- P PROFILE
- U PROFILE

**Material 801 – U Profile**

[Material 801 Data Sheet](#)

MIL SPEC No.	NJB Part No.	Dimension A (mm)	Dimension B (mm)	Dimension C (mm)	Dimension D (mm)	RFQ or Information
N/A	801-0601	0.100 (2.54 mm)	0.100 (2.54)	0.034 (0.86)	0.033 (0.84)	
N/A	801-0602	0.126 (3.20)	0.110 (2.79)	0.025 (0.64)	0.050 (1.27)	
N/A	801-0603	0.126 (3.20)	0.225 (5.72)	0.020 (0.51)	0.075 (1.91)	
N/A	801-0604	0.156 (3.96)	0.156 (3.96)	0.062 (1.57)	0.047 (1.19)	
N/A	801-0606	0.175 (4.45)	0.156 (3.96)	0.047 (1.19)	0.075 (1.91)	
N/A	801-0607	0.327 (8.31)	0.235 (5.97)	0.062 (1.57)	0.115 (2.92)	

**Material 802 – U Profile**

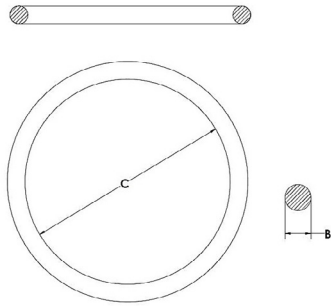
[Material 802 Data Sheet](#)

MIL SPEC No.	NJB Part No.	Dimension A (mm)	Dimension B (mm)	Dimension C (mm)	Dimension D (mm)	RFQ or Information
N/A	802-0601	0.100 (2.54 mm)	0.100 (2.54)	0.034 (0.86)	0.033 (0.84)	
N/A	802-0602	0.126 (3.20)	0.110 (2.79)	0.025 (0.64)	0.050 (1.27)	
N/A	802-0603	0.126 (3.20)	0.225 (5.72)	0.020 (0.51)	0.075 (1.91)	
N/A	802-0604	0.156 (3.96)	0.156 (3.96)	0.062 (1.57)	0.047 (1.19)	
N/A	802-0606	0.175 (4.45)	0.156 (3.96)	0.047 (1.19)	0.075 (1.91)	
N/A	802-0607	0.327 (8.31)	0.235 (5.97)	0.062 (1.57)	0.115 (2.92)	

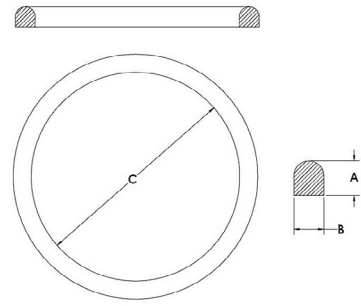
**Material 812 – U Profile**

[Material 812 Data Sheet](#)

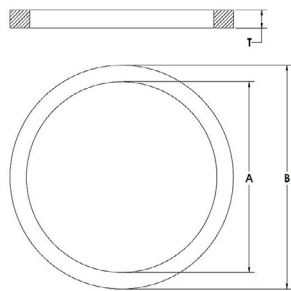
MIL SPEC No.	NJB Part No.	Dimension A (mm)	Dimension B (mm)	Dimension C (mm)	Dimension D (mm)	RFQ or Information
N/A	812-0601	0.100 (2.54 mm)	0.100 (2.54)	0.034 (0.86)	0.033 (0.84)	
N/A	812-0602	0.126 (3.20)	0.110 (2.79)	0.025 (0.64)	0.050 (1.27)	
N/A	812-0603	0.126 (3.20)	0.225 (5.72)	0.020 (0.51)	0.075 (1.91)	
N/A	812-0604	0.156 (3.96)	0.156 (3.96)	0.062 (1.57)	0.047 (1.19)	
N/A	812-0606	0.175 (4.45)	0.156 (3.96)	0.047 (1.19)	0.075 (1.91)	
N/A	812-0607	0.327 (8.31)	0.235 (5.97)	0.062 (1.57)	0.115 (2.92)	



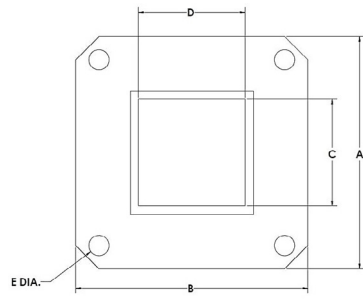
**O-RINGS**



**D-RINGS**



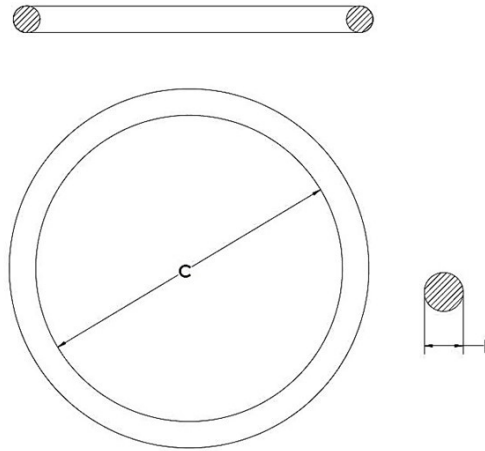
**FLAT WASHERS**



**WAVE GUIDES**

### GO TO O-RINGS MATERIAL

- [806A Silver Copper Silicone, 65 Duro](#)
- [805B Silver Aluminum Silicone](#)
- [816C Silver Copper Fluorosilicone](#)
- [815D Silver Aluminum Fluorosilicone](#)
- [808E Pure Silver Silicone, 65 Duro](#)
- [818F Pure Silver Fluorosilicone](#)
- [808H Pure Silver Silicone, 80 Duro](#)
- [806K Silver Copper Silicone, 85 Duro](#)
- [804L Silver Nickel Silicone](#)
- [803M Silver Glass Silicone](#)
- [801 Carbon Silicone](#)
- [802 Nickel Graphite Silicone](#)
- [812 Nickel Graphite Fluorosilicone](#)



- O-RINGS
- D-RINGS
- WASHERS
- WAVE GUIDES
  - Die Cut Sq. Rectangular
  - Die Cut Circular
  - Molded Rec. O X-Section
  - Molded Rec. D X-Section

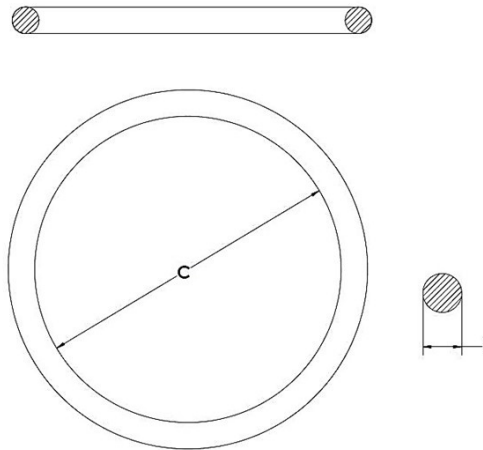
### Material 806A – O-Rings

[Material 806A Data Sheet](#)

MIL SPEC No.	NJB Part No.	Dimension B (mm)	Dimension C (mm)	RFQ or Information
M83528/005A001	806A-0701	0.03 (0.76)	0.442 (11.22)	<input type="checkbox"/>
M83528/005A002	806A-0702	0.03 (0.76)	0.577 (14.65)	<input type="checkbox"/>
M83528/005A003	806A-0703	0.03 (0.76)	0.692 (17.57)	<input type="checkbox"/>
M83528/005A004	806A-0704	0.03 (0.76)	0.817 (20.75)	<input type="checkbox"/>
M83528/005A005	806A-0705	0.039 (0.99)	0.425 (10.79)	<input type="checkbox"/>
M83528/005A006	806A-0706	0.048 (1.22)	0.295 (7.49)	<input type="checkbox"/>
M83528/005A007	806A-0707	0.05 (1.27)	0.533 (13.53)	<input type="checkbox"/>
M83528/005A008	806A-0708	0.051 (1.29)	0.446 (11.32)	<input type="checkbox"/>
M83528/005A009	806A-0709	0.057 (0.061)	0.415 (10.54)	<input type="checkbox"/>
M83528/005A010	806A-0710	0.063 (1.447)	0.541 (13.74)	<input type="checkbox"/>
M83528/005A011	806A-0711	0.063 (1.447)	0.648 (16.46)	<input type="checkbox"/>
M83528/005A012	806A-0712	0.068 (1.727)	0.847 (21.51)	<input type="checkbox"/>
M83528/005A013	806A-0713	0.068 (1.727)	1.182 (30.02)	<input type="checkbox"/>
M83528/005A014	806A-0714	0.068 (1.727)	3.165 (80.39)	<input type="checkbox"/>
M83528/002A007	806A-0715	.070 (1.78)	0.145 (3.68)	<input type="checkbox"/>
M83528/002A011	806A-0716	.070 (1.78)	0.301 (7.65)	<input type="checkbox"/>
M83528/002A012	806A-0717	.070 (1.78)	0.364 (9.25)	<input type="checkbox"/>
M83528/002A013	806A-0718	.070 (1.78)	0.426 (10.82)	<input type="checkbox"/>
M83528/002A014	806A-0719	.070 (1.78)	0.489 (12.42)	<input type="checkbox"/>
M83528/002A015	806A-0720	.070 (1.78)	0.495 (12.57)	<input type="checkbox"/>
M83528/002A015	806A-0721	.070 (1.78)	0.551 (13.99)	<input type="checkbox"/>
M83528/002A016	806A-0722	.070 (1.78)	0.61 (15.49)	<input type="checkbox"/>
M83528/002A017	806A-0723	.070 (1.78)	0.635 (16.12)	<input type="checkbox"/>
M83528/002A018	806A-0724	.070 (1.78)	0.667 (16.94)	<input type="checkbox"/>
M83528/002A017	806A-0725	.070 (1.78)	0.676 (17.17)	<input type="checkbox"/>
M83528/002A018	806A-0727	.070 (1.78)	0.739 (18.77)	<input type="checkbox"/>
M83528/002A019	806A-0728	.070 (1.78)	0.801 (20.34)	<input type="checkbox"/>

**GO TO O-RINGS MATERIAL**

- [806A Silver Copper Silicone, 65 Duro](#)
- [805B Silver Aluminum Silicone](#)
- [816C Silver Copper Fluorosilicone](#)
- [815D Silver Aluminum Fluorosilicone](#)
- [808E Pure Silver Silicone, 65 Duro](#)
- [818F Pure Silver Fluorosilicone](#)
- [808H Pure Silver Silicone, 80 Duro](#)
- [806K Silver Copper Silicone, 85 Duro](#)
- [804L Silver Nickel Silicone](#)
- [803M Silver Glass Silicone](#)
- [801 Carbon Silicone](#)
- [802 Nickel Graphite Silicone](#)
- [812 Nickel Graphite Fluorosilicone](#)



- O-RINGS
- D-RINGS
- FLAT WASHERS
- WAVE GUIDES
  - Die Cut Sq. Rectangular
  - Die Cut Circular
  - Molded Rec. O X-Section
  - Molded Rec. D X-Section

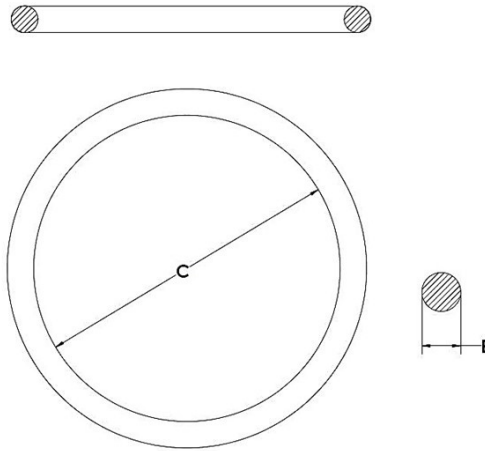
**Material 806A – O-Rings**

[Material 806A Data Sheet](#)

MIL SPEC No.	NJB Part No.	Dimension B (mm)	Dimension C (mm)	RFQ or Information
M83528/005A019	806A-0729	.070 (1.78)	0.86 (21.84)	<input type="checkbox"/>
M83528/002A020	806A-0730	.070 (1.78)	.864 (21.94)	<input type="checkbox"/>
M83528/002A021	806A-0731	.070 (1.78)	.926 (23.52)	<input type="checkbox"/>
M83528/002A022	806A-0732	.070 (1.78)	.989 (25.12)	<input type="checkbox"/>
M83528/002A024	806A-0735	.070 (1.78)	1.114 (28.30)	<input type="checkbox"/>
M83528/002A025	806A-0736	.070 (1.78)	1.176 (4.470)	<input type="checkbox"/>
M83528/005A020	806A-0737	.070 (1.78)	1.23 (31.24)	<input type="checkbox"/>
M83528/002A026	806A-0738	.070 (1.78)	1.239 (31.47)	<input type="checkbox"/>
M83528/002A028	806A-0740	.070 (1.78)	1.364 (34.65)	<input type="checkbox"/>
M83528/002A030	806A-0743	.070 (1.78)	1.614 (40.99)	<input type="checkbox"/>
M83528/002A032	806A-0746	.070 (1.78)	1.864 (47.34)	<input type="checkbox"/>
M83528/002A043	806A-0750	.070 (1.78)	3.489 (88.62)	<input type="checkbox"/>
M83528/002A114	806A-0765	0.103 (2.616)	0.612 (15.54)	<input type="checkbox"/>
M83528/002A115	806A-0766	0.103 (2.616)	0.676 (17.17)	<input type="checkbox"/>
M83528/002A117	806A-0767	0.103 (2.616)	0.799 (20.29)	<input type="checkbox"/>
M83528/002A126	806A-0769	0.103 (2.616)	1.362 (34.59)	<input type="checkbox"/>
M83528/002A128	806A-0770	0.103 (2.616)	1.487 (37.76)	<input type="checkbox"/>
M83528/002A022	806A-0771	0.103 (2.616)	1.612 (40.94)	<input type="checkbox"/>
M83528/002A132	806A-0772	0.103 (2.616)	1.737 (44.11)	<input type="checkbox"/>
M83528/002A023	806A-0773	0.103 (2.616)	1.79 (45.46)	<input type="checkbox"/>
M83528/002A134	806A-0784	0.103 (2.616)	1.862 (47.29)	<input type="checkbox"/>
M83528/002A142	806A-0785	0.103 (2.616)	2.362 (59.99)	<input type="checkbox"/>
M83528/002A145	806A-0786	0.103 (2.616)	2.55 (64.77)	<input type="checkbox"/>
M83528/002A155	806A-0774	0.103 (2.616)	3.987 (101.26)	<input type="checkbox"/>
M83528/002A029	806A-0775	0.115 (2.92)	2.683 (68.14)	<input type="checkbox"/>
M83528/002A022	806A-0777	0.139 (3.530)	2.011 (51.07)	<input type="checkbox"/>

### GO TO O-RINGS MATERIAL

- [806A Silver Copper Silicone, 65 Duro](#)
- [805B Silver Aluminum Silicone](#)**
- [816C Silver Copper Fluorosilicone](#)
- [815D Silver Aluminum Fluorosilicone](#)
- [808E Pure Silver Silicone, 65 Duro](#)
- [818F Pure Silver Fluorosilicone](#)
- [808H Pure Silver Silicone, 80 Duro](#)
- [806K Silver Copper Silicone, 85 Duro](#)
- [804L Silver Nickel Silicone](#)
- [803M Silver Glass Silicone](#)
- [801 Carbon Silicone](#)
- [802 Nickel Graphite Silicone](#)
- [812 Nickel Graphite Fluorosilicone](#)



- O-RINGS**
- D-RINGS**
- WASHERS**
- WAVE GUIDES**
  - Die Cut Sq. Rectangular
  - Die Cut Circular
  - Molded Rec. O X-Section
  - Molded Rec. D X-Section

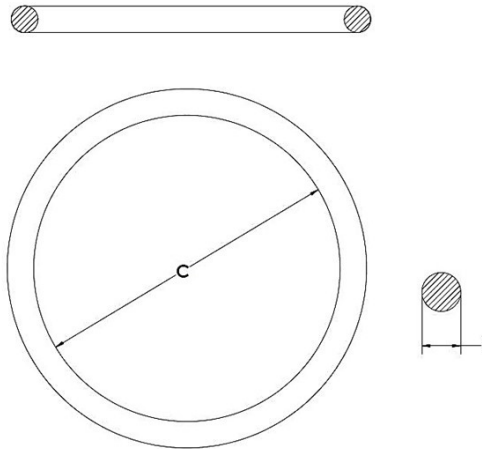
### Material 805B – O-Rings

[Material 805B Data Sheet](#)

MIL SPEC No.	NJB Part No.	Dimension B (mm)	Dimension C (mm)	RFQ or Information
M83528/005B001	805-0701	0.03 (0.76)	0.442 (11.22)	✉
M83528/005B002	805-0702	0.03 (0.76)	0.577 (14.65)	✉
M83528/005B003	805-0703	0.03 (0.76)	0.692 (17.57)	✉
M83528/005B004	805-0704	0.03 (0.76)	0.817 (20.75)	✉
M83528/005B005	805-0705	0.039 (0.99)	0.425 (10.79)	✉
M83528/005B006	805-0706	0.048 (1.22)	0.295 (7.49)	✉
M83528/005B007	805-0707	0.05 (1.27)	0.533 (13.53)	✉
M83528/005B008	805-0708	0.051 (1.29)	0.446 (11.32)	✉
M83528/005B009	805-0709	0.057 (0.061)	0.415 (10.54)	✉
M83528/005B010	805-0710	0.063 (1.447)	0.541 (13.74)	✉
M83528/005B011	805-0711	0.063 (1.447)	0.648 (16.46)	✉
M83528/005B012	805-0712	0.068 (1.727)	0.847 (21.51)	✉
M83528/005B013	805-0713	0.068 (1.727)	1.182 (30.02)	✉
M83528/005B014	805-0714	0.068 (1.727)	3.165 (80.39)	✉
M83528/002B007	805-0715	.070 (1.78)	0.145 (3.68)	✉
M83528/002B011	805-0716	.070 (1.78)	0.301 (7.65)	✉
M83528/002B012	805-0717	.070 (1.78)	0.364 (9.25)	✉
M83528/002B013	805-0718	.070 (1.78)	0.426 (10.82)	✉
M83528/002B014	805-0719	.070 (1.78)	0.489 (12.42)	✉
M83528/002B015	805-0720	.070 (1.78)	0.495 (12.57)	✉
M83528/002B015	805-0721	.070 (1.78)	0.551 (13.99)	✉
M83528/002B016	805-0722	.070 (1.78)	0.61 (15.49)	✉
M83528/002B017	805-0723	.070 (1.78)	0.635 (16.12)	✉
M83528/002B018	805-0724	.070 (1.78)	0.667 (16.94)	✉
M83528/002B017	805-0725	.070 (1.78)	0.676 (17.17)	✉
M83528/002B018	805-0727	.070 (1.78)	0.739 (18.77)	✉
M83528/002B019	805-0728	.070 (1.78)	0.801 (20.34)	✉

### GO TO O-RINGS MATERIAL

- [806A Silver Copper Silicone, 65 Duro](#)
- [805B Silver Aluminum Silicone](#)**
- [816C Silver Copper Fluorosilicone](#)
- [815D Silver Aluminum Fluorosilicone](#)
- [808E Pure Silver Silicone, 65 Duro](#)
- [818F Pure Silver Fluorosilicone](#)
- [808H Pure Silver Silicone, 80 Duro](#)
- [806K Silver Copper Silicone, 85 Duro](#)
- [804L Silver Nickel Silicone](#)
- [803M Silver Glass Silicone](#)
- [801 Carbon Silicone](#)
- [802 Nickel Graphite Silicone](#)
- [812 Nickel Graphite Fluorosilicone](#)



- O-RINGS
  - D-RINGS
  - FLAT WASHERS
  - WAVE GUIDES
- Die Cut Sq. Rectangular  
Die Cut Circular  
Molded Rec. O X-Section  
Molded Rec. D X-Section

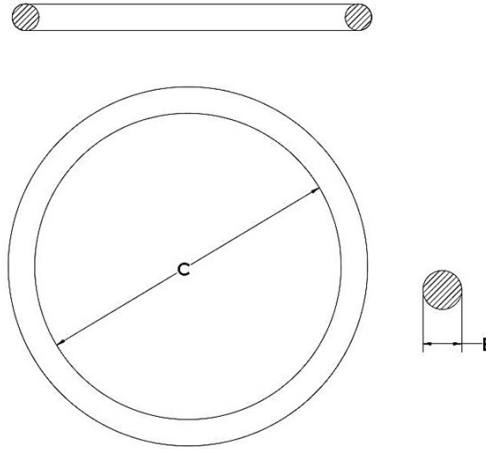
### Material 805B – O-Rings

[Material 805B Data Sheet](#)

MIL SPEC No.	NJB Part No.	Dimension B (mm)	Dimension C (mm)	RFQ or Information
M83528/005B019	805-0729	.070 (1.78)	0.86 (21.84)	<input type="checkbox"/>
M83528/002B020	805-0730	.070 (1.78)	.864 (21.94)	<input type="checkbox"/>
M83528/002B021	805-0731	.070 (1.78)	.926 (23.52)	<input type="checkbox"/>
M83528/002B022	805-0732	.070 (1.78)	.989 (25.12)	<input type="checkbox"/>
M83528/002B024	805-0735	.070 (1.78)	1.114 (28.30)	<input type="checkbox"/>
M83528/002B025	805-0736	.070 (1.78)	1.176 (4.470)	<input type="checkbox"/>
M83528/005B020	805-0737	.070 (1.78)	1.23 (31.24)	<input type="checkbox"/>
M83528/002B026	805-0738	.070 (1.78)	1.239 (31.47)	<input type="checkbox"/>
M83528/002B028	805-0740	.070 (1.78)	1.364 (34.65)	<input type="checkbox"/>
M83528/002B030	805-0743	.070 (1.78)	1.614 (40.99)	<input type="checkbox"/>
M83528/002B032	805-0746	.070 (1.78)	1.864 (47.34)	<input type="checkbox"/>
M83528/002B043	805-0750	.070 (1.78)	3.489 (88.62)	<input type="checkbox"/>
M83528/002B114	805-0765	0.103 (2.616)	0.612 (15.54)	<input type="checkbox"/>
M83528/002B115	805-0766	0.103 (2.616)	0.676 (17.17)	<input type="checkbox"/>
M83528/002B117	805-0767	0.103 (2.616)	0.799 (20.29)	<input type="checkbox"/>
M83528/002B126	805-0769	0.103 (2.616)	1.362 (34.59)	<input type="checkbox"/>
M83528/002B128	805-0770	0.103 (2.616)	1.487 (37.76)	<input type="checkbox"/>
M83528/002B022	805-0771	0.103 (2.616)	1.612 (40.94)	<input type="checkbox"/>
M83528/002B132	805-0772	0.103 (2.616)	1.737 (44.11)	<input type="checkbox"/>
M83528/002B023	805-0773	0.103 (2.616)	1.79 (45.46)	<input type="checkbox"/>
M83528/002B134	805-0784	0.103 (2.616)	1.862 (47.29)	<input type="checkbox"/>
M83528/002B142	805-0785	0.103 (2.616)	2.362 (59.99)	<input type="checkbox"/>
M83528/002B145	805-0786	0.103 (2.616)	2.55 (64.77)	<input type="checkbox"/>
M83528/002B155	805-0774	0.103 (2.616)	3.987 (101.26)	<input type="checkbox"/>
M83528/002B029	805-0775	0.115 (2.92)	2.683 (68.14)	<input type="checkbox"/>
M83528/002B022	805-0777	0.139 (3.530)	2.011 (51.07)	<input type="checkbox"/>

### GO TO O-RINGS MATERIAL

- [806A Silver Copper Silicone, 65 Duro](#)
- [805B Silver Aluminum Silicone](#)
- [816C Silver Copper Fluorosilicone](#)**
- [815D Silver Aluminum Fluorosilicone](#)
- [808E Pure Silver Silicone, 65 Duro](#)
- [818F Pure Silver Fluorosilicone](#)
- [808H Pure Silver Silicone, 80 Duro](#)
- [806K Silver Copper Silicone, 85 Duro](#)
- [804L Silver Nickel Silicone](#)
- [803M Silver Glass Silicone](#)
- [801 Carbon Silicone](#)
- [802 Nickel Graphite Silicone](#)
- [812 Nickel Graphite Fluorosilicone](#)



- O-RINGS
- D-RINGS
- WASHERS
- WAVE GUIDES
  - Die Cut Sq. Rectangular
  - Die Cut Circular
  - Molded Rec. O X-Section
  - Molded Rec. D X-Section

### Material 816C – O-Rings

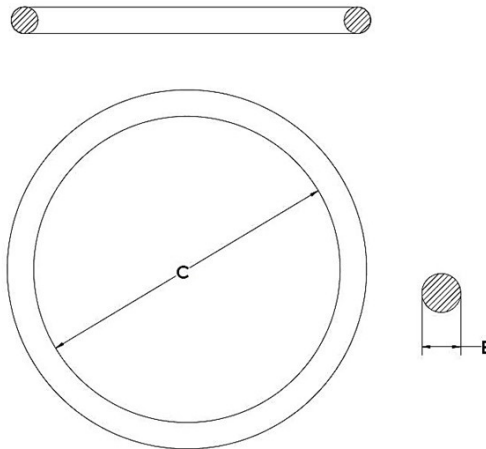
### Material 816C Data Sheet

MIL SPEC No.	NJB Part No.	Dimension B (mm)	Dimension C (mm)	RFQ or Information
M83528/005C001	816-0701	0.03 (0.76)	0.442 (11.22)	<input type="checkbox"/>
M83528/005C002	816-0702	0.03 (0.76)	0.577 (14.65)	<input type="checkbox"/>
M83528/005C003	816-0703	0.03 (0.76)	0.692 (17.57)	<input type="checkbox"/>
M83528/005C004	816-0704	0.03 (0.76)	0.817 (20.75)	<input type="checkbox"/>
M83528/005C005	816-0705	0.039 (0.99)	0.425 (10.79)	<input type="checkbox"/>
M83528/005C006	816-0706	0.048 (1.22)	0.295 (7.49)	<input type="checkbox"/>
M83528/005C007	816-0707	0.05 (1.27)	0.533 (13.53)	<input type="checkbox"/>
M83528/005C008	816-0708	0.051 (1.29)	0.446 (11.32)	<input type="checkbox"/>
M83528/005C009	816-0709	0.057 (0.061)	0.415 (10.54)	<input type="checkbox"/>
M83528/005C010	816-0710	0.063 (1.447)	0.541 (13.74)	<input type="checkbox"/>
M83528/005C011	816-0711	0.063 (1.447)	0.648 (16.46)	<input type="checkbox"/>
M83528/005C012	816-0712	0.068 (1.727)	0.847 (21.51)	<input type="checkbox"/>
M83528/005C013	816-0713	0.068 (1.727)	1.182 (30.02)	<input type="checkbox"/>
M83528/005C014	816-0714	0.068 (1.727)	3.165 (80.39)	<input type="checkbox"/>
M83528/002C007	816-0715	.070 (1.78)	0.145 (3.68)	<input type="checkbox"/>
M83528/002C011	816-0716	.070 (1.78)	0.301 (7.65)	<input type="checkbox"/>
M83528/002C012	816-0717	.070 (1.78)	0.364 (9.25)	<input type="checkbox"/>
M83528/002C013	816-0718	.070 (1.78)	0.426 (10.82)	<input type="checkbox"/>
M83528/002C014	816-0719	.070 (1.78)	0.489 (12.42)	<input type="checkbox"/>
M83528/002C015	816-0720	.070 (1.78)	0.495 (12.57)	<input type="checkbox"/>
M83528/002C015	816-0721	.070 (1.78)	0.551 (13.99)	<input type="checkbox"/>
M83528/002C016	816-0722	.070 (1.78)	0.61 (15.49)	<input type="checkbox"/>
M83528/002C017	816-0723	.070 (1.78)	0.635 (16.12)	<input type="checkbox"/>
M83528/002C018	816-0724	.070 (1.78)	0.667 (16.94)	<input type="checkbox"/>
M83528/002C017	816-0725	.070 (1.78)	0.676 (17.17)	<input type="checkbox"/>
M83528/002C018	816-0727	.070 (1.78)	0.739 (18.77)	<input type="checkbox"/>
M83528/002C019	816-0728	.070 (1.78)	0.801 (20.34)	<input type="checkbox"/>



### GO TO O-RINGS MATERIAL

- [806A Silver Copper Silicone, 65 Duro](#)
- [805B Silver Aluminum Silicone](#)
- [816C Silver Copper Fluorosilicone](#)**
- [815D Silver Aluminum Fluorosilicone](#)
- [808E Pure Silver Silicone, 65 Duro](#)
- [818F Pure Silver Fluorosilicone](#)
- [808H Pure Silver Silicone, 80 Duro](#)
- [806K Silver Copper Silicone, 85 Duro](#)
- [804L Silver Nickel Silicone](#)
- [803M Silver Glass Silicone](#)
- [801 Carbon Silicone](#)
- [802 Nickel Graphite Silicone](#)
- [812 Nickel Graphite Fluorosilicone](#)



- O-RINGS
  - D-RINGS
  - FLAT WASHERS
  - WAVE GUIDES
- Die Cut Sq. Rectangular  
Die Cut Circular  
Molded Rec. O X-Section  
Molded Rec. D X-Section

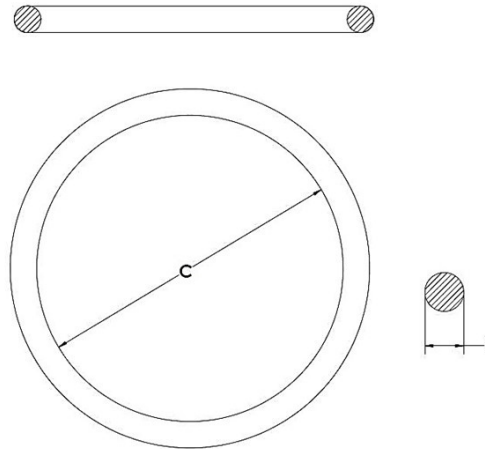
### Material 816C – O-Rings

[Material 816C Data Sheet](#)

MIL SPEC No.	NJB Part No.	Dimension B (mm)	Dimension C (mm)	RFQ or Information
M83528/005C019	816-0729	.070 (1.78)	0.86 (21.84)	☒
M83528/002C020	816-0730	.070 (1.78)	.864 (21.94)	☒
M83528/002C021	816-0731	.070 (1.78)	.926 (23.52)	☒
M83528/002C022	816-0732	.070 (1.78)	.989 (25.12)	☒
M83528/002C024	816-0735	.070 (1.78)	1.114 (28.30)	☒
M83528/002C025	816-0736	.070 (1.78)	1.176 (4.470)	☒
M83528/005C020	816-0737	.070 (1.78)	1.23 (31.24)	☒
M83528/002C026	816-0738	.070 (1.78)	1.239 (31.47)	☒
M83528/002C028	816-0740	.070 (1.78)	1.364 (34.65)	☒
M83528/002C030	816-0743	.070 (1.78)	1.614 (40.99)	☒
M83528/002C032	816-0746	.070 (1.78)	1.864 (47.34)	☒
M83528/002C043	816-0750	.070 (1.78)	3.489 (88.62)	☒
M83528/002C114	816-0765	0.103 (2.616)	0.612 (15.54)	☒
M83528/002C115	816-0766	0.103 (2.616)	0.676 (17.17)	☒
M83528/002C117	816-0767	0.103 (2.616)	0.799 (20.29)	☒
M83528/002C126	816-0769	0.103 (2.616)	1.362 (34.59)	☒
M83528/002C128	816-0770	0.103 (2.616)	1.487 (37.76)	☒
M83528/002C022	816-0771	0.103 (2.616)	1.612 (40.94)	☒
M83528/002C132	816-0772	0.103 (2.616)	1.737 (44.11)	☒
M83528/002C023	816-0773	0.103 (2.616)	1.79 (45.46)	☒
M83528/002C134	816-0784	0.103 (2.616)	1.862 (47.29)	☒
M83528/002C142	816-0785	0.103 (2.616)	2.362 (59.99)	☒
M83528/002C145	816-0786	0.103 (2.616)	2.55 (64.77)	☒
M83528/002C155	816-0774	0.103 (2.616)	3.987 (101.26)	☒
M83528/002C029	816-0775	0.115 (2.92)	2.683 (68.14)	☒
M83528/002C022	816-0777	0.139 (3.530)	2.011 (51.07)	☒

### GO TO O-RINGS MATERIAL

- [806A Silver Copper Silicone, 65 Duro](#)
- [805B Silver Aluminum Silicone](#)
- [816C Silver Copper Fluorosilicone](#)
- [815D Silver Aluminum Fluorosilicone](#)**
- [808E Pure Silver Silicone, 65 Duro](#)
- [818F Pure Silver Fluorosilicone](#)
- [808H Pure Silver Silicone, 80 Duro](#)
- [806K Silver Copper Silicone, 85 Duro](#)
- [804L Silver Nickel Silicone](#)
- [803M Silver Glass Silicone](#)
- [801 Carbon Silicone](#)
- [802 Nickel Graphite Silicone](#)
- [812 Nickel Graphite Fluorosilicone](#)



- O-RINGS
  - D-RINGS
  - WASHERS
  - WAVE GUIDES
- Die Cut Sq. Rectangular  
 Die Cut Circular  
 Molded Rec. O X-Section  
 Molded Rec. D X-Section

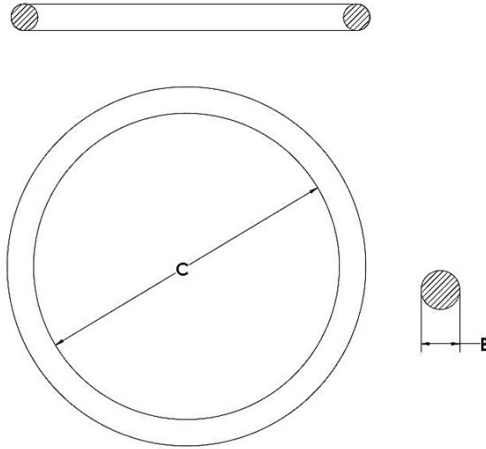
### Material 815D – O-Rings

[Material 815D Data Sheet](#)

MIL SPEC No.	NJB Part No.	Dimension B (mm)	Dimension C (mm)	RFQ or Information
M83528/005D001	815-0701	0.03 (0.76)	0.442 (11.22)	
M83528/005D002	815-0702	0.03 (0.76)	0.577 (14.65)	
M83528/005D003	815-0703	0.03 (0.76)	0.692 (17.57)	
M83528/005D004	815-0704	0.03 (0.76)	0.817 (20.75)	
M83528/005D005	815-0705	0.039 (0.99)	0.425 (10.79)	
M83528/005D006	815-0706	0.048 (1.22)	0.295 (7.49)	
M83528/005D007	815-0707	0.05 (1.27)	0.533 (13.53)	
M83528/005D008	815-0708	0.051 (1.29)	0.446 (11.32)	
M83528/005D009	815-0709	0.057 (0.061)	0.415 (10.54)	
M83528/005D010	815-0710	0.063 (1.447)	0.541 (13.74)	
M83528/005D011	815-0711	0.063 (1.447)	0.648 (16.46)	
M83528/005D012	815-0712	0.068 (1.727)	0.847 (21.51)	
M83528/005D013	815-0713	0.068 (1.727)	1.182 (30.02)	
M83528/005D014	815-0714	0.068 (1.727)	3.165 (80.39)	
M83528/002D007	815-0715	.070 (1.78)	0.145 (3.68)	
M83528/002D011	815-0716	.070 (1.78)	0.301 (7.65)	
M83528/002D012	815-0717	.070 (1.78)	0.364 (9.25)	
M83528/002D013	815-0718	.070 (1.78)	0.426 (10.82)	
M83528/002D014	815-0719	.070 (1.78)	0.489 (12.42)	
M83528/002D015	815-0720	.070 (1.78)	0.495 (12.57)	
M83528/002D015	815-0721	.070 (1.78)	0.551 (13.99)	
M83528/002D016	815-0722	.070 (1.78)	0.61 (15.49)	
M83528/002D017	815-0723	.070 (1.78)	0.635 (16.12)	
M83528/002D018	815-0724	.070 (1.78)	0.667 (16.94)	
M83528/002D017	815-0725	.070 (1.78)	0.676 (17.17)	
M83528/002D018	815-0727	.070 (1.78)	0.739 (18.77)	
M83528/002D019	815-0728	.070 (1.78)	0.801 (20.34)	

**GO TO O-RINGS MATERIAL**

- [806A Silver Copper Silicone, 65 Duro](#)
- [805B Silver Aluminum Silicone](#)
- [816C Silver Copper Fluorosilicone](#)
- [815D Silver Aluminum Fluorosilicone](#)**
- [808E Pure Silver Silicone, 65 Duro](#)
- [818F Pure Silver Fluorosilicone](#)
- [808H Pure Silver Silicone, 80 Duro](#)
- [806K Silver Copper Silicone, 85 Duro](#)
- [804L Silver Nickel Silicone](#)
- [803M Silver Glass Silicone](#)
- [801 Carbon Silicone](#)
- [802 Nickel Graphite Silicone](#)
- [812 Nickel Graphite Fluorosilicone](#)



- O-RINGS
  - D-RINGS
  - FLAT WASHERS
  - WAVE GUIDES
- Die Cut Sq. Rectangular  
 Die Cut Circular  
 Molded Rec. O X-Section  
 Molded Rec. D X-Section

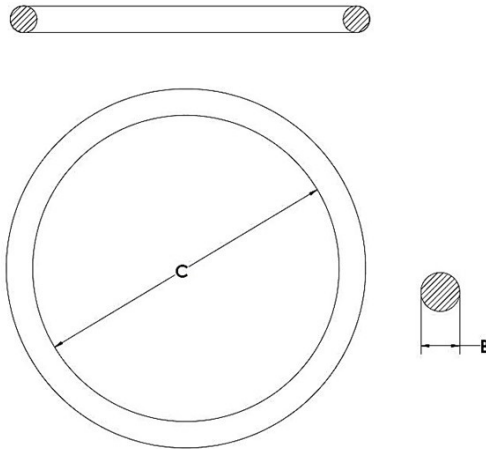
**Material 815D – O-Rings**

[Material 815D Data Sheet](#)

MIL SPEC No.	NJB Part No.	Dimension B (mm)	Dimension C (mm)	RFQ or Information
M83528/005D019	815-0729	.070 (1.78)	0.86 (21.84)	☐
M83528/002D020	815-0730	.070 (1.78)	.864 (21.94)	☐
M83528/002D021	815-0731	.070 (1.78)	.926 (23.52)	☐
M83528/002D022	815-0732	.070 (1.78)	.989 (25.12)	☐
M83528/002D024	815-0735	.070 (1.78)	1.114 (28.30)	☐
M83528/002D025	815-0736	.070 (1.78)	1.176 (4.470)	☐
M83528/005D020	815-0737	.070 (1.78)	1.23 (31.24)	☐
M83528/002D026	815-0738	.070 (1.78)	1.239 (31.47)	☐
M83528/002D028	815-0740	.070 (1.78)	1.364 (34.65)	☐
M83528/002D030	815-0743	.070 (1.78)	1.614 (40.99)	☐
M83528/002D032	815-0746	.070 (1.78)	1.864 (47.34)	☐
M83528/002D043	815-0750	.070 (1.78)	3.489 (88.62)	☐
M83528/002D114	815-0765	0.103 (2.616)	0.612 (15.54)	☐
M83528/002D115	815-0766	0.103 (2.616)	0.676 (17.17)	☐
M83528/002D117	815-0767	0.103 (2.616)	0.799 (20.29)	☐
M83528/002D126	815-0769	0.103 (2.616)	1.362 (34.59)	☐
M83528/002D128	815-0770	0.103 (2.616)	1.487 (37.76)	☐
M83528/002D022	815-0771	0.103 (2.616)	1.612 (40.94)	☐
M83528/002D132	815-0772	0.103 (2.616)	1.737 (44.11)	☐
M83528/002D023	815-0773	0.103 (2.616)	1.79 (45.46)	☐
M83528/002D134	815-0784	0.103 (2.616)	1.862 (47.29)	☐
M83528/002D142	815-0785	0.103 (2.616)	2.362 (59.99)	☐
M83528/002D145	815-0786	0.103 (2.616)	2.55 (64.77)	☐
M83528/002D155	815-0774	0.103 (2.616)	3.987 (101.26)	☐
M83528/002D029	815-0775	0.115 (2.92)	2.683 (68.14)	☐
M83528/002D022	815-0777	0.139 (3.530)	2.011 (51.07)	☐

### GO TO O-RINGS MATERIAL

- [806A Silver Copper Silicone, 65 Duro](#)
- [805B Silver Aluminum Silicone](#)
- [816C Silver Copper Fluorosilicone](#)
- [815D Silver Aluminum Fluorosilicone](#)
- [808E Pure Silver Silicone, 65 Duro](#)**
- [818F Pure Silver Fluorosilicone](#)
- [808H Pure Silver Silicone, 80 Duro](#)
- [806K Silver Copper Silicone, 85 Duro](#)
- [804L Silver Nickel Silicone](#)
- [803M Silver Glass Silicone](#)
- [801 Carbon Silicone](#)
- [802 Nickel Graphite Silicone](#)
- [812 Nickel Graphite Fluorosilicone](#)



- O-RINGS
- D-RINGS
- WASHERS
- WAVE GUIDES
  - Die Cut Sq. Rectangular
  - Die Cut Circular
  - Molded Rec. O X-Section
  - Molded Rec. D X-Section

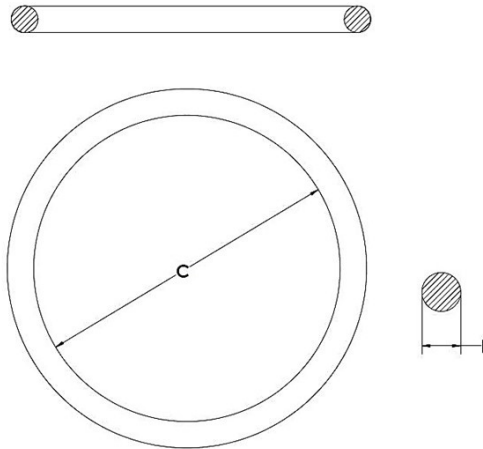
### Material 808E – O-Rings

[Material 808E Data Sheet](#)

MIL SPEC No.	NJB Part No.	Dimension B (mm)	Dimension C (mm)	RFQ or Information
M83528/005E001	808E-0701	0.03 (0.76)	0.442 (11.22)	<input type="checkbox"/>
M83528/005E002	808E-0702	0.03 (0.76)	0.577 (14.65)	<input type="checkbox"/>
M83528/005E003	808E-0703	0.03 (0.76)	0.692 (17.57)	<input type="checkbox"/>
M83528/005E004	808E-0704	0.03 (0.76)	0.817 (20.75)	<input type="checkbox"/>
M83528/005E005	808E-0705	0.039 (0.99)	0.425 (10.79)	<input type="checkbox"/>
M83528/005E006	808E-0706	0.048 (1.22)	0.295 (7.49)	<input type="checkbox"/>
M83528/005E007	808E-0707	0.05 (1.27)	0.533 (13.53)	<input type="checkbox"/>
M83528/005E008	808E-0708	0.051 (1.29)	0.446 (11.32)	<input type="checkbox"/>
M83528/005E009	808E-0709	0.057 (0.061)	0.415 (10.54)	<input type="checkbox"/>
M83528/005E010	808E-0710	0.063 (1.447)	0.541 (13.74)	<input type="checkbox"/>
M83528/005E011	808E-0711	0.063 (1.447)	0.648 (16.46)	<input type="checkbox"/>
M83528/005E012	808E-0712	0.068 (1.727)	0.847 (21.51)	<input type="checkbox"/>
M83528/005E013	808E-0713	0.068 (1.727)	1.182 (30.02)	<input type="checkbox"/>
M83528/005E014	808E-0714	0.068 (1.727)	3.165 (80.39)	<input type="checkbox"/>
M83528/002E007	808E-0715	.070 (1.78)	0.145 (3.68)	<input type="checkbox"/>
M83528/002E011	808E-0716	.070 (1.78)	0.301 (7.65)	<input type="checkbox"/>
M83528/002E012	808E-0717	.070 (1.78)	0.364 (9.25)	<input type="checkbox"/>
M83528/002E013	808E-0718	.070 (1.78)	0.426 (10.82)	<input type="checkbox"/>
M83528/002E014	808E-0719	.070 (1.78)	0.489 (12.42)	<input type="checkbox"/>
M83528/002E015	808E-0720	.070 (1.78)	0.495 (12.57)	<input type="checkbox"/>
M83528/002E015	808E-0721	.070 (1.78)	0.551 (13.99)	<input type="checkbox"/>
M83528/002E016	808E-0722	.070 (1.78)	0.61 (15.49)	<input type="checkbox"/>
M83528/002E017	808E-0723	.070 (1.78)	0.635 (16.12)	<input type="checkbox"/>
M83528/002E018	808E-0724	.070 (1.78)	0.667 (16.94)	<input type="checkbox"/>
M83528/002E017	808E-0725	.070 (1.78)	0.676 (17.17)	<input type="checkbox"/>
M83528/002E018	808E-0727	.070 (1.78)	0.739 (18.77)	<input type="checkbox"/>
M83528/002E019	808E-0728	.070 (1.78)	0.801 (20.34)	<input type="checkbox"/>

### GO TO O-RINGS MATERIAL

- [806A Silver Copper Silicone, 65 Duro](#)
- [805B Silver Aluminum Silicone](#)
- [816C Silver Copper Fluorosilicone](#)
- [815D Silver Aluminum Fluorosilicone](#)
- [808E Pure Silver Silicone, 65 Duro](#)**
- [818F Pure Silver Fluorosilicone](#)
- [808H Pure Silver Silicone, 80 Duro](#)
- [806K Silver Copper Silicone, 85 Duro](#)
- [804L Silver Nickel Silicone](#)
- [803M Silver Glass Silicone](#)
- [801 Carbon Silicone](#)
- [802 Nickel Graphite Silicone](#)
- [812 Nickel Graphite Fluorosilicone](#)



- O-RINGS
- D-RINGS
- FLAT WASHERS
- WAVE GUIDES
  - Die Cut Sq. Rectangular
  - Die Cut Circular
  - Molded Rec. O X-Section
  - Molded Rec. D X-Section

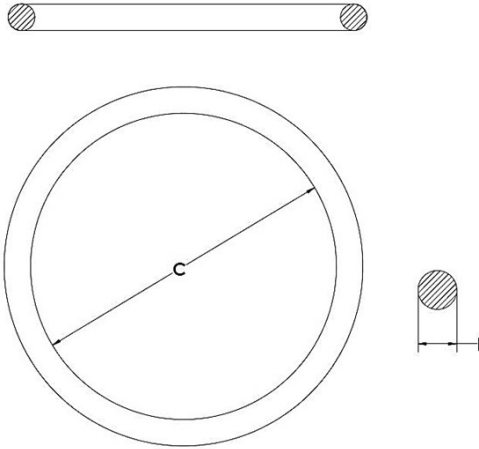
### Material 808E – O-Rings

[Material 808E Data Sheet](#)

MIL SPEC No.	NJB Part No.	Dimension B (mm)	Dimension C (mm)	RFQ or Information
M83528/005E019	808E-0729	.070 (1.78)	0.86 (21.84)	☒
M83528/002E020	808E-0730	.070 (1.78)	.864 (21.94)	☒
M83528/002E021	808E-0731	.070 (1.78)	.926 (23.52)	☒
M83528/002E022	808E-0732	.070 (1.78)	.989 (25.12)	☒
M83528/002E024	808E-0735	.070 (1.78)	1.114 (28.30)	☒
M83528/002E025	808E-0736	.070 (1.78)	1.176 (4.470)	☒
M83528/005E020	808E-0737	.070 (1.78)	1.23 (31.24)	☒
M83528/002E026	808E-0738	.070 (1.78)	1.239 (31.47)	☒
M83528/002E028	808E-0740	.070 (1.78)	1.364 (34.65)	☒
M83528/002E030	808E-0743	.070 (1.78)	1.614 (40.99)	☒
M83528/002E032	808E-0746	.070 (1.78)	1.864 (47.34)	☒
M83528/002E043	808E-0750	.070 (1.78)	3.489 (88.62)	☒
M83528/002E114	808E-0765	0.103 (2.616)	0.612 (15.54)	☒
M83528/002E115	808E-0766	0.103 (2.616)	0.676 (17.17)	☒
M83528/002E117	808E-0767	0.103 (2.616)	0.799 (20.29)	☒
M83528/002E126	808E-0769	0.103 (2.616)	1.362 (34.59)	☒
M83528/002E128	808E-0770	0.103 (2.616)	1.487 (37.76)	☒
M83528/002E022	808E-0771	0.103 (2.616)	1.612 (40.94)	☒
M83528/002E132	808E-0772	0.103 (2.616)	1.737 (44.11)	☒
M83528/002E023	808E-0773	0.103 (2.616)	1.79 (45.46)	☒
M83528/002E134	808E-0784	0.103 (2.616)	1.862 (47.29)	☒
M83528/002E142	808E-0785	0.103 (2.616)	2.362 (59.99)	☒
M83528/002E145	808E-0786	0.103 (2.616)	2.55 (64.77)	☒
M83528/002E155	808E-0774	0.103 (2.616)	3.987 (101.26)	☒
M83528/002E029	808E-0775	0.115 (2.92)	2.683 (68.14)	☒
M83528/002E022	808E-0777	0.139 (3.530)	2.011 (51.07)	☒

### GO TO O-RINGS MATERIAL

- [806A Silver Copper Silicone, 65 Duro](#)
- [805B Silver Aluminum Silicone](#)
- [816C Silver Copper Fluorosilicone](#)
- [815D Silver Aluminum Fluorosilicone](#)
- [808E Pure Silver Silicone, 65 Duro](#)
- [818F Pure Silver Fluorosilicone](#)**
- [808H Pure Silver Silicone, 80 Duro](#)
- [806K Silver Copper Silicone, 85 Duro](#)
- [804L Silver Nickel Silicone](#)
- [803M Silver Glass Silicone](#)
- [801 Carbon Silicone](#)
- [802 Nickel Graphite Silicone](#)
- [812 Nickel Graphite Fluorosilicone](#)



- O-RINGS
- D-RINGS
- WASHERS
- WAVE GUIDES
  - Die Cut Sq. Rectangular
  - Die Cut Circular
  - Molded Rec. O X-Section
  - Molded Rec. D X-Section

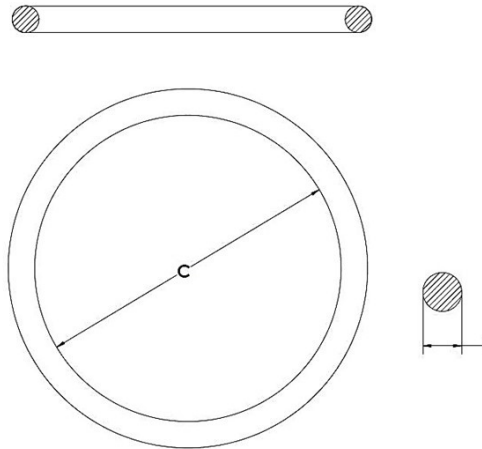
### Material 818F – O-Rings

[Material 818F Data Sheet](#)

MIL SPEC No.	NJB Part No.	Dimension B (mm)	Dimension C (mm)	RFQ or Information
M83528/005F001	818-0701	0.03 (0.76)	0.442 (11.22)	☐
M83528/005F002	818-0702	0.03 (0.76)	0.577 (14.65)	☐
M83528/005F003	818-0703	0.03 (0.76)	0.692 (17.57)	☐
M83528/005F004	818-0704	0.03 (0.76)	0.817 (20.75)	☐
M83528/005F005	818-0705	0.039 (0.99)	0.425 (10.79)	☐
M83528/005F006	818-0706	0.048 (1.22)	0.295 (7.49)	☐
M83528/005F007	818-0707	0.05 (1.27)	0.533 (13.53)	☐
M83528/005F008	818-0708	0.051 (1.29)	0.446 (11.32)	☐
M83528/005F009	818-0709	0.057 (0.061)	0.415 (10.54)	☐
M83528/005F010	818-0710	0.063 (1.447)	0.541 (13.74)	☐
M83528/005F011	818-0711	0.063 (1.447)	0.648 (16.46)	☐
M83528/005F012	818-0712	0.068 (1.727)	0.847 (21.51)	☐
M83528/005F013	818-0713	0.068 (1.727)	1.182 (30.02)	☐
M83528/005F014	818-0714	0.068 (1.727)	3.165 (80.39)	☐
M83528/002F007	818-0715	.070 (1.78)	0.145 (3.68)	☐
M83528/002F011	818-0716	.070 (1.78)	0.301 (7.65)	☐
M83528/002F012	818-0717	.070 (1.78)	0.364 (9.25)	☐
M83528/002F013	818-0718	.070 (1.78)	0.426 (10.82)	☐
M83528/002F014	818-0719	.070 (1.78)	0.489 (12.42)	☐
M83528/002F015	818-0720	.070 (1.78)	0.495 (12.57)	☐
M83528/002F015	818-0721	.070 (1.78)	0.551 (13.99)	☐
M83528/002F016	818-0722	.070 (1.78)	0.61 (15.49)	☐
M83528/002F017	818-0723	.070 (1.78)	0.635 (16.12)	☐
M83528/002F018	818-0724	.070 (1.78)	0.667 (16.94)	☐
M83528/002F017	818-0725	.070 (1.78)	0.676 (17.17)	☐
M83528/002F018	818-0727	.070 (1.78)	0.739 (18.77)	☐
M83528/002F019	818-0728	.070 (1.78)	0.801 (20.34)	☐

### GO TO O-RINGS MATERIAL

- [806A Silver Copper Silicone, 65 Duro](#)
- [805B Silver Aluminum Silicone](#)
- [816C Silver Copper Fluorosilicone](#)
- [815D Silver Aluminum Fluorosilicone](#)
- [808E Pure Silver Silicone, 65 Duro](#)
- [818F Pure Silver Fluorosilicone](#)
- [808H Pure Silver Silicone, 80 Duro](#)
- [806K Silver Copper Silicone, 85 Duro](#)
- [804L Silver Nickel Silicone](#)
- [803M Silver Glass Silicone](#)
- [801 Carbon Silicone](#)
- [802 Nickel Graphite Silicone](#)
- [812 Nickel Graphite Fluorosilicone](#)



- O-RINGS
  - D-RINGS
  - FLAT WASHERS
  - WAVE GUIDES
- Die Cut Sq. Rectangular  
Die Cut Circular  
Molded Rec. O X-Section  
Molded Rec. D X-Section

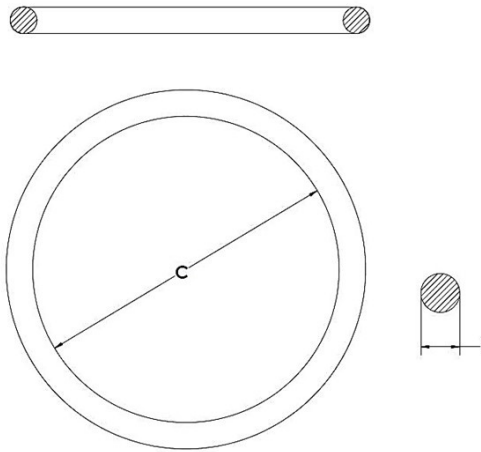
### Material 818F – O-Rings

[Material 818F Data Sheet](#)

MIL SPEC No.	NJB Part No.	Dimension B (mm)	Dimension C (mm)	RFQ or Information
M83528/005F019	818-0729	.070 (1.78)	0.86 (21.84)	<input type="checkbox"/>
M83528/002F020	818-0730	.070 (1.78)	.864 (21.94)	<input type="checkbox"/>
M83528/002F021	818-0731	.070 (1.78)	.926 (23.52)	<input type="checkbox"/>
M83528/002F022	818-0732	.070 (1.78)	.989 (25.12)	<input type="checkbox"/>
M83528/002F024	818-0735	.070 (1.78)	1.114 (28.30)	<input type="checkbox"/>
M83528/002F025	818-0736	.070 (1.78)	1.176 (4.470)	<input type="checkbox"/>
M83528/005F020	818-0737	.070 (1.78)	1.23 (31.24)	<input type="checkbox"/>
M83528/002F026	818-0738	.070 (1.78)	1.239 (31.47)	<input type="checkbox"/>
M83528/002F028	818-0740	.070 (1.78)	1.364 (34.65)	<input type="checkbox"/>
M83528/002F030	818-0743	.070 (1.78)	1.614 (40.99)	<input type="checkbox"/>
M83528/002F032	818-0746	.070 (1.78)	1.864 (47.34)	<input type="checkbox"/>
M83528/002F043	818-0750	.070 (1.78)	3.489 (88.62)	<input type="checkbox"/>
M83528/002F114	818-0765	0.103 (2.616)	0.612 (15.54)	<input type="checkbox"/>
M83528/002F115	818-0766	0.103 (2.616)	0.676 (17.17)	<input type="checkbox"/>
M83528/002F117	818-0767	0.103 (2.616)	0.799 (20.29)	<input type="checkbox"/>
M83528/002F126	818-0769	0.103 (2.616)	1.362 (34.59)	<input type="checkbox"/>
M83528/002F128	818-0770	0.103 (2.616)	1.487 (37.76)	<input type="checkbox"/>
M83528/002F022	818-0771	0.103 (2.616)	1.612 (40.94)	<input type="checkbox"/>
M83528/002F132	818-0772	0.103 (2.616)	1.737 (44.11)	<input type="checkbox"/>
M83528/002F023	818-0773	0.103 (2.616)	1.79 (45.46)	<input type="checkbox"/>
M83528/002F134	818-0784	0.103 (2.616)	1.862 (47.29)	<input type="checkbox"/>
M83528/002F142	818-0785	0.103 (2.616)	2.362 (59.99)	<input type="checkbox"/>
M83528/002F145	818-0786	0.103 (2.616)	2.55 (64.77)	<input type="checkbox"/>
M83528/002F155	818-0774	0.103 (2.616)	3.987 (101.26)	<input type="checkbox"/>
M83528/002F029	818-0775	0.115 (2.92)	2.683 (68.14)	<input type="checkbox"/>
M83528/002F022	818-0777	0.139 (3.530)	2.011 (51.07)	<input type="checkbox"/>

**GO TO O-RINGS MATERIAL**

- [806A Silver Copper Silicone, 65 Duro](#)
- [805B Silver Aluminum Silicone](#)
- [816C Silver Copper Fluorosilicone](#)
- [815D Silver Aluminum Fluorosilicone](#)
- [808E Pure Silver Silicone, 65 Duro](#)
- [818F Pure Silver Fluorosilicone](#)
- [808H Pure Silver Silicone, 80 Duro](#)**
- [806K Silver Copper Silicone, 85 Duro](#)
- [804L Silver Nickel Silicone](#)
- [803M Silver Glass Silicone](#)
- [801 Carbon Silicone](#)
- [802 Nickel Graphite Silicone](#)
- [812 Nickel Graphite Fluorosilicone](#)



- [O-RINGS](#)
  - [D-RINGS](#)
  - [WASHERS](#)
  - [WAVE GUIDES](#)
- Die Cut Sq. Rectangular  
Die Cut Circular  
Molded Rec. O X-Section  
Molded Rec. D X-Section

**Material 808H – O-Rings**

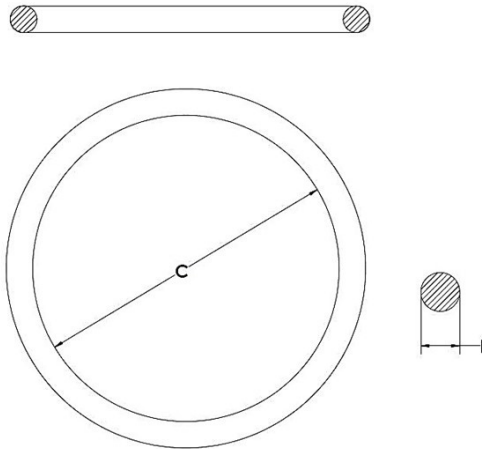
[Material 808H Data Sheet](#)

MIL SPEC No.	NJB Part No.	Dimension B (mm)	Dimension C (mm)	RFQ or Information
M83528/005H001	808H-0701	0.03 (0.76)	0.442 (11.22)	<input type="checkbox"/>
M83528/005H002	808H-0702	0.03 (0.76)	0.577 (14.65)	<input type="checkbox"/>
M83528/005H003	808H-0703	0.03 (0.76)	0.692 (17.57)	<input type="checkbox"/>
M83528/005H004	808H-0704	0.03 (0.76)	0.817 (20.75)	<input type="checkbox"/>
M83528/005H005	808H-0705	0.039 (0.99)	0.425 (10.79)	<input type="checkbox"/>
M83528/005H006	808H-0706	0.048 (1.22)	0.295 (7.49)	<input type="checkbox"/>
M83528/005H007	808H-0707	0.05 (1.27)	0.533 (13.53)	<input type="checkbox"/>
M83528/005H008	808H-0708	0.051 (1.29)	0.446 (11.32)	<input type="checkbox"/>
M83528/005H009	808H-0709	0.057 (0.061)	0.415 (10.54)	<input type="checkbox"/>
M83528/005H010	808H-0710	0.063 (1.447)	0.541 (13.74)	<input type="checkbox"/>
M83528/005H011	808H-0711	0.063 (1.447)	0.648 (16.46)	<input type="checkbox"/>
M83528/005H012	808H-0712	0.068 (1.727)	0.847 (21.51)	<input type="checkbox"/>
M83528/005H013	808H-0713	0.068 (1.727)	1.182 (30.02)	<input type="checkbox"/>
M83528/005H014	808H-0714	0.068 (1.727)	3.165 (80.39)	<input type="checkbox"/>
M83528/002H007	808H-0715	.070 (1.78)	0.145 (3.68)	<input type="checkbox"/>
M83528/002H011	808H-0716	.070 (1.78)	0.301 (7.65)	<input type="checkbox"/>
M83528/002H012	808H-0717	.070 (1.78)	0.364 (9.25)	<input type="checkbox"/>
M83528/002H013	808H-0718	.070 (1.78)	0.426 (10.82)	<input type="checkbox"/>
M83528/002H014	808H-0719	.070 (1.78)	0.489 (12.42)	<input type="checkbox"/>
M83528/002H015	808H-0720	.070 (1.78)	0.495 (12.57)	<input type="checkbox"/>
M83528/002H015	808H-0721	.070 (1.78)	0.551 (13.99)	<input type="checkbox"/>
M83528/002H016	808H-0722	.070 (1.78)	0.61 (15.49)	<input type="checkbox"/>
M83528/002H017	808H-0723	.070 (1.78)	0.635 (16.12)	<input type="checkbox"/>
M83528/002H018	808H-0724	.070 (1.78)	0.667 (16.94)	<input type="checkbox"/>
M83528/002H017	808H-0725	.070 (1.78)	0.676 (17.17)	<input type="checkbox"/>
M83528/002H018	808H-0727	.070 (1.78)	0.739 (18.77)	<input type="checkbox"/>
M83528/002H019	808H-0728	.070 (1.78)	0.801 (20.34)	<input type="checkbox"/>



### GO TO O-RINGS MATERIAL

- [806A Silver Copper Silicone, 65 Duro](#)
- [805B Silver Aluminum Silicone](#)
- [816C Silver Copper Fluorosilicone](#)
- [815D Silver Aluminum Fluorosilicone](#)
- [808E Pure Silver Silicone, 65 Duro](#)
- [818F Pure Silver Fluorosilicone](#)
- [808H Pure Silver Silicone, 80 Duro](#)**
- [806K Silver Copper Silicone, 85 Duro](#)
- [804L Silver Nickel Silicone](#)
- [803M Silver Glass Silicone](#)
- [801 Carbon Silicone](#)
- [802 Nickel Graphite Silicone](#)
- [812 Nickel Graphite Fluorosilicone](#)



- O-RINGS
  - D-RINGS
  - FLAT WASHERS
  - WAVE GUIDES
- Die Cut Sq. Rectangular  
Die Cut Circular  
Molded Rec. O X-Section  
Molded Rec. D X-Section

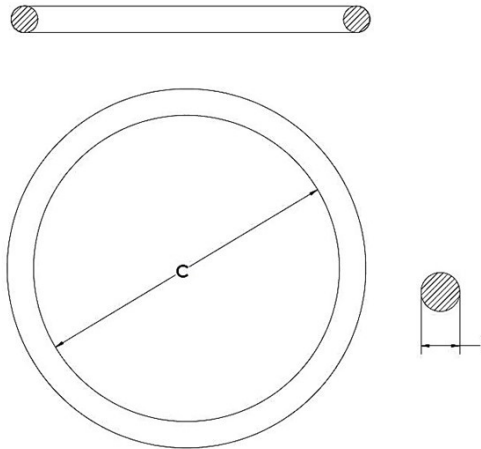
### Material 808H – O-Rings

[Material 808H Data Sheet](#)

MIL SPEC No.	NJB Part No.	Dimension B (mm)	Dimension C (mm)	RFQ or Information
M83528/005H019	808H-0729	.070 (1.78)	0.86 (21.84)	✉
M83528/002H020	808H-0730	.070 (1.78)	.864 (21.94)	✉
M83528/002H021	808H-0731	.070 (1.78)	.926 (23.52)	✉
M83528/002H022	808H-0732	.070 (1.78)	.989 (25.12)	✉
M83528/002H024	808H-0735	.070 (1.78)	1.114 (28.30)	✉
M83528/002H025	808H-0736	.070 (1.78)	1.176 (4.470)	✉
M83528/005H020	808H-0737	.070 (1.78)	1.23 (31.24)	✉
M83528/002H026	808H-0738	.070 (1.78)	1.239 (31.47)	✉
M83528/002H028	808H-0740	.070 (1.78)	1.364 (34.65)	✉
M83528/002H030	808H-0743	.070 (1.78)	1.614 (40.99)	✉
M83528/002H032	808H-0746	.070 (1.78)	1.864 (47.34)	✉
M83528/002H043	808H-0750	.070 (1.78)	3.489 (88.62)	✉
M83528/002H114	808H-0765	0.103 (2.616)	0.612 (15.54)	✉
M83528/002H115	808H-0766	0.103 (2.616)	0.676 (17.17)	✉
M83528/002H117	808H-0767	0.103 (2.616)	0.799 (20.29)	✉
M83528/002H126	808H-0769	0.103 (2.616)	1.362 (34.59)	✉
M83528/002H128	808H-0770	0.103 (2.616)	1.487 (37.76)	✉
M83528/002H022	808H-0771	0.103 (2.616)	1.612 (40.94)	✉
M83528/002H132	808H-0772	0.103 (2.616)	1.737 (44.11)	✉
M83528/002H023	808H-0773	0.103 (2.616)	1.79 (45.46)	✉
M83528/002H134	808H-0784	0.103 (2.616)	1.862 (47.29)	✉
M83528/002H142	808H-0785	0.103 (2.616)	2.362 (59.99)	✉
M83528/002H145	808H-0786	0.103 (2.616)	2.55 (64.77)	✉
M83528/002H155	808H-0774	0.103 (2.616)	3.987 (101.26)	✉
M83528/002H029	808H-0775	0.115 (2.92)	2.683 (68.14)	✉
M83528/002H022	808H-0777	0.139 (3.530)	2.011 (51.07)	✉

### GO TO O-RINGS MATERIAL

- [806A Silver Copper Silicone, 65 Duro](#)
- [805B Silver Aluminum Silicone](#)
- [816C Silver Copper Fluorosilicone](#)
- [815D Silver Aluminum Fluorosilicone](#)
- [808E Pure Silver Silicone, 65 Duro](#)
- [818F Pure Silver Fluorosilicone](#)
- [808H Pure Silver Silicone, 80 Duro](#)
- [806K Silver Copper Silicone, 85 Duro](#)**
- [804L Silver Nickel Silicone](#)
- [803M Silver Glass Silicone](#)
- [801 Carbon Silicone](#)
- [802 Nickel Graphite Silicone](#)
- [812 Nickel Graphite Fluorosilicone](#)



- O-RINGS
- D-RINGS
- WASHERS
- WAVE GUIDES
  - Die Cut Sq. Rectangular
  - Die Cut Circular
  - Molded Rec. O X-Section
  - Molded Rec. D X-Section

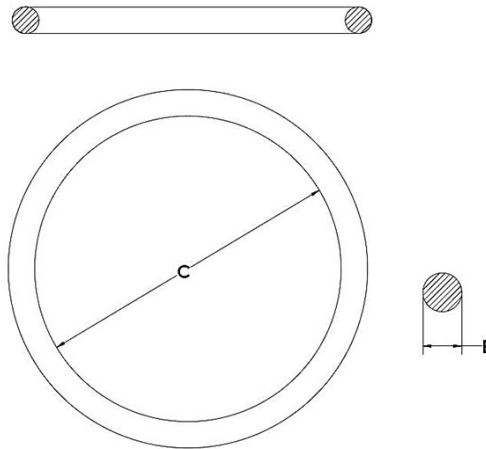
### Material 806K – O-Rings

[Material 806K Data Sheet](#)

MIL SPEC No.	NJB Part No.	Dimension B (mm)	Dimension C (mm)	RFQ or Information
M83528/005K001	806K-0701	0.03 (0.76)	0.442 (11.22)	
M83528/005K002	806K-0702	0.03 (0.76)	0.577 (14.65)	
M83528/005K003	806K-0703	0.03 (0.76)	0.692 (17.57)	
M83528/005K004	806K-0704	0.03 (0.76)	0.817 (20.75)	
M83528/005K005	806K-0705	0.039 (0.99)	0.425 (10.79)	
M83528/005K006	806K-0706	0.048 (1.22)	0.295 (7.49)	
M83528/005K007	806K-0707	0.05 (1.27)	0.533 (13.53)	
M83528/005K008	806K-0708	0.051 (1.29)	0.446 (11.32)	
M83528/005K009	806K-0709	0.057 (0.061)	0.415 (10.54)	
M83528/005K010	806K-0710	0.063 (1.447)	0.541 (13.74)	
M83528/005K011	806K-0711	0.063 (1.447)	0.648 (16.46)	
M83528/005K012	806K-0712	0.068 (1.727)	0.847 (21.51)	
M83528/005K013	806K-0713	0.068 (1.727)	1.182 (30.02)	
M83528/005K014	806K-0714	0.068 (1.727)	3.165 (80.39)	
M83528/002K007	806K-0715	.070 (1.78)	0.145 (3.68)	
M83528/002K011	806K-0716	.070 (1.78)	0.301 (7.65)	
M83528/002K012	806K-0717	.070 (1.78)	0.364 (9.25)	
M83528/002K013	806K-0718	.070 (1.78)	0.426 (10.82)	
M83528/002K014	806K-0719	.070 (1.78)	0.489 (12.42)	
M83528/002K015	806K-0720	.070 (1.78)	0.495 (12.57)	
M83528/002K015	806K-0721	.070 (1.78)	0.551 (13.99)	
M83528/002K016	806K-0722	.070 (1.78)	0.61 (15.49)	
M83528/002K017	806K-0723	.070 (1.78)	0.635 (16.12)	
M83528/002K018	806K-0724	.070 (1.78)	0.667 (16.94)	
M83528/002K017	806K-0725	.070 (1.78)	0.676 (17.17)	
M83528/002K018	806K-0727	.070 (1.78)	0.739 (18.77)	
M83528/002K019	806K-0728	.070 (1.78)	0.801 (20.34)	

### GO TO O-RINGS MATERIAL

- [806A Silver Copper Silicone, 65 Duro](#)
- [805B Silver Aluminum Silicone](#)
- [816C Silver Copper Fluorosilicone](#)
- [815D Silver Aluminum Fluorosilicone](#)
- [808E Pure Silver Silicone, 65 Duro](#)
- [818F Pure Silver Fluorosilicone](#)
- [808H Pure Silver Silicone, 80 Duro](#)
- [806K Silver Copper Silicone, 85 Duro](#)**
- [804L Silver Nickel Silicone](#)
- [803M Silver Glass Silicone](#)
- [801 Carbon Silicone](#)
- [802 Nickel Graphite Silicone](#)
- [812 Nickel Graphite Fluorosilicone](#)



- O-RINGS
  - D-RINGS
  - FLAT WASHERS
  - WAVE GUIDES
- Die Cut Sq. Rectangular  
Die Cut Circular  
Molded Rec. O X-Section  
Molded Rec. D X-Section

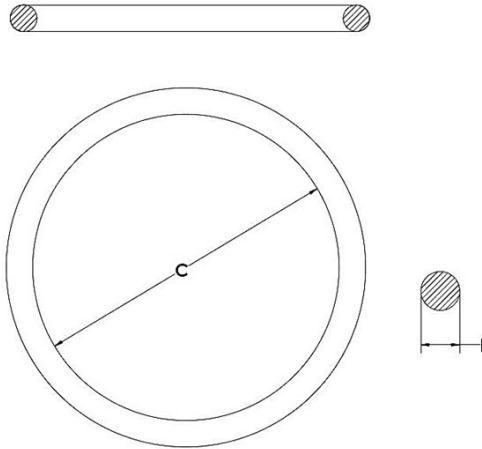
### Material 806K – O-Rings

[Material 806K Data Sheet](#)

MIL SPEC No.	NJB Part No.	Dimension B (mm)	Dimension C (mm)	RFQ or Information
M83528/005K019	806K-0729	.070 (1.78)	0.86 (21.84)	<input type="checkbox"/>
M83528/002K020	806K-0730	.070 (1.78)	.864 (21.94)	<input type="checkbox"/>
M83528/002K021	806K-0731	.070 (1.78)	.926 (23.52)	<input type="checkbox"/>
M83528/002K022	806K-0732	.070 (1.78)	.989 (25.12)	<input type="checkbox"/>
M83528/002K024	806K-0735	.070 (1.78)	1.114 (28.30)	<input type="checkbox"/>
M83528/002K025	806K-0736	.070 (1.78)	1.176 (4.470)	<input type="checkbox"/>
M83528/005K020	806K-0737	.070 (1.78)	1.23 (31.24)	<input type="checkbox"/>
M83528/002K026	806K-0738	.070 (1.78)	1.239 (31.47)	<input type="checkbox"/>
M83528/002K028	806K-0740	.070 (1.78)	1.364 (34.65)	<input type="checkbox"/>
M83528/002K030	806K-0743	.070 (1.78)	1.614 (40.99)	<input type="checkbox"/>
M83528/002K032	806K-0746	.070 (1.78)	1.864 (47.34)	<input type="checkbox"/>
M83528/002K043	806K-0750	.070 (1.78)	3.489 (88.62)	<input type="checkbox"/>
M83528/002K114	806K-0765	0.103 (2.616)	0.612 (15.54)	<input type="checkbox"/>
M83528/002K115	806K-0766	0.103 (2.616)	0.676 (17.17)	<input type="checkbox"/>
M83528/002K117	806K-0767	0.103 (2.616)	0.799 (20.29)	<input type="checkbox"/>
M83528/002K126	806K-0769	0.103 (2.616)	1.362 (34.59)	<input type="checkbox"/>
M83528/002K128	806K-0770	0.103 (2.616)	1.487 (37.76)	<input type="checkbox"/>
M83528/002K022	806K-0771	0.103 (2.616)	1.612 (40.94)	<input type="checkbox"/>
M83528/002K132	806K-0772	0.103 (2.616)	1.737 (44.11)	<input type="checkbox"/>
M83528/002K023	806K-0773	0.103 (2.616)	1.79 (45.46)	<input type="checkbox"/>
M83528/002K134	806K-0784	0.103 (2.616)	1.862 (47.29)	<input type="checkbox"/>
M83528/002K142	806K-0785	0.103 (2.616)	2.362 (59.99)	<input type="checkbox"/>
M83528/002K145	806K-0786	0.103 (2.616)	2.55 (64.77)	<input type="checkbox"/>
M83528/002K155	806K-0774	0.103 (2.616)	3.987 (101.26)	<input type="checkbox"/>
M83528/002K029	806K-0775	0.115 (2.92)	2.683 (68.14)	<input type="checkbox"/>
M83528/002K022	806K-0777	0.139 (3.530)	2.011 (51.07)	<input type="checkbox"/>

### GO TO O-RINGS MATERIAL

- [806A Silver Copper Silicone, 65 Duro](#)
- [805B Silver Aluminum Silicone](#)
- [816C Silver Copper Fluorosilicone](#)
- [815D Silver Aluminum Fluorosilicone](#)
- [808E Pure Silver Silicone, 65 Duro](#)
- [818F Pure Silver Fluorosilicone](#)
- [808H Pure Silver Silicone, 80 Duro](#)
- [806K Silver Copper Silicone, 85 Duro](#)
- [804L Silver Nickel Silicone](#)**
- [803M Silver Glass Silicone](#)
- [801 Carbon Silicone](#)
- [802 Nickel Graphite Silicone](#)
- [812 Nickel Graphite Fluorosilicone](#)



- O-RINGS
  - D-RINGS
  - WASHERS
  - WAVE GUIDES
- Die Cut Sq. Rectangular  
 Die Cut Circular  
 Molded Rec. O X-Section  
 Molded Rec. D X-Section

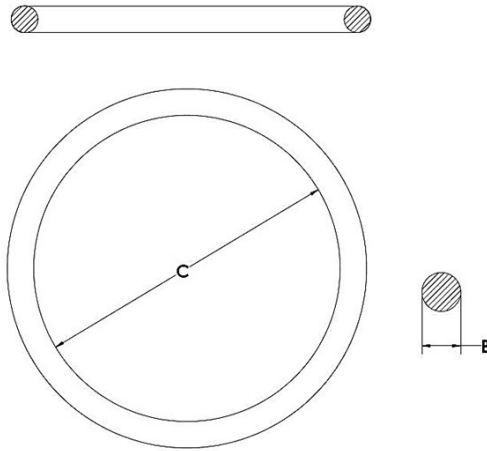
### Material 804L – O-Rings

[Material 804L Data Sheet](#)

MIL SPEC No.	NJB Part No.	Dimension B (mm)	Dimension C (mm)	RFQ or Information
M83528/005L001	804-0701	0.03 (0.76)	0.442 (11.22)	<a href="#">✉</a>
M83528/005L002	804-0702	0.03 (0.76)	0.577 (14.65)	<a href="#">✉</a>
M83528/005L003	804-0703	0.03 (0.76)	0.692 (17.57)	<a href="#">✉</a>
M83528/005L004	804-0704	0.03 (0.76)	0.817 (20.75)	<a href="#">✉</a>
M83528/005L005	804-0705	0.039 (0.99)	0.425 (10.79)	<a href="#">✉</a>
M83528/005L006	804-0706	0.048 (1.22)	0.295 (7.49)	<a href="#">✉</a>
M83528/005L007	804-0707	0.05 (1.27)	0.533 (13.53)	<a href="#">✉</a>
M83528/005L008	804-0708	0.051 (1.29)	0.446 (11.32)	<a href="#">✉</a>
M83528/005L009	804-0709	0.057 (0.061)	0.415 (10.54)	<a href="#">✉</a>
M83528/005L010	804-0710	0.063 (1.447)	0.541 (13.74)	<a href="#">✉</a>
M83528/005L011	804-0711	0.063 (1.447)	0.648 (16.46)	<a href="#">✉</a>
M83528/005L012	804-0712	0.068 (1.727)	0.847 (21.51)	<a href="#">✉</a>
M83528/005L013	804-0713	0.068 (1.727)	1.182 (30.02)	<a href="#">✉</a>
M83528/005L014	804-0714	0.068 (1.727)	3.165 (80.39)	<a href="#">✉</a>
M83528/002L007	804-0715	.070 (1.78)	0.145 (3.68)	<a href="#">✉</a>
M83528/002L011	804-0716	.070 (1.78)	0.301 (7.65)	<a href="#">✉</a>
M83528/002L012	804-0717	.070 (1.78)	0.364 (9.25)	<a href="#">✉</a>
M83528/002L013	804-0718	.070 (1.78)	0.426 (10.82)	<a href="#">✉</a>
M83528/002L014	804-0719	.070 (1.78)	0.489 (12.42)	<a href="#">✉</a>
M83528/002L015	804-0720	.070 (1.78)	0.495 (12.57)	<a href="#">✉</a>
M83528/002L015	804-0721	.070 (1.78)	0.551 (13.99)	<a href="#">✉</a>
M83528/002L016	804-0722	.070 (1.78)	0.61 (15.49)	<a href="#">✉</a>
M83528/002L017	804-0723	.070 (1.78)	0.635 (16.12)	<a href="#">✉</a>
M83528/002L018	804-0724	.070 (1.78)	0.667 (16.94)	<a href="#">✉</a>
M83528/002L017	804-0725	.070 (1.78)	0.676 (17.17)	<a href="#">✉</a>
M83528/002L018	804-0727	.070 (1.78)	0.739 (18.77)	<a href="#">✉</a>
M83528/002L019	804-0728	.070 (1.78)	0.801 (20.34)	<a href="#">✉</a>

**GO TO O-RINGS MATERIAL**

- [806A Silver Copper Silicone, 65 Duro](#)
- [805B Silver Aluminum Silicone](#)
- [816C Silver Copper Fluorosilicone](#)
- [815D Silver Aluminum Fluorosilicone](#)
- [808E Pure Silver Silicone, 65 Duro](#)
- [818F Pure Silver Fluorosilicone](#)
- [808H Pure Silver Silicone, 80 Duro](#)
- [806K Silver Copper Silicone, 85 Duro](#)
- [804L Silver Nickel Silicone](#)**
- [803M Silver Glass Silicone](#)
- [801 Carbon Silicone](#)
- [802 Nickel Graphite Silicone](#)
- [812 Nickel Graphite Fluorosilicone](#)



- O-RINGS
  - D-RINGS
  - FLAT WASHERS
  - WAVE GUIDES
- Die Cut Sq. Rectangular  
Die Cut Circular  
Molded Rec. O X-Section  
Molded Rec. D X-Section

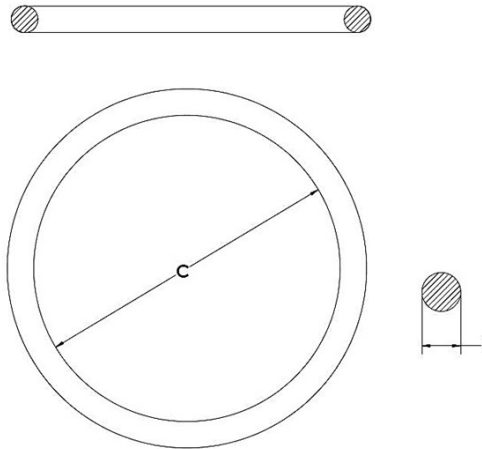
**Material 804L – O-Rings**

[Material 804L Data Sheet](#)

MIL SPEC No.	NJB Part No.	Dimension B (mm)	Dimension C (mm)	RFQ or Information
M83528/005L019	804-0729	.070 (1.78)	0.86 (21.84)	<input type="checkbox"/>
M83528/002L020	804-0730	.070 (1.78)	.864 (21.94)	<input type="checkbox"/>
M83528/002L021	804-0731	.070 (1.78)	.926 (23.52)	<input type="checkbox"/>
M83528/002L022	804-0732	.070 (1.78)	.989 (25.12)	<input type="checkbox"/>
M83528/002L024	804-0735	.070 (1.78)	1.114 (28.30)	<input type="checkbox"/>
M83528/002L025	804-0736	.070 (1.78)	1.176 (4.470)	<input type="checkbox"/>
M83528/005L020	804-0737	.070 (1.78)	1.23 (31.24)	<input type="checkbox"/>
M83528/002L026	804-0738	.070 (1.78)	1.239 (31.47)	<input type="checkbox"/>
M83528/002L028	804-0740	.070 (1.78)	1.364 (34.65)	<input type="checkbox"/>
M83528/002L030	804-0743	.070 (1.78)	1.614 (40.99)	<input type="checkbox"/>
M83528/002L032	804-0746	.070 (1.78)	1.864 (47.34)	<input type="checkbox"/>
M83528/002L043	804-0750	.070 (1.78)	3.489 (88.62)	<input type="checkbox"/>
M83528/002L114	804-0765	0.103 (2.616)	0.612 (15.54)	<input type="checkbox"/>
M83528/002L115	804-0766	0.103 (2.616)	0.676 (17.17)	<input type="checkbox"/>
M83528/002L117	804-0767	0.103 (2.616)	0.799 (20.29)	<input type="checkbox"/>
M83528/002L126	804-0769	0.103 (2.616)	1.362 (34.59)	<input type="checkbox"/>
M83528/002L128	804-0770	0.103 (2.616)	1.487 (37.76)	<input type="checkbox"/>
M83528/002L022	804-0771	0.103 (2.616)	1.612 (40.94)	<input type="checkbox"/>
M83528/002L132	804-0772	0.103 (2.616)	1.737 (44.11)	<input type="checkbox"/>
M83528/002L023	804-0773	0.103 (2.616)	1.79 (45.46)	<input type="checkbox"/>
M83528/002L134	804-0784	0.103 (2.616)	1.862 (47.29)	<input type="checkbox"/>
M83528/002L142	804-0785	0.103 (2.616)	2.362 (59.99)	<input type="checkbox"/>
M83528/002L145	804-0786	0.103 (2.616)	2.55 (64.77)	<input type="checkbox"/>
M83528/002L155	804-0774	0.103 (2.616)	3.987 (101.26)	<input type="checkbox"/>
M83528/002L029	804-0775	0.115 (2.92)	2.683 (68.14)	<input type="checkbox"/>
M83528/002L022	804-0777	0.139 (3.530)	2.011 (51.07)	<input type="checkbox"/>

### GO TO O-RINGS MATERIAL

- [806A Silver Copper Silicone, 65 Duro](#)
- [805B Silver Aluminum Silicone](#)
- [816C Silver Copper Fluorosilicone](#)
- [815D Silver Aluminum Fluorosilicone](#)
- [808E Pure Silver Silicone, 65 Duro](#)
- [818F Pure Silver Fluorosilicone](#)
- [808H Pure Silver Silicone, 80 Duro](#)
- [806K Silver Copper Silicone, 85 Duro](#)
- [804L Silver Nickel Silicone](#)
- [803M Silver Glass Silicone](#)
- [801 Carbon Silicone](#)
- [802 Nickel Graphite Silicone](#)
- [812 Nickel Graphite Fluorosilicone](#)



- O-RINGS
  - D-RINGS
  - WASHERS
  - WAVE GUIDES
- Die Cut Sq. Rectangular  
 Die Cut Circular  
 Molded Rec. O X-Section  
 Molded Rec. D X-Section

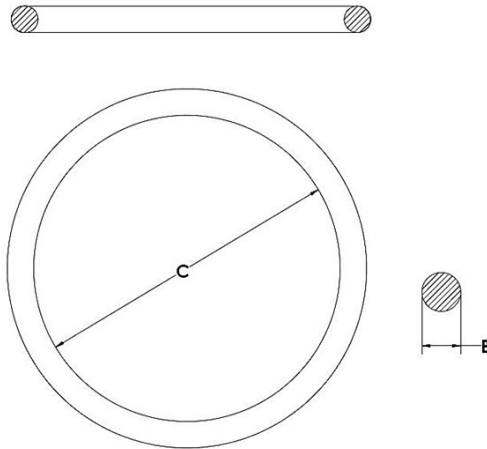
### Material 803M – O-Rings

[Material 803M Data Sheet](#)

MIL SPEC No.	NJB Part No.	Dimension B (mm)	Dimension C (mm)	RFQ or Information
M83528/005M001	803-0701	0.03 (0.76)	0.442 (11.22)	<input type="checkbox"/>
M83528/005M002	803-0702	0.03 (0.76)	0.577 (14.65)	<input type="checkbox"/>
M83528/005M003	803-0703	0.03 (0.76)	0.692 (17.57)	<input type="checkbox"/>
M83528/005M004	803-0704	0.03 (0.76)	0.817 (20.75)	<input type="checkbox"/>
M83528/005M005	803-0705	0.039 (0.99)	0.425 (10.79)	<input type="checkbox"/>
M83528/005M006	803-0706	0.048 (1.22)	0.295 (7.49)	<input type="checkbox"/>
M83528/005M007	803-0707	0.05 (1.27)	0.533 (13.53)	<input type="checkbox"/>
M83528/005M008	803-0708	0.051 (1.29)	0.446 (11.32)	<input type="checkbox"/>
M83528/005M009	803-0709	0.057 (0.061)	0.415 (10.54)	<input type="checkbox"/>
M83528/005M010	803-0710	0.063 (1.447)	0.541 (13.74)	<input type="checkbox"/>
M83528/005M011	803-0711	0.063 (1.447)	0.648 (16.46)	<input type="checkbox"/>
M83528/005M012	803-0712	0.068 (1.727)	0.847 (21.51)	<input type="checkbox"/>
M83528/005M013	803-0713	0.068 (1.727)	1.182 (30.02)	<input type="checkbox"/>
M83528/005M014	803-0714	0.068 (1.727)	3.165 (80.39)	<input type="checkbox"/>
M83528/002M007	803-0715	.070 (1.78)	0.145 (3.68)	<input type="checkbox"/>
M83528/002M011	803-0716	.070 (1.78)	0.301 (7.65)	<input type="checkbox"/>
M83528/002M012	803-0717	.070 (1.78)	0.364 (9.25)	<input type="checkbox"/>
M83528/002M013	803-0718	.070 (1.78)	0.426 (10.82)	<input type="checkbox"/>
M83528/002M014	803-0719	.070 (1.78)	0.489 (12.42)	<input type="checkbox"/>
M83528/002M015	803-0720	.070 (1.78)	0.495 (12.57)	<input type="checkbox"/>
M83528/002M015	803-0721	.070 (1.78)	0.551 (13.99)	<input type="checkbox"/>
M83528/002M016	803-0722	.070 (1.78)	0.61 (15.49)	<input type="checkbox"/>
M83528/002M017	803-0723	.070 (1.78)	0.635 (16.12)	<input type="checkbox"/>
M83528/002M018	803-0724	.070 (1.78)	0.667 (16.94)	<input type="checkbox"/>
M83528/002M017	803-0725	.070 (1.78)	0.676 (17.17)	<input type="checkbox"/>
M83528/002M018	803-0727	.070 (1.78)	0.739 (18.77)	<input type="checkbox"/>
M83528/002M019	803-0728	.070 (1.78)	0.801 (20.34)	<input type="checkbox"/>

### GO TO O-RINGS MATERIAL

- [806A Silver Copper Silicone, 65 Duro](#)
- [805B Silver Aluminum Silicone](#)
- [816C Silver Copper Fluorosilicone](#)
- [815D Silver Aluminum Fluorosilicone](#)
- [808E Pure Silver Silicone, 65 Duro](#)
- [818F Pure Silver Fluorosilicone](#)
- [808H Pure Silver Silicone, 80 Duro](#)
- [806K Silver Copper Silicone, 85 Duro](#)
- [804L Silver Nickel Silicone](#)
- [803M Silver Glass Silicone](#)
- [801 Carbon Silicone](#)
- [802 Nickel Graphite Silicone](#)
- [812 Nickel Graphite Fluorosilicone](#)



- O-RINGS
  - D-RINGS
  - FLAT WASHERS
  - WAVE GUIDES
- Die Cut Sq. Rectangular  
Die Cut Circular  
Molded Rec. O X-Section  
Molded Rec. D X-Section

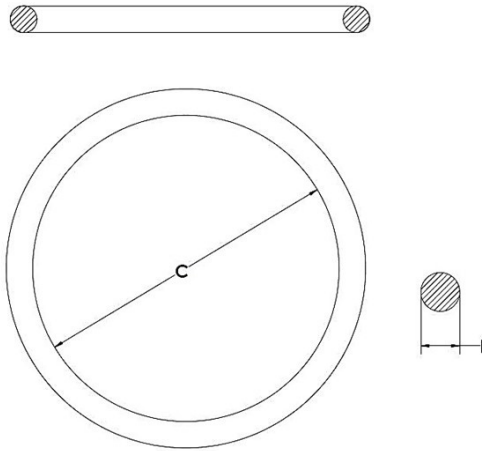
### Material 803M – O-Rings

### Material 803M Data Sheet

MIL SPEC No.	NJB Part No.	Dimension B (mm)	Dimension C (mm)	RFQ or Information
M83528/005M019	803-0729	.070 (1.78)	0.86 (21.84)	<input type="checkbox"/>
M83528/002M020	803-0730	.070 (1.78)	.864 (21.94)	<input type="checkbox"/>
M83528/002M021	803-0731	.070 (1.78)	.926 (23.52)	<input type="checkbox"/>
M83528/002M022	803-0732	.070 (1.78)	.989 (25.12)	<input type="checkbox"/>
M83528/002M024	803-0735	.070 (1.78)	1.114 (28.30)	<input type="checkbox"/>
M83528/002M025	803-0736	.070 (1.78)	1.176 (4.470)	<input type="checkbox"/>
M83528/005M020	803-0737	.070 (1.78)	1.23 (31.24)	<input type="checkbox"/>
M83528/002M026	803-0738	.070 (1.78)	1.239 (31.47)	<input type="checkbox"/>
M83528/002M028	803-0740	.070 (1.78)	1.364 (34.65)	<input type="checkbox"/>
M83528/002M030	803-0743	.070 (1.78)	1.614 (40.99)	<input type="checkbox"/>
M83528/002M032	803-0746	.070 (1.78)	1.864 (47.34)	<input type="checkbox"/>
M83528/002M043	803-0750	.070 (1.78)	3.489 (88.62)	<input type="checkbox"/>
M83528/002M114	803-0765	0.103 (2.616)	0.612 (15.54)	<input type="checkbox"/>
M83528/002M115	803-0766	0.103 (2.616)	0.676 (17.17)	<input type="checkbox"/>
M83528/002M117	803-0767	0.103 (2.616)	0.799 (20.29)	<input type="checkbox"/>
M83528/002M126	803-0769	0.103 (2.616)	1.362 (34.59)	<input type="checkbox"/>
M83528/002M128	803-0770	0.103 (2.616)	1.487 (37.76)	<input type="checkbox"/>
M83528/002M022	803-0771	0.103 (2.616)	1.612 (40.94)	<input type="checkbox"/>
M83528/002M132	803-0772	0.103 (2.616)	1.737 (44.11)	<input type="checkbox"/>
M83528/002M023	803-0773	0.103 (2.616)	1.79 (45.46)	<input type="checkbox"/>
M83528/002M134	803-0784	0.103 (2.616)	1.862 (47.29)	<input type="checkbox"/>
M83528/002M142	803-0785	0.103 (2.616)	2.362 (59.99)	<input type="checkbox"/>
M83528/002M145	803-0786	0.103 (2.616)	2.55 (64.77)	<input type="checkbox"/>
M83528/002M155	803-0774	0.103 (2.616)	3.987 (101.26)	<input type="checkbox"/>
M83528/002M029	803-0775	0.115 (2.92)	2.683 (68.14)	<input type="checkbox"/>
M83528/002M022	803-0777	0.139 (3.530)	2.011 (51.07)	<input type="checkbox"/>

### GO TO O-RINGS MATERIAL

- [806A Silver Copper Silicone, 65 Duro](#)
- [805B Silver Aluminum Silicone](#)
- [816C Silver Copper Fluorosilicone](#)
- [815D Silver Aluminum Fluorosilicone](#)
- [808E Pure Silver Silicone, 65 Duro](#)
- [818F Pure Silver Fluorosilicone](#)
- [808H Pure Silver Silicone, 80 Duro](#)
- [806K Silver Copper Silicone, 85 Duro](#)
- [804L Silver Nickel Silicone](#)
- [803M Silver Glass Silicone](#)
- 801 Carbon Silicone**
- [802 Nickel Graphite Silicone](#)
- [812 Nickel Graphite Fluorosilicone](#)



- O-RINGS
- D-RINGS
- WASHERS
- WAVE GUIDES
  - Die Cut Sq. Rectangular
  - Die Cut Circular
  - Molded Rec. O X-Section
  - Molded Rec. D X-Section

### Material 801 – O-Rings

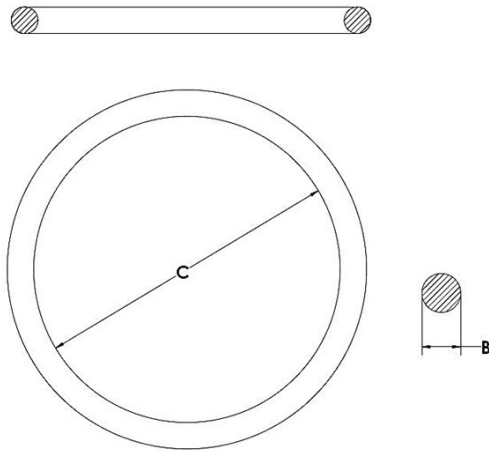
[Material 801 Data Sheet](#)

MIL SPEC No.	NJB Part No.	Dimension B (mm)	Dimension C (mm)	RFQ or Information
N/A	801-0701	0.03 (0.76)	0.442 (11.22)	<input type="checkbox"/>
N/A	801-0702	0.03 (0.76)	0.577 (14.65)	<input type="checkbox"/>
N/A	801-0703	0.03 (0.76)	0.692 (17.57)	<input type="checkbox"/>
N/A	801-0704	0.03 (0.76)	0.817 (20.75)	<input type="checkbox"/>
N/A	801-0705	0.039 (0.99)	0.425 (10.79)	<input type="checkbox"/>
N/A	801-0706	0.048 (1.22)	0.295 (7.49)	<input type="checkbox"/>
N/A	801-0707	0.05 (1.27)	0.533 (13.53)	<input type="checkbox"/>
N/A	801-0708	0.051 (1.29)	0.446 (11.32)	<input type="checkbox"/>
N/A	801-0709	0.057 (0.061)	0.415 (10.54)	<input type="checkbox"/>
N/A	801-0710	0.063 (1.447)	0.541 (13.74)	<input type="checkbox"/>
N/A	801-0711	0.063 (1.447)	0.648 (16.46)	<input type="checkbox"/>
N/A	801-0712	0.068 (1.727)	0.847 (21.51)	<input type="checkbox"/>
N/A	801-0713	0.068 (1.727)	1.182 (30.02)	<input type="checkbox"/>
N/A	801-0714	0.068 (1.727)	3.165 (80.39)	<input type="checkbox"/>
N/A	801-0715	.070 (1.78)	0.145 (3.68)	<input type="checkbox"/>
N/A	801-0716	.070 (1.78)	0.301 (7.65)	<input type="checkbox"/>
N/A	801-0717	.070 (1.78)	0.364 (9.25)	<input type="checkbox"/>
N/A	801-0718	.070 (1.78)	0.426 (10.82)	<input type="checkbox"/>
N/A	801-0719	.070 (1.78)	0.489 (12.42)	<input type="checkbox"/>
N/A	801-0720	.070 (1.78)	0.495 (12.57)	<input type="checkbox"/>
N/A	801-0721	.070 (1.78)	0.551 (13.99)	<input type="checkbox"/>
N/A	801-0722	.070 (1.78)	0.61 (15.49)	<input type="checkbox"/>
N/A	801-0723	.070 (1.78)	0.635 (16.12)	<input type="checkbox"/>
N/A	801-0724	.070 (1.78)	0.667 (16.94)	<input type="checkbox"/>
N/A	801-0725	.070 (1.78)	0.676 (17.17)	<input type="checkbox"/>
N/A	801-0727	.070 (1.78)	0.739 (18.77)	<input type="checkbox"/>
N/A	801-0728	.070 (1.78)	0.801 (20.34)	<input type="checkbox"/>



### GO TO O-RINGS MATERIAL

- [806A Silver Copper Silicone, 65 Duro](#)
- [805B Silver Aluminum Silicone](#)
- [816C Silver Copper Fluorosilicone](#)
- [815D Silver Aluminum Fluorosilicone](#)
- [808E Pure Silver Silicone, 65 Duro](#)
- [818F Pure Silver Fluorosilicone](#)
- [808H Pure Silver Silicone, 80 Duro](#)
- [806K Silver Copper Silicone, 85 Duro](#)
- [804L Silver Nickel Silicone](#)
- [803M Silver Glass Silicone](#)
- 801 Carbon Silicone**
- [802 Nickel Graphite Silicone](#)
- [812 Nickel Graphite Fluorosilicone](#)



- O-RINGS
- D-RINGS
- FLAT WASHERS
- WAVE GUIDES
  - Die Cut Sq. Rectangular
  - Die Cut Circular
  - Molded Rec. O X-Section
  - Molded Rec. D X-Section

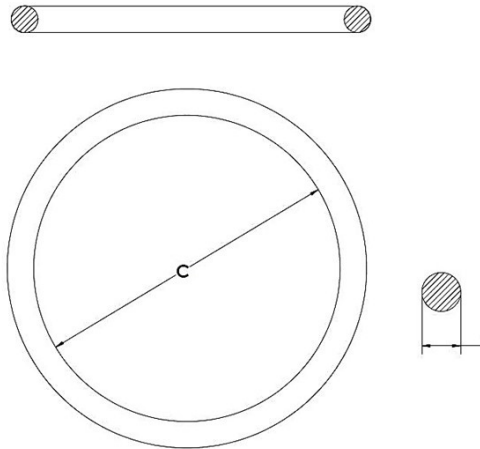
### Material 801 – O-Rings

### Material 801 Data Sheet

MIL SPEC No.	NJB Part No.	Dimension B (mm)	Dimension C (mm)	RFQ or Information
N/A	801-0729	.070 (1.78)	0.86 (21.84)	
N/A	801-0730	.070 (1.78)	.864 (21.94)	
N/A	801-0731	.070 (1.78)	.926 (23.52)	
N/A	801-0732	.070 (1.78)	.989 (25.12)	
N/A	801-0735	.070 (1.78)	1.114 (28.30)	
N/A	801-0736	.070 (1.78)	1.176 (4.470)	
N/A	801-0737	.070 (1.78)	1.23 (31.24)	
N/A	801-0738	.070 (1.78)	1.239 (31.47)	
N/A	801-0740	.070 (1.78)	1.364 (34.65)	
N/A	801-0743	.070 (1.78)	1.614 (40.99)	
N/A	801-0746	.070 (1.78)	1.864 (47.34)	
N/A	801-0750	.070 (1.78)	3.489 (88.62)	
N/A	801-0765	0.103 (2.616)	0.612 (15.54)	
N/A	801-0766	0.103 (2.616)	0.676 (17.17)	
N/A	801-0767	0.103 (2.616)	0.799 (20.29)	
N/A	801-0769	0.103 (2.616)	1.362 (34.59)	
N/A	801-0770	0.103 (2.616)	1.487 (37.76)	
N/A	801-0771	0.103 (2.616)	1.612 (40.94)	
N/A	801-0772	0.103 (2.616)	1.737 (44.11)	
N/A	801-0773	0.103 (2.616)	1.79 (45.46)	
N/A	801-0784	0.103 (2.616)	1.862 (47.29)	
N/A	801-0785	0.103 (2.616)	2.362 (59.99)	
N/A	801-0786	0.103 (2.616)	2.55 (64.77)	
N/A	801-0774	0.103 (2.616)	3.987 (101.26)	
N/A	801-0775	0.115 (2.92)	2.683 (68.14)	
N/A	801-0777	0.139 (3.530)	2.011 (51.07)	

**GO TO O-RINGS MATERIAL**

- [806A Silver Copper Silicone, 65 Duro](#)
- [805B Silver Aluminum Silicone](#)
- [816C Silver Copper Fluorosilicone](#)
- [815D Silver Aluminum Fluorosilicone](#)
- [808E Pure Silver Silicone, 65 Duro](#)
- [818F Pure Silver Fluorosilicone](#)
- [808H Pure Silver Silicone, 80 Duro](#)
- [806K Silver Copper Silicone, 85 Duro](#)
- [804L Silver Nickel Silicone](#)
- [803M Silver Glass Silicone](#)
- [801 Carbon Silicone](#)
- [802 Nickel Graphite Silicone](#)**
- [812 Nickel Graphite Fluorosilicone](#)



- O-RINGS**
- D-RINGS**
- WASHERS**
- WAVE GUIDES**
  - Die Cut Sq. Rectangular
  - Die Cut Circular
  - Molded Rec. O X-Section
  - Molded Rec. D X-Section

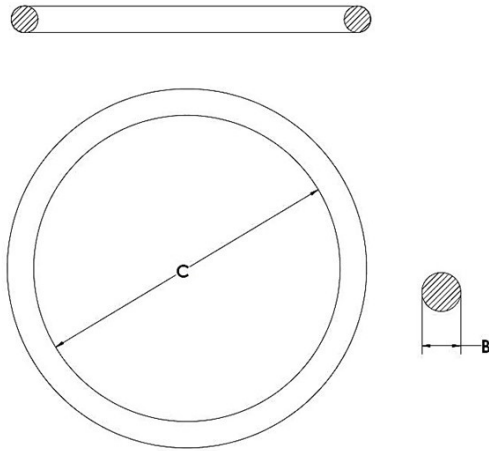
**Material 802 – O-Rings**

[Material 802 Data Sheet](#)

MIL SPEC No.	NJB Part No.	Dimension B (mm)	Dimension C (mm)	RFQ or Information
N/A	802-0701	0.03 (0.76)	0.442 (11.22)	<input type="checkbox"/>
N/A	802-0702	0.03 (0.76)	0.577 (14.65)	<input type="checkbox"/>
N/A	802-0703	0.03 (0.76)	0.692 (17.57)	<input type="checkbox"/>
N/A	802-0704	0.03 (0.76)	0.817 (20.75)	<input type="checkbox"/>
N/A	802-0705	0.039 (0.99)	0.425 (10.79)	<input type="checkbox"/>
N/A	802-0706	0.048 (1.22)	0.295 (7.49)	<input type="checkbox"/>
N/A	802-0707	0.05 (1.27)	0.533 (13.53)	<input type="checkbox"/>
N/A	802-0708	0.051 (1.29)	0.446 (11.32)	<input type="checkbox"/>
N/A	802-0709	0.057 (0.061)	0.415 (10.54)	<input type="checkbox"/>
N/A	802-0710	0.063 (1.447)	0.541 (13.74)	<input type="checkbox"/>
N/A	802-0711	0.063 (1.447)	0.648 (16.46)	<input type="checkbox"/>
N/A	802-0712	0.068 (1.727)	0.847 (21.51)	<input type="checkbox"/>
N/A	802-0713	0.068 (1.727)	1.182 (30.02)	<input type="checkbox"/>
N/A	802-0714	0.068 (1.727)	3.165 (80.39)	<input type="checkbox"/>
N/A	802-0715	.070 (1.78)	0.145 (3.68)	<input type="checkbox"/>
N/A	802-0716	.070 (1.78)	0.301 (7.65)	<input type="checkbox"/>
N/A	802-0717	.070 (1.78)	0.364 (9.25)	<input type="checkbox"/>
N/A	802-0718	.070 (1.78)	0.426 (10.82)	<input type="checkbox"/>
N/A	802-0719	.070 (1.78)	0.489 (12.42)	<input type="checkbox"/>
N/A	802-0720	.070 (1.78)	0.495 (12.57)	<input type="checkbox"/>
N/A	802-0721	.070 (1.78)	0.551 (13.99)	<input type="checkbox"/>
N/A	802-0722	.070 (1.78)	0.61 (15.49)	<input type="checkbox"/>
N/A	802-0723	.070 (1.78)	0.635 (16.12)	<input type="checkbox"/>
N/A	802-0724	.070 (1.78)	0.667 (16.94)	<input type="checkbox"/>
N/A	802-0725	.070 (1.78)	0.676 (17.17)	<input type="checkbox"/>
N/A	802-0727	.070 (1.78)	0.739 (18.77)	<input type="checkbox"/>
N/A	802-0728	.070 (1.78)	0.801 (20.34)	<input type="checkbox"/>

### GO TO O-RINGS MATERIAL

- [806A Silver Copper Silicone, 65 Duro](#)
- [805B Silver Aluminum Silicone](#)
- [816C Silver Copper Fluorosilicone](#)
- [815D Silver Aluminum Fluorosilicone](#)
- [808E Pure Silver Silicone, 65 Duro](#)
- [818F Pure Silver Fluorosilicone](#)
- [808H Pure Silver Silicone, 80 Duro](#)
- [806K Silver Copper Silicone, 85 Duro](#)
- [804L Silver Nickel Silicone](#)
- [803M Silver Glass Silicone](#)
- [801 Carbon Silicone](#)
- [802 Nickel Graphite Silicone](#)**
- [812 Nickel Graphite Fluorosilicone](#)



- O-RINGS
- D-RINGS
- FLAT WASHERS
- WAVE GUIDES
  - Die Cut Sq. Rectangular
  - Die Cut Circular
  - Molded Rec. O X-Section
  - Molded Rec. D X-Section

### Material 802 – O-Rings

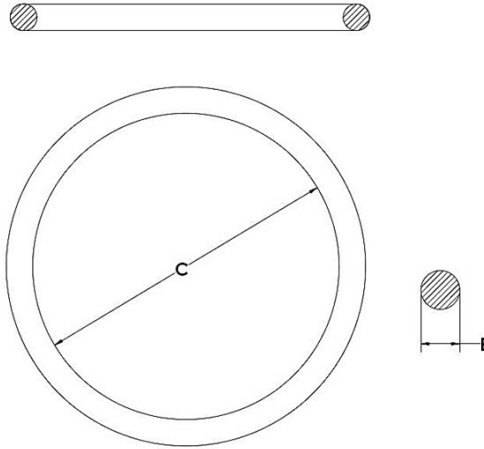


### Material 802 Data Sheet

MIL SPEC No.	NJB Part No.	Dimension B (mm)	Dimension C (mm)	RFQ or Information
N/A	802-0729	.070 (1.78)	0.86 (21.84)	☐
N/A	802-0730	.070 (1.78)	.864 (21.94)	☐
N/A	802-0731	.070 (1.78)	.926 (23.52)	☐
N/A	802-0732	.070 (1.78)	.989 (25.12)	☐
N/A	802-0735	.070 (1.78)	1.114 (28.30)	☐
N/A	802-0736	.070 (1.78)	1.176 (4.470)	☐
N/A	802-0737	.070 (1.78)	1.23 (31.24)	☐
N/A	802-0738	.070 (1.78)	1.239 (31.47)	☐
N/A	802-0740	.070 (1.78)	1.364 (34.65)	☐
N/A	802-0743	.070 (1.78)	1.614 (40.99)	☐
N/A	802-0746	.070 (1.78)	1.864 (47.34)	☐
N/A	802-0750	.070 (1.78)	3.489 (88.62)	☐
N/A	802-0765	0.103 (2.616)	0.612 (15.54)	☐
N/A	802-0766	0.103 (2.616)	0.676 (17.17)	☐
N/A	802-0767	0.103 (2.616)	0.799 (20.29)	☐
N/A	802-0769	0.103 (2.616)	1.362 (34.59)	☐
N/A	802-0770	0.103 (2.616)	1.487 (37.76)	☐
N/A	802-0771	0.103 (2.616)	1.612 (40.94)	☐
N/A	802-0772	0.103 (2.616)	1.737 (44.11)	☐
N/A	802-0773	0.103 (2.616)	1.79 (45.46)	☐
N/A	802-0784	0.103 (2.616)	1.862 (47.29)	☐
N/A	802-0785	0.103 (2.616)	2.362 (59.99)	☐
N/A	802-0786	0.103 (2.616)	2.55 (64.77)	☐
N/A	802-0774	0.103 (2.616)	3.987 (101.26)	☐
N/A	802-0775	0.115 (2.92)	2.683 (68.14)	☐
N/A	802-0777	0.139 (3.530)	2.011 (51.07)	☐

### GO TO O-RINGS MATERIAL

- [806A Silver Copper Silicone, 65 Duro](#)
- [805B Silver Aluminum Silicone](#)
- [816C Silver Copper Fluorosilicone](#)
- [815D Silver Aluminum Fluorosilicone](#)
- [808E Pure Silver Silicone, 65 Duro](#)
- [818F Pure Silver Fluorosilicone](#)
- [808H Pure Silver Silicone, 80 Duro](#)
- [806K Silver Copper Silicone, 85 Duro](#)
- [804L Silver Nickel Silicone](#)
- [803M Silver Glass Silicone](#)
- [801 Carbon Silicone](#)
- [802 Nickel Graphite Silicone](#)
- [812 Nickel Graphite Fluorosilicone](#)



- O-RINGS
- D-RINGS
- WASHERS
- WAVE GUIDES
  - Die Cut Sq. Rectangular
  - Die Cut Circular
  - Molded Rec. O X-Section
  - Molded Rec. D X-Section

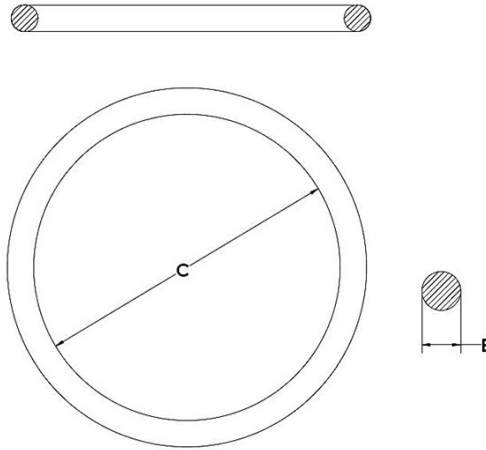
### Material 812 – O-Rings

[Material 812 Data Sheet](#)

MIL SPEC No.	NJB Part No.	Dimension B (mm)	Dimension C (mm)	RFQ or Information
N/A	812-0701	0.03 (0.76)	0.442 (11.22)	
N/A	812-0702	0.03 (0.76)	0.577 (14.65)	
N/A	812-0703	0.03 (0.76)	0.692 (17.57)	
N/A	812-0704	0.03 (0.76)	0.817 (20.75)	
N/A	812-0705	0.039 (0.99)	0.425 (10.79)	
N/A	812-0706	0.048 (1.22)	0.295 (7.49)	
N/A	812-0707	0.05 (1.27)	0.533 (13.53)	
N/A	812-0708	0.051 (1.29)	0.446 (11.32)	
N/A	812-0709	0.057 (0.061)	0.415 (10.54)	
N/A	812-0710	0.063 (1.447)	0.541 (13.74)	
N/A	812-0711	0.063 (1.447)	0.648 (16.46)	
N/A	812-0712	0.068 (1.727)	0.847 (21.51)	
N/A	812-0713	0.068 (1.727)	1.182 (30.02)	
N/A	812-0714	0.068 (1.727)	3.165 (80.39)	
N/A	812-0715	.070 (1.78)	0.145 (3.68)	
N/A	812-0716	.070 (1.78)	0.301 (7.65)	
N/A	812-0717	.070 (1.78)	0.364 (9.25)	
N/A	812-0718	.070 (1.78)	0.426 (10.82)	
N/A	812-0719	.070 (1.78)	0.489 (12.42)	
N/A	812-0720	.070 (1.78)	0.495 (12.57)	
N/A	812-0721	.070 (1.78)	0.551 (13.99)	
N/A	812-0722	.070 (1.78)	0.61 (15.49)	
N/A	812-0723	.070 (1.78)	0.635 (16.12)	
N/A	812-0724	.070 (1.78)	0.667 (16.94)	
N/A	812-0725	.070 (1.78)	0.676 (17.17)	
N/A	812-0727	.070 (1.78)	0.739 (18.77)	
N/A	812-0728	.070 (1.78)	0.801 (20.34)	

### GO TO O-RINGS MATERIAL

- [806A Silver Copper Silicone, 65 Duro](#)
- [805B Silver Aluminum Silicone](#)
- [816C Silver Copper Fluorosilicone](#)
- [815D Silver Aluminum Fluorosilicone](#)
- [808E Pure Silver Silicone, 65 Duro](#)
- [818F Pure Silver Fluorosilicone](#)
- [808H Pure Silver Silicone, 80 Duro](#)
- [806K Silver Copper Silicone, 85 Duro](#)
- [804L Silver Nickel Silicone](#)
- [803M Silver Glass Silicone](#)
- [801 Carbon Silicone](#)
- [802 Nickel Graphite Silicone](#)
- [812 Nickel Graphite Fluorosilicone](#)



- O-RINGS
- D-RINGS
- FLAT WASHERS
- WAVE GUIDES
  - Die Cut Sq. Rectangular
  - Die Cut Circular
  - Molded Rec. O X-Section
  - Molded Rec. D X-Section

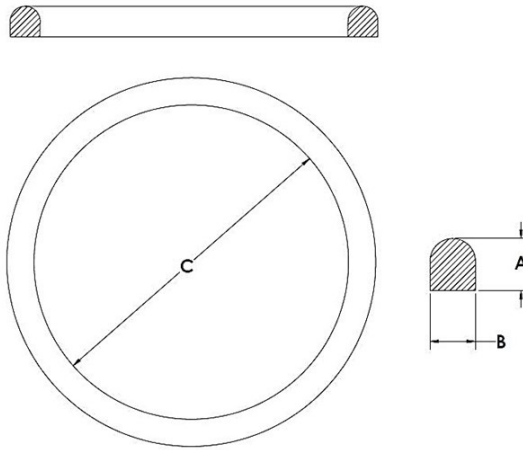
### Material 812 – O-Rings

[Material 812 Data Sheet](#)

MIL SPEC No.	NJB Part No.	Dimension B (mm)	Dimension C (mm)	RFQ or Information
N/A	812-0729	.070 (1.78)	0.86 (21.84)	<input type="checkbox"/>
N/A	812-0730	.070 (1.78)	.864 (21.94)	<input type="checkbox"/>
N/A	812-0731	.070 (1.78)	.926 (23.52)	<input type="checkbox"/>
N/A	812-0732	.070 (1.78)	.989 (25.12)	<input type="checkbox"/>
N/A	812-0735	.070 (1.78)	1.114 (28.30)	<input type="checkbox"/>
N/A	812-0736	.070 (1.78)	1.176 (4.470)	<input type="checkbox"/>
N/A	812-0737	.070 (1.78)	1.23 (31.24)	<input type="checkbox"/>
N/A	812-0738	.070 (1.78)	1.239 (31.47)	<input type="checkbox"/>
N/A	812-0740	.070 (1.78)	1.364 (34.65)	<input type="checkbox"/>
N/A	812-0743	.070 (1.78)	1.614 (40.99)	<input type="checkbox"/>
N/A	812-0746	.070 (1.78)	1.864 (47.34)	<input type="checkbox"/>
N/A	812-0750	.070 (1.78)	3.489 (88.62)	<input type="checkbox"/>
N/A	812-0765	0.103 (2.616)	0.612 (15.54)	<input type="checkbox"/>
N/A	812-0766	0.103 (2.616)	0.676 (17.17)	<input type="checkbox"/>
N/A	812-0767	0.103 (2.616)	0.799 (20.29)	<input type="checkbox"/>
N/A	812-0769	0.103 (2.616)	1.362 (34.59)	<input type="checkbox"/>
N/A	812-0770	0.103 (2.616)	1.487 (37.76)	<input type="checkbox"/>
N/A	812-0771	0.103 (2.616)	1.612 (40.94)	<input type="checkbox"/>
N/A	812-0772	0.103 (2.616)	1.737 (44.11)	<input type="checkbox"/>
N/A	812-0773	0.103 (2.616)	1.79 (45.46)	<input type="checkbox"/>
N/A	812-0784	0.103 (2.616)	1.862 (47.29)	<input type="checkbox"/>
N/A	812-0785	0.103 (2.616)	2.362 (59.99)	<input type="checkbox"/>
N/A	812-0786	0.103 (2.616)	2.55 (64.77)	<input type="checkbox"/>
N/A	812-0774	0.103 (2.616)	3.987 (101.26)	<input type="checkbox"/>
N/A	812-0775	0.115 (2.92)	2.683 (68.14)	<input type="checkbox"/>
N/A	812-0777	0.139 (3.530)	2.011 (51.07)	<input type="checkbox"/>

**GO TO D-RINGS MATERIAL**

- [806A Silver Copper Silicone, 65 Duro](#)
- [805B Silver Aluminum Silicone](#)
- [816C Silver Copper Fluorosilicone](#)
- [815D Silver Aluminum Fluorosilicone](#)
- [808E Pure Silver Silicone, 65 Duro](#)
- [818F Pure Silver Fluorosilicone](#)
- [808H Pure Silver Silicone, 80 Duro](#)
- [806K Silver Copper Silicone, 85 Duro](#)
- [804L Silver Nickel Silicone](#)
- [803M Silver Glass Silicone](#)
- [801 Carbon Silicone](#)
- [802 Nickel Graphite Silicone](#)
- [812 Nickel Graphite Fluorosilicone](#)



- O-RINGS
  - D-RINGS
  - FLAT WASHERS
  - WAVE GUIDES
- Die Cut Sq. Rectangular  
Die Cut Circular  
Molded Rec. O X-Section  
Molded Rec. D X-Section

**Material 806A – D Rings**

[Material 806A Data Sheet](#)

MIL SPEC No.	NJB Part No.	Dimension A (mm)	Dimension B (mm)	Dimension C I.D. (mm)	Radius (mm)	RFQ or Information
M83528/013A002	806A-0803	0.056 (0.002)	0.082 (0.003)	0.41 (0.016)	0.041 (0.002)	<input type="checkbox"/>
M83528/013A004	806A-0801	0.048 (0.002)	0.078 (0.003)	0.587 (0.023)	FULL	<input type="checkbox"/>
M83528/013A006	806A-0831	0.125 (0.005)	0.155 (0.006)	0.885 (0.035)	FULL	<input type="checkbox"/>
M83528/013A008	806A-0810	0.065 (0.003)	0.099 (0.004)	1.122 (0.044)	0.049 (0.002)	<input type="checkbox"/>
M83528/013A011	806A-0825	0.088 (0.003)	0.095 (0.004)	1.34 (0.053)	FULL	<input type="checkbox"/>
M83528/013A012	806A-0821	0.077 (0.003)	0.115 (0.005)	1.31 (0.052)	FULL	<input type="checkbox"/>
M83528/013A014	806A-0824	0.085 (0.003)	0.095 (0.004)	1.392 (0.055)	FULL	<input type="checkbox"/>
M83528/013A017	806A-0822	0.078 (0.003)	0.105 (0.004)	1.55 (0.061)	FULL	<input type="checkbox"/>
M83528/013A036	806A-0834	0.188 (0.007)	0.24 (0.009)	3.91 (0.154)	FULL	<input type="checkbox"/>

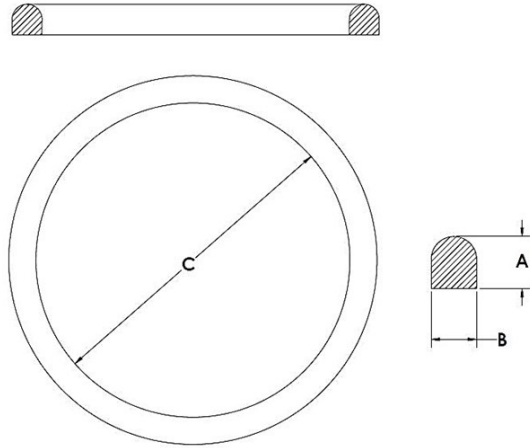
**Material 805B – D Rings**

[Material 805B Data Sheet](#)

MIL SPEC No.	NJB Part No.	Dimension A (mm)	Dimension B (mm)	Dimension C I.D. (mm)	Radius (mm)	RFQ or Information
M83528/013B002	805-0803	0.056 (0.002)	0.082 (0.003)	0.41 (0.016)	0.041 (0.002)	<input type="checkbox"/>
M83528/013B004	805-0801	0.048 (0.002)	0.078 (0.003)	0.587 (0.023)	FULL	<input type="checkbox"/>
M83528/013B006	805-0831	0.125 (0.005)	0.155 (0.006)	0.885 (0.035)	FULL	<input type="checkbox"/>
M83528/013B008	805-0810	0.065 (0.003)	0.099 (0.004)	1.122 (0.044)	0.049 (0.002)	<input type="checkbox"/>
M83528/013B011	805-0825	0.088 (0.003)	0.095 (0.004)	1.34 (0.053)	FULL	<input type="checkbox"/>
M83528/013B012	805-0821	0.077 (0.003)	0.115 (0.005)	1.31 (0.052)	FULL	<input type="checkbox"/>
M83528/013B014	805-0824	0.085 (0.003)	0.095 (0.004)	1.392 (0.055)	FULL	<input type="checkbox"/>
M83528/013B017	805-0822	0.078 (0.003)	0.105 (0.004)	1.55 (0.061)	FULL	<input type="checkbox"/>
M83528/013B036	805-0834	0.188 (0.007)	0.24 (0.009)	3.91 (0.154)	FULL	<input type="checkbox"/>

### GO TO D-RINGS MATERIAL

- [806A Silver Copper Silicone, 65 Duro](#)
- [805B Silver Aluminum Silicone](#)
- [816C Silver Copper Fluorosilicone](#)
- [815D Silver Aluminum Fluorosilicone](#)
- [808E Pure Silver Silicone, 65 Duro](#)
- [818F Pure Silver Fluorosilicone](#)
- [808H Pure Silver Silicone, 80 Duro](#)
- [806K Silver Copper Silicone, 85 Duro](#)
- [804L Silver Nickel Silicone](#)
- [803M Silver Glass Silicone](#)
- [801 Carbon Silicone](#)
- [802 Nickel Graphite Silicone](#)
- [812 Nickel Graphite Fluorosilicone](#)



- O-RINGS
- D-RINGS
- WASHERS
- WAVE GUIDES
  - Die Cut Sq. Rectangular
  - Die Cut Circular
  - Molded Rec. O X-Section
  - Molded Rec. D X-Section

### Material 816C – D Rings

[Material 816C Data Sheet](#)

MIL SPEC No.	NJB Part No.	Dimension A (mm)	Dimension B (mm)	Dimension C I.D. (mm)	Radius (mm)	RFQ or Information
M83528/013C002	816-0803	0.056 (0.002)	0.082 (0.003)	0.41 (0.016)	0.041 (0.002)	☒
M83528/013C004	816-0801	0.048 (0.002)	0.078 (0.003)	0.587 (0.023)	FULL	☒
M83528/013C006	816-0831	0.125 (0.005)	0.155 (0.006)	0.885 (0.035)	FULL	☒
M83528/013C008	816-0810	0.065 (0.003)	0.099 (0.004)	1.122 (0.044)	0.049 (0.002)	☒
M83528/013C011	816-0825	0.088 (0.003)	0.095 (0.004)	1.34 (0.053)	FULL	☒
M83528/013C012	816-0821	0.077 (0.003)	0.115 (0.005)	1.31 (0.052)	FULL	☒
M83528/013C014	816-0824	0.085 (0.003)	0.095 (0.004)	1.392 (0.055)	FULL	☒
M83528/013C017	816-0822	0.078 (0.003)	0.105 (0.004)	1.55 (0.061)	FULL	☒
M83528/013C036	816-0834	0.188 (0.007)	0.24 (0.009)	3.91 (0.154)	FULL	☒

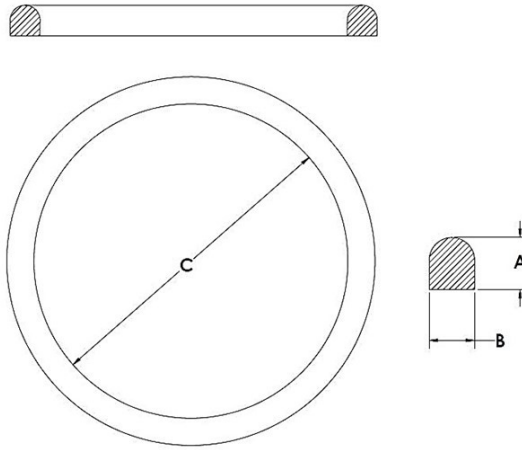
### Material 815D – D Rings

[Material 815D Data Sheet](#)

MIL SPEC No.	NJB Part No.	Dimension A (mm)	Dimension B (mm)	Dimension C I.D. (mm)	Radius (mm)	RFQ or Information
M83528/013D002	815-0803	0.056 (0.002)	0.082 (0.003)	0.41 (0.016)	0.041 (0.002)	☒
M83528/013D004	815-0801	0.048 (0.002)	0.078 (0.003)	0.587 (0.023)	FULL	☒
M83528/013D006	815-0831	0.125 (0.005)	0.155 (0.006)	0.885 (0.035)	FULL	☒
M83528/013D008	815-0810	0.065 (0.003)	0.099 (0.004)	1.122 (0.044)	0.049 (0.002)	☒
M83528/013D011	815-0825	0.088 (0.003)	0.095 (0.004)	1.34 (0.053)	FULL	☒
M83528/013D012	815-0821	0.077 (0.003)	0.115 (0.005)	1.31 (0.052)	FULL	☒
M83528/013D014	815-0824	0.085 (0.003)	0.095 (0.004)	1.392 (0.055)	FULL	☒
M83528/013D017	815-0822	0.078 (0.003)	0.105 (0.004)	1.55 (0.061)	FULL	☒
M83528/013D036	815-0834	0.188 (0.007)	0.24 (0.009)	3.91 (0.154)	FULL	☒

### GO TO D-RINGS MATERIAL

- [806A Silver Copper Silicone, 65 Duro](#)
- [805B Silver Aluminum Silicone](#)
- [816C Silver Copper Fluorosilicone](#)
- [815D Silver Aluminum Fluorosilicone](#)
- [808E Pure Silver Silicone, 65 Duro](#)
- [818F Pure Silver Fluorosilicone](#)
- [808H Pure Silver Silicone, 80 Duro](#)
- [806K Silver Copper Silicone, 85 Duro](#)
- [804L Silver Nickel Silicone](#)
- [803M Silver Glass Silicone](#)
- [801 Carbon Silicone](#)
- [802 Nickel Graphite Silicone](#)
- [812 Nickel Graphite Fluorosilicone](#)



- O-RINGS
  - D-RINGS
  - FLAT WASHERS
  - WAVE GUIDES
- Die Cut Sq. Rectangular  
Die Cut Circular  
Molded Rec. O X-Section  
Molded Rec. D X-Section

### Material 808E – D Rings

[Material 808E Data Sheet](#)

MIL SPEC No.	NJB Part No.	Dimension A (mm)	Dimension B (mm)	Dimension C I.D. (mm)	Radius (mm)	RFQ or Information
M83528/013E002	808E-0803	0.056 (0.002)	0.082 (0.003)	0.41 (0.016)	0.041 (0.002)	<input type="checkbox"/>
M83528/013E004	808E-0801	0.048 (0.002)	0.078 (0.003)	0.587 (0.023)	FULL	<input type="checkbox"/>
M83528/013E006	808E-0831	0.125 (0.005)	0.155 (0.006)	0.885 (0.035)	FULL	<input type="checkbox"/>
M83528/013E008	808E-0810	0.065 (0.003)	0.099 (0.004)	1.122 (0.044)	0.049 (0.002)	<input type="checkbox"/>
M83528/013E011	808E-0825	0.088 (0.003)	0.095 (0.004)	1.34 (0.053)	FULL	<input type="checkbox"/>
M83528/013E012	808E-0821	0.077 (0.003)	0.115 (0.005)	1.31 (0.052)	FULL	<input type="checkbox"/>
M83528/013E014	808E-0824	0.085 (0.003)	0.095 (0.004)	1.392 (0.055)	FULL	<input type="checkbox"/>
M83528/013E017	808E-0822	0.078 (0.003)	0.105 (0.004)	1.55 (0.061)	FULL	<input type="checkbox"/>
M83528/013E036	808E-0834	0.188 (0.007)	0.24 (0.009)	3.91 (0.154)	FULL	<input type="checkbox"/>

### Material 818F – D Rings

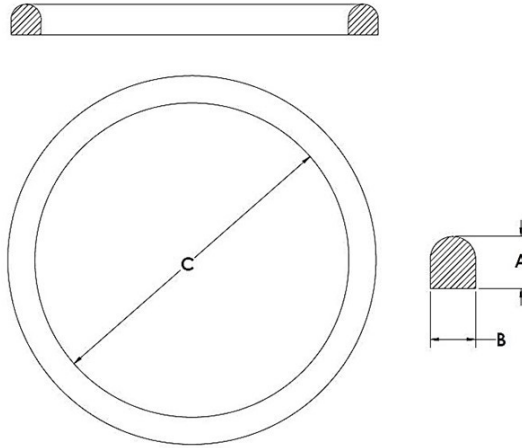
[Material 818F Data Sheet](#)

MIL SPEC No.	NJB Part No.	Dimension A (mm)	Dimension B (mm)	Dimension C I.D. (mm)	Radius (mm)	RFQ or Information
M83528/013F002	818-0803	0.056 (0.002)	0.082 (0.003)	0.41 (0.016)	0.041 (0.002)	<input type="checkbox"/>
M83528/013F004	818-0801	0.048 (0.002)	0.078 (0.003)	0.587 (0.023)	FULL	<input type="checkbox"/>
M83528/013F006	818-0831	0.125 (0.005)	0.155 (0.006)	0.885 (0.035)	FULL	<input type="checkbox"/>
M83528/013F008	818-0810	0.065 (0.003)	0.099 (0.004)	1.122 (0.044)	0.049 (0.002)	<input type="checkbox"/>
M83528/013F011	818-0825	0.088 (0.003)	0.095 (0.004)	1.34 (0.053)	FULL	<input type="checkbox"/>
M83528/013F012	818-0821	0.077 (0.003)	0.115 (0.005)	1.31 (0.052)	FULL	<input type="checkbox"/>
M83528/013F014	818-0824	0.085 (0.003)	0.095 (0.004)	1.392 (0.055)	FULL	<input type="checkbox"/>
M83528/013F017	818-0822	0.078 (0.003)	0.105 (0.004)	1.55 (0.061)	FULL	<input type="checkbox"/>
M83528/013F036	818-0834	0.188 (0.007)	0.24 (0.009)	3.91 (0.154)	FULL	<input type="checkbox"/>



**GO TO D-RINGS MATERIAL**

- [806A Silver Copper Silicone, 65 Duro](#)
- [805B Silver Aluminum Silicone](#)
- [816C Silver Copper Fluorosilicone](#)
- [815D Silver Aluminum Fluorosilicone](#)
- [808E Pure Silver Silicone, 65 Duro](#)
- [818F Pure Silver Fluorosilicone](#)
- [808H Pure Silver Silicone, 80 Duro](#)
- [806K Silver Copper Silicone, 85 Duro](#)
- [804L Silver Nickel Silicone](#)
- [803M Silver Glass Silicone](#)
- [801 Carbon Silicone](#)
- [802 Nickel Graphite Silicone](#)
- [812 Nickel Graphite Fluorosilicone](#)



- O-RINGS
  - D-RINGS
  - WASHERS
  - WAVE GUIDES
- Die Cut Sq. Rectangular  
 Die Cut Circular  
 Molded Rec. O X-Section  
 Molded Rec. D X-Section

**Material 808H – D Rings**

[Material 808H Data Sheet](#)

MIL SPEC No.	NJB Part No.	Dimension A (mm)	Dimension B (mm)	Dimension C I.D. (mm)	Radius (mm)	RFQ or Information
M83528/013H002	808H-0803	0.056 (0.002)	0.082 (0.003)	0.41 (0.016)	0.041 (0.002)	✉
M83528/013H004	808H-0801	0.048 (0.002)	0.078 (0.003)	0.587 (0.023)	FULL	✉
M83528/013H006	808H-0831	0.125 (0.005)	0.155 (0.006)	0.885 (0.035)	FULL	✉
M83528/013H008	808H-0810	0.065 (0.003)	0.099 (0.004)	1.122 (0.044)	0.049 (0.002)	✉
M83528/013H011	808H-0825	0.088 (0.003)	0.095 (0.004)	1.34 (0.053)	FULL	✉
M83528/013H012	808H-0821	0.077 (0.003)	0.115 (0.005)	1.31 (0.052)	FULL	✉
M83528/013H014	808H-0824	0.085 (0.003)	0.095 (0.004)	1.392 (0.055)	FULL	✉
M83528/013H017	808H-0822	0.078 (0.003)	0.105 (0.004)	1.55 (0.061)	FULL	✉
M83528/013H036	808H-0834	0.188 (0.007)	0.24 (0.009)	3.91 (0.154)	FULL	✉

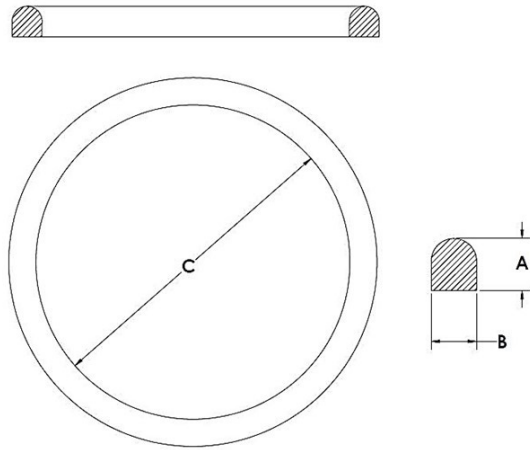
**Material 806K – D Rings**

[Material 806K Data Sheet](#)

MIL SPEC No.	NJB Part No.	Dimension A (mm)	Dimension B (mm)	Dimension C I.D. (mm)	Radius (mm)	RFQ or Information
M83528/013K002	806K-0803	0.056 (0.002)	0.082 (0.003)	0.41 (0.016)	0.041 (0.002)	✉
M83528/013K004	806K-0801	0.048 (0.002)	0.078 (0.003)	0.587 (0.023)	FULL	✉
M83528/013K006	806K-0831	0.125 (0.005)	0.155 (0.006)	0.885 (0.035)	FULL	✉
M83528/013K008	806K-0810	0.065 (0.003)	0.099 (0.004)	1.122 (0.044)	0.049 (0.002)	✉
M83528/013K011	806K-0825	0.088 (0.003)	0.095 (0.004)	1.34 (0.053)	FULL	✉
M83528/013K012	806K-0821	0.077 (0.003)	0.115 (0.005)	1.31 (0.052)	FULL	✉
M83528/013K014	806K-0824	0.085 (0.003)	0.095 (0.004)	1.392 (0.055)	FULL	✉
M83528/013K017	806K-0822	0.078 (0.003)	0.105 (0.004)	1.55 (0.061)	FULL	✉
M83528/013K036	806K-0834	0.188 (0.007)	0.24 (0.009)	3.91 (0.154)	FULL	✉

### GO TO D-RINGS MATERIAL

- [806A Silver Copper Silicone, 65 Duro](#)
- [805B Silver Aluminum Silicone](#)
- [816C Silver Copper Fluorosilicone](#)
- [815D Silver Aluminum Fluorosilicone](#)
- [808E Pure Silver Silicone, 65 Duro](#)
- [818F Pure Silver Fluorosilicone](#)
- [808H Pure Silver Silicone, 80 Duro](#)
- [806K Silver Copper Silicone, 85 Duro](#)
- [804L Silver Nickel Silicone](#)**
- [803M Silver Glass Silicone](#)**
- [801 Carbon Silicone](#)
- [802 Nickel Graphite Silicone](#)
- [812 Nickel Graphite Fluorosilicone](#)



- O-RINGS
- D-RINGS
- FLAT WASHERS
- WAVE GUIDES
  - Die Cut Sq. Rectangular
  - Die Cut Circular
  - Molded Rec. O X-Section
  - Molded Rec. D X-Section

### Material 804L – D Rings

[Material 804L Data Sheet](#)

MIL SPEC No.	NJB Part No.	Dimension A (mm)	Dimension B (mm)	Dimension C I.D. (mm)	Radius (mm)	RFQ or Information
M83528/013L002	804-0803	0.056 (0.002)	0.082 (0.003)	0.41 (0.016)	0.041 (0.002)	
M83528/013L004	804-0801	0.048 (0.002)	0.078 (0.003)	0.587 (0.023)	FULL	
M83528/013L006	804-0831	0.125 (0.005)	0.155 (0.006)	0.885 (0.035)	FULL	
M83528/013L008	804-0810	0.065 (0.003)	0.099 (0.004)	1.122 (0.044)	0.049 (0.002)	
M83528/013L011	804-0825	0.088 (0.003)	0.095 (0.004)	1.34 (0.053)	FULL	
M83528/013L012	804-0821	0.077 (0.003)	0.115 (0.005)	1.31 (0.052)	FULL	
M83528/013L014	804-0824	0.085 (0.003)	0.095 (0.004)	1.392 (0.055)	FULL	
M83528/013L017	804-0822	0.078 (0.003)	0.105 (0.004)	1.55 (0.061)	FULL	
M83528/013L036	804-0834	0.188 (0.007)	0.24 (0.009)	3.91 (0.154)	FULL	

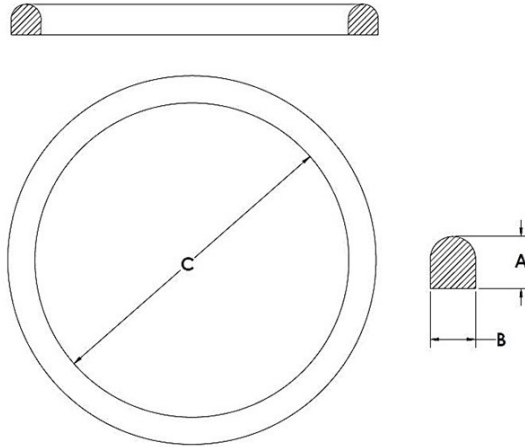
### Material 803M – D Rings

[Material 803M Data Sheet](#)

MIL SPEC No.	NJB Part No.	Dimension A (mm)	Dimension B (mm)	Dimension C I.D. (mm)	Radius (mm)	RFQ or Information
M83528/013M002	803-0803	0.056 (0.002)	0.082 (0.003)	0.41 (0.016)	0.041 (0.002)	
M83528/013M004	803-0801	0.048 (0.002)	0.078 (0.003)	0.587 (0.023)	FULL	
M83528/013M006	803-0831	0.125 (0.005)	0.155 (0.006)	0.885 (0.035)	FULL	
M83528/013M008	803-0810	0.065 (0.003)	0.099 (0.004)	1.122 (0.044)	0.049 (0.002)	
M83528/013M011	803-0825	0.088 (0.003)	0.095 (0.004)	1.34 (0.053)	FULL	
M83528/013M012	803-0821	0.077 (0.003)	0.115 (0.005)	1.31 (0.052)	FULL	
M83528/013M014	803-0824	0.085 (0.003)	0.095 (0.004)	1.392 (0.055)	FULL	
M83528/013M017	803-0822	0.078 (0.003)	0.105 (0.004)	1.55 (0.061)	FULL	
M83528/013M036	803-0834	0.188 (0.007)	0.24 (0.009)	3.91 (0.154)	FULL	

### GO TO D-RINGS MATERIAL

- [806A Silver Copper Silicone, 65 Duro](#)
- [805B Silver Aluminum Silicone](#)
- [816C Silver Copper Fluorosilicone](#)
- [815D Silver Aluminum Fluorosilicone](#)
- [808E Pure Silver Silicone, 65 Duro](#)
- [818F Pure Silver Fluorosilicone](#)
- [808H Pure Silver Silicone, 80 Duro](#)
- [806K Silver Copper Silicone, 85 Duro](#)
- [804L Silver Nickel Silicone](#)
- [803M Silver Glass Silicone](#)
- 801 Carbon Silicone**
- 802 Nickel Graphite Silicone**
- [812 Nickel Graphite Fluorosilicone](#)



- O-RINGS
- D-RINGS
- WASHERS
- WAVE GUIDES
  - Die Cut Sq. Rectangular
  - Die Cut Circular
  - Molded Rec. O X-Section
  - Molded Rec. D X-Section

### Material 801 – D Rings

[Material 801 Data Sheet](#)

MIL SPEC No.	NJB Part No.	Dimension A (mm)	Dimension B (mm)	Dimension C I.D. (mm)	Radius (mm)	RFQ or Information
N/A	801-0803	0.056 (0.002)	0.082 (0.003)	0.41 (0.016)	0.041 (0.002)	
N/A	801-0801	0.048 (0.002)	0.078 (0.003)	0.587 (0.023)	FULL	
N/A	801-0831	0.125 (0.005)	0.155 (0.006)	0.885 (0.035)	FULL	
N/A	801-0810	0.065 (0.003)	0.099 (0.004)	1.122 (0.044)	0.049 (0.002)	
N/A	801-0825	0.088 (0.003)	0.095 (0.004)	1.34 (0.053)	FULL	
N/A	801-0821	0.077 (0.003)	0.115 (0.005)	1.31 (0.052)	FULL	
N/A	801-0824	0.085 (0.003)	0.095 (0.004)	1.392 (0.055)	FULL	
N/A	801-0822	0.078 (0.003)	0.105 (0.004)	1.55 (0.061)	FULL	
N/A	801-0834	0.188 (0.007)	0.24 (0.009)	3.91 (0.154)	FULL	

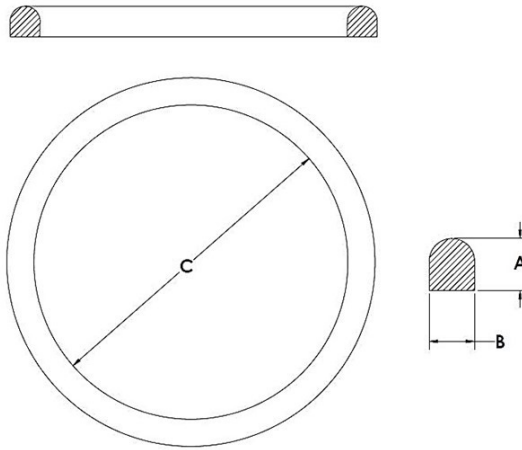
### Material 802 – D Rings

[Material 802 Data Sheet](#)

MIL SPEC No.	NJB Part No.	Dimension A (mm)	Dimension B (mm)	Dimension C I.D. (mm)	Radius (mm)	RFQ or Information
N/A	802-0803	0.056 (0.002)	0.082 (0.003)	0.41 (0.016)	0.041 (0.002)	
N/A	802-0801	0.048 (0.002)	0.078 (0.003)	0.587 (0.023)	FULL	
N/A	802-0831	0.125 (0.005)	0.155 (0.006)	0.885 (0.035)	FULL	
N/A	802-0810	0.065 (0.003)	0.099 (0.004)	1.122 (0.044)	0.049 (0.002)	
N/A	802-0825	0.088 (0.003)	0.095 (0.004)	1.34 (0.053)	FULL	
N/A	802-0821	0.077 (0.003)	0.115 (0.005)	1.31 (0.052)	FULL	
N/A	802-0824	0.085 (0.003)	0.095 (0.004)	1.392 (0.055)	FULL	
N/A	802-0822	0.078 (0.003)	0.105 (0.004)	1.55 (0.061)	FULL	
N/A	802-0834	0.188 (0.007)	0.24 (0.009)	3.91 (0.154)	FULL	

### GO TO D-RINGS MATERIAL

- [806A Silver Copper Silicone, 65 Duro](#)
- [805B Silver Aluminum Silicone](#)
- [816C Silver Copper Fluorosilicone](#)
- [815D Silver Aluminum Fluorosilicone](#)
- [808E Pure Silver Silicone, 65 Duro](#)
- [818F Pure Silver Fluorosilicone](#)
- [808H Pure Silver Silicone, 80 Duro](#)
- [806K Silver Copper Silicone, 85 Duro](#)
- [804L Silver Nickel Silicone](#)
- [803M Silver Glass Silicone](#)
- [801 Carbon Silicone](#)
- [802 Nickel Graphite Silicone](#)
- [812 Nickel Graphite Fluorosilicone](#)



- O-RINGS
- D-RINGS
- FLAT WASHERS
- WAVE GUIDES
- Die Cut Sq. Rectangular
- Die Cut Circular
- Molded Rec. O X-Section
- Molded Rec. D X-Section

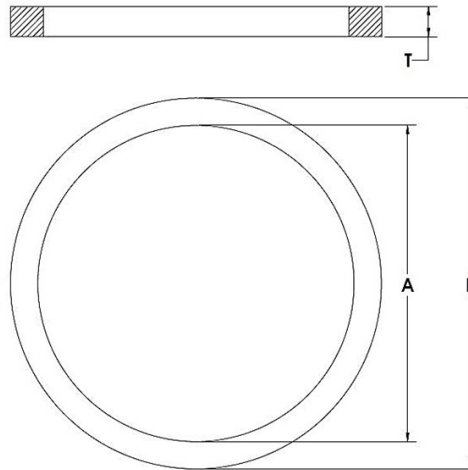
### Material 812 – D Rings

### Material 812 Data Sheet

MIL SPEC No.	NJB Part No.	Dimension A (mm)	Dimension B (mm)	Dimension C I.D. (mm)	Radius (mm)	RFQ or Information
N/A	812-0803	0.056 (0.002)	0.082 (0.003)	0.41 (0.016)	0.041 (0.002)	☒
N/A	812-0801	0.048 (0.002)	0.078 (0.003)	0.587 (0.023)	FULL	☒
N/A	812-0831	0.125 (0.005)	0.155 (0.006)	0.885 (0.035)	FULL	☒
N/A	812-0810	0.065 (0.003)	0.099 (0.004)	1.122 (0.044)	0.049 (0.002)	☒
N/A	812-0825	0.088 (0.003)	0.095 (0.004)	1.34 (0.053)	FULL	☒
N/A	812-0821	0.077 (0.003)	0.115 (0.005)	1.31 (0.052)	FULL	☒
N/A	812-0824	0.085 (0.003)	0.095 (0.004)	1.392 (0.055)	FULL	☒
N/A	812-0822	0.078 (0.003)	0.105 (0.004)	1.55 (0.061)	FULL	☒
N/A	812-0834	0.188 (0.007)	0.24 (0.009)	3.91 (0.154)	FULL	☒

**GO TO FLAT WASHERS MATERIAL**

- [806A Silver Copper Silicone, 65 Duro](#)
- [805B Silver Aluminum Silicone](#)
- [816C Silver Copper Fluorosilicone](#)
- [815D Silver Aluminum Fluorosilicone](#)
- [808E Pure Silver Silicone, 65 Duro](#)
- [818F Pure Silver Fluorosilicone](#)
- [808H Pure Silver Silicone, 80 Duro](#)
- [806K Silver Copper Silicone, 85 Duro](#)
- [804L Silver Nickel Silicone](#)
- [803M Silver Glass Silicone](#)
- [801 Carbon Silicone](#)
- [802 Nickel Graphite Silicone](#)
- [812 Nickel Graphite Fluorosilicone](#)



- O-RINGS
- D-RINGS
- WASHERS
- WAVE GUIDES
  - Die Cut Sq. Rectangular
  - Die Cut Circular
  - Molded Rec. O X-Section
  - Molded Rec. D X-Section

**Material 806A – D Rings**

[Material 806A Data Sheet](#)

MIL SPEC No.	NJB Part No.	Dimension A (mm)	Dimension B (mm)	Dimension T (mm)	RFQ or Information
M83528/012A001	806A-0840	0.250 (6.35)	0.625 (15.86)	0.031 (0.79)	<input type="checkbox"/>
M83528/012A002	806A-0841	0.250 (6.35)	0.625 (15.86)	0.062 (1.57)	<input type="checkbox"/>
M83528/012A003	806A-0844	0.375 (9.53)	0.750 (19.05)	0.031 (0.79)	<input type="checkbox"/>
M83528/012A004	806A-0845	0.375 (9.53)	0.750 (19.05)	0.062 (1.57)	<input type="checkbox"/>
M83528/012A005	806A-0849	0.500 (12.70)	0.656 (16.66)	0.031 (0.79)	<input type="checkbox"/>
M83528/012A006	806A-0850	0.500 (12.70)	0.656 (16.66)	0.062 (1.57)	<input type="checkbox"/>
M83528/012A007	806A-0851	0.500 (12.70)	0.875 (22.23)	0.031 (0.79)	<input type="checkbox"/>
M83528/012A009	806A-0857	0.750 (19.50)	1.000 (25.40)	0.031 (0.79)	<input type="checkbox"/>
M83528/012A010	806A-0858	0.750 (19.50)	1.000 (25.40)	0.062 (1.57)	<input type="checkbox"/>
M83528/012A011	806A-0864	1.000 (25.40)	1.438 (36.53)	0.031 (0.79)	<input type="checkbox"/>
M83528/012A012	806A-0865	1.000 (25.40)	1.438 (36.53)	0.062 (1.57)	<input type="checkbox"/>

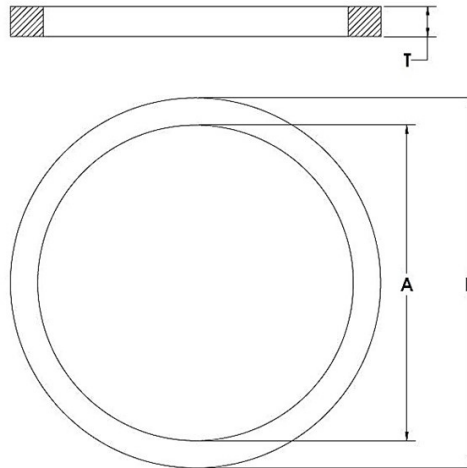
**Material 805B – D Rings**

[Material 805B Data Sheet](#)

MIL SPEC No.	NJB Part No.	Dimension A (mm)	Dimension B (mm)	Dimension T (mm)	RFQ or Information
M83528/012B001	805-0840	0.250 (6.35)	0.625 (15.86)	0.031 (0.79)	<input type="checkbox"/>
M83528/012B002	805-0841	0.250 (6.35)	0.625 (15.86)	0.062 (1.57)	<input type="checkbox"/>
M83528/012B003	805-0844	0.375 (9.53)	0.750 (19.05)	0.031 (0.79)	<input type="checkbox"/>
M83528/012B004	805-0845	0.375 (9.53)	0.750 (19.05)	0.062 (1.57)	<input type="checkbox"/>
M83528/012B005	805-0849	0.500 (12.70)	0.656 (16.66)	0.031 (0.79)	<input type="checkbox"/>
M83528/012B006	805-0850	0.500 (12.70)	0.656 (16.66)	0.062 (1.57)	<input type="checkbox"/>
M83528/012B007	805-0851	0.500 (12.70)	0.875 (22.23)	0.031 (0.79)	<input type="checkbox"/>
M83528/012B009	805-0857	0.750 (19.50)	1.000 (25.40)	0.031 (0.79)	<input type="checkbox"/>
M83528/012B010	805-0858	0.750 (19.50)	1.000 (25.40)	0.062 (1.57)	<input type="checkbox"/>
M83528/012B011	805-0864	1.000 (25.40)	1.438 (36.53)	0.031 (0.79)	<input type="checkbox"/>
M83528/012B012	805-0865	1.000 (25.40)	1.438 (36.53)	0.062 (1.57)	<input type="checkbox"/>

**GO TO FLAT WASHERS MATERIAL**

- [806A Silver Copper Silicone, 65 Duro](#)
- [805B Silver Aluminum Silicone](#)
- [816C Silver Copper Fluorosilicone](#)**
- [815D Silver Aluminum Fluorosilicone](#)
- [808E Pure Silver Silicone, 65 Duro](#)
- [818F Pure Silver Fluorosilicone](#)
- [808H Pure Silver Silicone, 80 Duro](#)
- [806K Silver Copper Silicone, 85 Duro](#)
- [804L Silver Nickel Silicone](#)
- [803M Silver Glass Silicone](#)
- [801 Carbon Silicone](#)
- [802 Nickel Graphite Silicone](#)
- [812 Nickel Graphite Fluorosilicone](#)



- O-RINGS
  - D-RINGS
  - FLAT WASHERS
  - WAVE GUIDES
- Die Cut Sq. Rectangular  
Die Cut Circular  
Molded Rec. O X-Section  
Molded Rec. D X-Section

**Material 816C – D Rings**

[Material 816C Data Sheet](#)

MIL SPEC No.	NJB Part No.	Dimension A (mm)	Dimension B (mm)	Dimension T (mm)	RFQ or Information
M83528/012C001	816-0840	0.250 (6.35)	0.625 (15.86)	0.031 (0.79)	
M83528/012C002	816-0841	0.250 (6.35)	0.625 (15.86)	0.062 (1.57)	
M83528/012C003	816-0844	0.375 (9.53)	0.750 (19.05)	0.031 (0.79)	
M83528/012C004	816-0845	0.375 (9.53)	0.750 (19.05)	0.062 (1.57)	
M83528/012C005	816-0849	0.500 (12.70)	0.656 (16.66)	0.031 (0.79)	
M83528/012C006	816-0850	0.500 (12.70)	0.656 (16.66)	0.062 (1.57)	
M83528/012C007	816-0851	0.500 (12.70)	0.875 (22.23)	0.031 (0.79)	
M83528/012C009	816-0857	0.750 (19.50)	1.000 (25.40)	0.031 (0.79)	
M83528/012C010	816-0858	0.750 (19.50)	1.000 (25.40)	0.062 (1.57)	
M83528/012C011	816-0864	1.000 (25.40)	1.438 (36.53)	0.031 (0.79)	
M83528/012C012	816-0865	1.000 (25.40)	1.438 (36.53)	0.062 (1.57)	

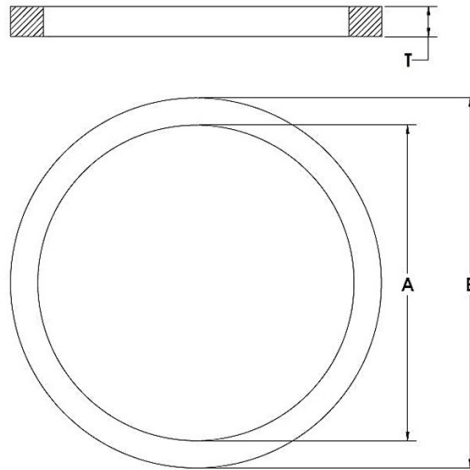
**Material 815D – D Rings**

[Material 815D Data Sheet](#)

MIL SPEC No.	NJB Part No.	Dimension A (mm)	Dimension B (mm)	Dimension T (mm)	RFQ or Information
M83528/012D001	815-0840	0.250 (6.35)	0.625 (15.86)	0.031 (0.79)	
M83528/012D002	815-0841	0.250 (6.35)	0.625 (15.86)	0.062 (1.57)	
M83528/012D003	815-0844	0.375 (9.53)	0.750 (19.05)	0.031 (0.79)	
M83528/012D004	815-0845	0.375 (9.53)	0.750 (19.05)	0.062 (1.57)	
M83528/012D005	815-0849	0.500 (12.70)	0.656 (16.66)	0.031 (0.79)	
M83528/012D006	815-0850	0.500 (12.70)	0.656 (16.66)	0.062 (1.57)	
M83528/012D007	815-0851	0.500 (12.70)	0.875 (22.23)	0.031 (0.79)	
M83528/012D009	815-0857	0.750 (19.50)	1.000 (25.40)	0.031 (0.79)	
M83528/012D010	815-0858	0.750 (19.50)	1.000 (25.40)	0.062 (1.57)	
M83528/012D011	815-0864	1.000 (25.40)	1.438 (36.53)	0.031 (0.79)	
M83528/012D012	815-0865	1.000 (25.40)	1.438 (36.53)	0.062 (1.57)	

**GO TO FLAT WASHERS MATERIAL**

- [806A Silver Copper Silicone, 65 Duro](#)
- [805B Silver Aluminum Silicone](#)
- [816C Silver Copper Fluorosilicone](#)
- [815D Silver Aluminum Fluorosilicone](#)
- [808E Pure Silver Silicone, 65 Duro](#)
- [818F Pure Silver Fluorosilicone](#)
- [808H Pure Silver Silicone, 80 Duro](#)
- [806K Silver Copper Silicone, 85 Duro](#)
- [804L Silver Nickel Silicone](#)
- [803M Silver Glass Silicone](#)
- [801 Carbon Silicone](#)
- [802 Nickel Graphite Silicone](#)
- [812 Nickel Graphite Fluorosilicone](#)



- O-RINGS
- D-RINGS
- WASHERS
- WAVE GUIDES
  - Die Cut Sq. Rectangular
  - Die Cut Circular
  - Molded Rec. O X-Section
  - Molded Rec. D X-Section

**Material 808E – D Rings**

[Material 808E Data Sheet](#)

MIL SPEC No.	NJB Part No.	Dimension A (mm)	Dimension B (mm)	Dimension T (mm)	RFQ or Information
M83528/012E001	808E-0840	0.250 (6.35)	0.625 (15.86)	0.031 (0.79)	<input type="checkbox"/>
M83528/012E002	808E-0841	0.250 (6.35)	0.625 (15.86)	0.062 (1.57)	<input type="checkbox"/>
M83528/012E003	808E-0844	0.375 (9.53)	0.750 (19.05)	0.031 (0.79)	<input type="checkbox"/>
M83528/012E004	808E-0845	0.375 (9.53)	0.750 (19.05)	0.062 (1.57)	<input type="checkbox"/>
M83528/012E005	808E-0849	0.500 (12.70)	0.656 (16.66)	0.031 (0.79)	<input type="checkbox"/>
M83528/012E006	808E-0850	0.500 (12.70)	0.656 (16.66)	0.062 (1.57)	<input type="checkbox"/>
M83528/012E007	808E-0851	0.500 (12.70)	0.875 (22.23)	0.031 (0.79)	<input type="checkbox"/>
M83528/012E009	808E-0857	0.750 (19.50)	1.000 (25.40)	0.031 (0.79)	<input type="checkbox"/>
M83528/012E010	808E-0858	0.750 (19.50)	1.000 (25.40)	0.062 (1.57)	<input type="checkbox"/>
M83528/012E011	808E-0864	1.000 (25.40)	1.438 (36.53)	0.031 (0.79)	<input type="checkbox"/>
M83528/012E012	808E-0865	1.000 (25.40)	1.438 (36.53)	0.062 (1.57)	<input type="checkbox"/>

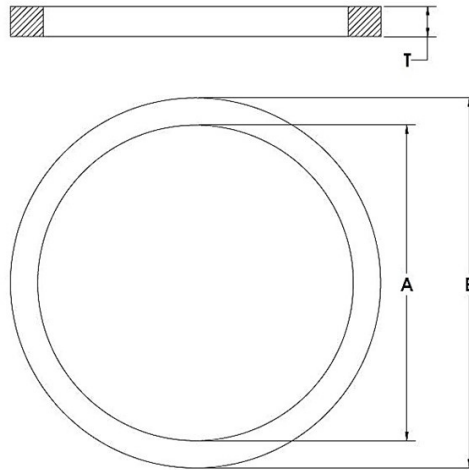
**Material 818F – D Rings**

[Material 818F Data Sheet](#)

MIL SPEC No.	NJB Part No.	Dimension A (mm)	Dimension B (mm)	Dimension T (mm)	RFQ or Information
M83528/012F001	818-0840	0.250 (6.35)	0.625 (15.86)	0.031 (0.79)	<input type="checkbox"/>
M83528/012F002	818-0841	0.250 (6.35)	0.625 (15.86)	0.062 (1.57)	<input type="checkbox"/>
M83528/012F003	818-0844	0.375 (9.53)	0.750 (19.05)	0.031 (0.79)	<input type="checkbox"/>
M83528/012F004	818-0845	0.375 (9.53)	0.750 (19.05)	0.062 (1.57)	<input type="checkbox"/>
M83528/012F005	818-0849	0.500 (12.70)	0.656 (16.66)	0.031 (0.79)	<input type="checkbox"/>
M83528/012F006	818-0850	0.500 (12.70)	0.656 (16.66)	0.062 (1.57)	<input type="checkbox"/>
M83528/012F007	818-0851	0.500 (12.70)	0.875 (22.23)	0.031 (0.79)	<input type="checkbox"/>
M83528/012F009	818-0857	0.750 (19.50)	1.000 (25.40)	0.031 (0.79)	<input type="checkbox"/>
M83528/012F010	818-0858	0.750 (19.50)	1.000 (25.40)	0.062 (1.57)	<input type="checkbox"/>
M83528/012F011	818-0864	1.000 (25.40)	1.438 (36.53)	0.031 (0.79)	<input type="checkbox"/>
M83528/012F012	818-0865	1.000 (25.40)	1.438 (36.53)	0.062 (1.57)	<input type="checkbox"/>

**GO TO FLAT WASHERS MATERIAL**

- [806A Silver Copper Silicone, 65 Duro](#)
- [805B Silver Aluminum Silicone](#)
- [816C Silver Copper Fluorosilicone](#)
- [815D Silver Aluminum Fluorosilicone](#)
- [808E Pure Silver Silicone, 65 Duro](#)
- [818F Pure Silver Fluorosilicone](#)
- [808H Pure Silver Silicone, 80 Duro](#)
- [806K Silver Copper Silicone, 85 Duro](#)
- [804L Silver Nickel Silicone](#)
- [803M Silver Glass Silicone](#)
- [801 Carbon Silicone](#)
- [802 Nickel Graphite Silicone](#)
- [812 Nickel Graphite Fluorosilicone](#)



- O-RINGS
  - D-RINGS
  - FLAT WASHERS
  - WAVE GUIDES
- Die Cut Sq. Rectangular  
Die Cut Circular  
Molded Rec. O X-Section  
Molded Rec. D X-Section

**Material 808H – D Rings**

[Material 808H Data Sheet](#)

MIL SPEC No.	NJB Part No.	Dimension A (mm)	Dimension B (mm)	Dimension T (mm)	RFQ or Information
M83528/012H001	808H-0840	0.250 (6.35)	0.625 (15.86)	0.031 (0.79)	✉
M83528/012H002	808H-0841	0.250 (6.35)	0.625 (15.86)	0.062 (1.57)	✉
M83528/012H003	808H-0844	0.375 (9.53)	0.750 (19.05)	0.031 (0.79)	✉
M83528/012H004	808H-0845	0.375 (9.53)	0.750 (19.05)	0.062 (1.57)	✉
M83528/012H005	808H-0849	0.500 (12.70)	0.656 (16.66)	0.031 (0.79)	✉
M83528/012H006	808H-0850	0.500 (12.70)	0.656 (16.66)	0.062 (1.57)	✉
M83528/012H007	808H-0851	0.500 (12.70)	0.875 (22.23)	0.031 (0.79)	✉
M83528/012H009	808H-0857	0.750 (19.50)	1.000 (25.40)	0.031 (0.79)	✉
M83528/012H010	808H-0858	0.750 (19.50)	1.000 (25.40)	0.062 (1.57)	✉
M83528/012H011	808H-0864	1.000 (25.40)	1.438 (36.53)	0.031 (0.79)	✉
M83528/012H012	808H-0865	1.000 (25.40)	1.438 (36.53)	0.062 (1.57)	✉

**Material 806K – D Rings**

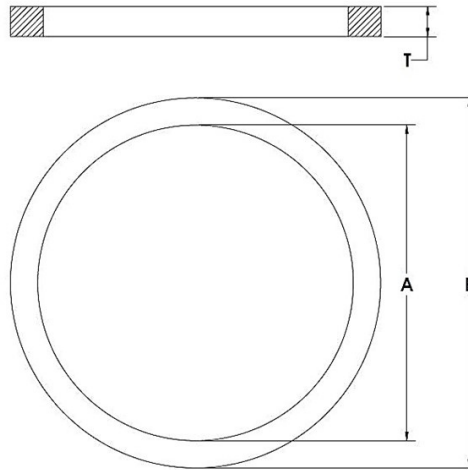
[Material 806K Data Sheet](#)

MIL SPEC No.	NJB Part No.	Dimension A (mm)	Dimension B (mm)	Dimension T (mm)	RFQ or Information
M83528/012K001	806K-0840	0.250 (6.35)	0.625 (15.86)	0.031 (0.79)	✉
M83528/012K002	806K-0841	0.250 (6.35)	0.625 (15.86)	0.062 (1.57)	✉
M83528/012K003	806K-0844	0.375 (9.53)	0.750 (19.05)	0.031 (0.79)	✉
M83528/012K004	806K-0845	0.375 (9.53)	0.750 (19.05)	0.062 (1.57)	✉
M83528/012K005	806K-0849	0.500 (12.70)	0.656 (16.66)	0.031 (0.79)	✉
M83528/012K006	806K-0850	0.500 (12.70)	0.656 (16.66)	0.062 (1.57)	✉
M83528/012K007	806K-0851	0.500 (12.70)	0.875 (22.23)	0.031 (0.79)	✉
M83528/012K009	806K-0857	0.750 (19.50)	1.000 (25.40)	0.031 (0.79)	✉
M83528/012K010	806K-0858	0.750 (19.50)	1.000 (25.40)	0.062 (1.57)	✉
M83528/012K011	806K-0864	1.000 (25.40)	1.438 (36.53)	0.031 (0.79)	✉
M83528/012K012	806K-0865	1.000 (25.40)	1.438 (36.53)	0.062 (1.57)	✉



### GO TO FLAT WASHERS MATERIAL

- [806A Silver Copper Silicone, 65 Duro](#)
- [805B Silver Aluminum Silicone](#)
- [816C Silver Copper Fluorosilicone](#)
- [815D Silver Aluminum Fluorosilicone](#)
- [808E Pure Silver Silicone, 65 Duro](#)
- [818F Pure Silver Fluorosilicone](#)
- [808H Pure Silver Silicone, 80 Duro](#)
- [806K Silver Copper Silicone, 85 Duro](#)
- [804L Silver Nickel Silicone](#)
- [803M Silver Glass Silicone](#)
- [801 Carbon Silicone](#)
- [802 Nickel Graphite Silicone](#)
- [812 Nickel Graphite Fluorosilicone](#)



O-RINGS

D-RINGS

WASHERS

WAVE GUIDES

Die Cut Sq. Rectangular  
Die Cut Circular  
Molded Rec. O X-Section  
Molded Rec. D X-Section

### Material 804L – D Rings

[Material 804L Data Sheet](#)

MIL SPEC No.	NJB Part No.	Dimension A (mm)	Dimension B (mm)	Dimension T (mm)	RFQ or Information
M83528/012L001	804-0840	0.250 (6.35)	0.625 (15.86)	0.031 (0.79)	
M83528/012L002	804-0841	0.250 (6.35)	0.625 (15.86)	0.062 (1.57)	
M83528/012L003	804-0844	0.375 (9.53)	0.750 (19.05)	0.031 (0.79)	
M83528/012L004	804-0845	0.375 (9.53)	0.750 (19.05)	0.062 (1.57)	
M83528/012L005	804-0849	0.500 (12.70)	0.656 (16.66)	0.031 (0.79)	
M83528/012L006	804-0850	0.500 (12.70)	0.656 (16.66)	0.062 (1.57)	
M83528/012L007	804-0851	0.500 (12.70)	0.875 (22.23)	0.031 (0.79)	
M83528/012L009	804-0857	0.750 (19.50)	1.000 (25.40)	0.031 (0.79)	
M83528/012L010	804-0858	0.750 (19.50)	1.000 (25.40)	0.062 (1.57)	
M83528/012L011	804-0864	1.000 (25.40)	1.438 (36.53)	0.031 (0.79)	
M83528/012L012	804-0865	1.000 (25.40)	1.438 (36.53)	0.062 (1.57)	

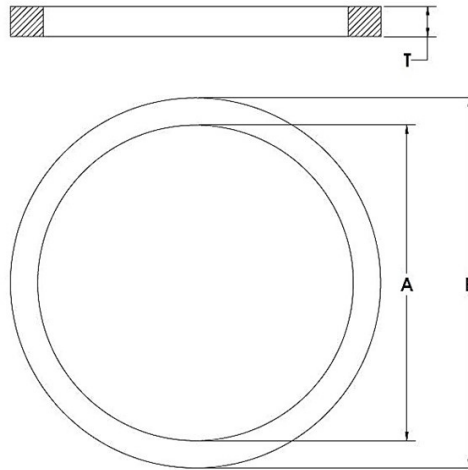
### Material 803M – D Rings

[Material 803M Data Sheet](#)

MIL SPEC No.	NJB Part No.	Dimension A (mm)	Dimension B (mm)	Dimension T (mm)	RFQ or Information
M83528/012M001	803-0840	0.250 (6.35)	0.625 (15.86)	0.031 (0.79)	
M83528/012M002	803-0841	0.250 (6.35)	0.625 (15.86)	0.062 (1.57)	
M83528/012M003	803-0844	0.375 (9.53)	0.750 (19.05)	0.031 (0.79)	
M83528/012M004	803-0845	0.375 (9.53)	0.750 (19.05)	0.062 (1.57)	
M83528/012M005	803-0849	0.500 (12.70)	0.656 (16.66)	0.031 (0.79)	
M83528/012M006	803-0850	0.500 (12.70)	0.656 (16.66)	0.062 (1.57)	
M83528/012M007	803-0851	0.500 (12.70)	0.875 (22.23)	0.031 (0.79)	
M83528/012M009	803-0857	0.750 (19.50)	1.000 (25.40)	0.031 (0.79)	
M83528/012M010	803-0858	0.750 (19.50)	1.000 (25.40)	0.062 (1.57)	
M83528/012M011	803-0864	1.000 (25.40)	1.438 (36.53)	0.031 (0.79)	
M83528/012M012	803-0865	1.000 (25.40)	1.438 (36.53)	0.062 (1.57)	

**GO TO FLAT WASHERS MATERIAL**

- [806A Silver Copper Silicone, 65 Duro](#)
- [805B Silver Aluminum Silicone](#)
- [816C Silver Copper Fluorosilicone](#)
- [815D Silver Aluminum Fluorosilicone](#)
- [808E Pure Silver Silicone, 65 Duro](#)
- [818F Pure Silver Fluorosilicone](#)
- [808H Pure Silver Silicone, 80 Duro](#)
- [806K Silver Copper Silicone, 85 Duro](#)
- [804L Silver Nickel Silicone](#)
- [803M Silver Glass Silicone](#)
- 801 Carbon Silicone**
- 802 Nickel Graphite Silicone**
- [812 Nickel Graphite Fluorosilicone](#)



- O-RINGS
- D-RINGS
- FLAT WASHERS**
- WAVE GUIDES
  - Die Cut Sq. Rectangular
  - Die Cut Circular
  - Molded Rec. O X-Section
  - Molded Rec. D X-Section

**Material 801 – D Rings**

[Material 801 Data Sheet](#)

MIL SPEC No.	NJB Part No.	Dimension A (mm)	Dimension B (mm)	Dimension T (mm)	RFQ or Information
N/A	801-0840	0.250 (6.35)	0.625 (15.86)	0.031 (0.79)	<input type="checkbox"/>
N/A	801-0841	0.250 (6.35)	0.625 (15.86)	0.062 (1.57)	<input type="checkbox"/>
N/A	801-0844	0.375 (9.53)	0.750 (19.05)	0.031 (0.79)	<input type="checkbox"/>
N/A	801-0845	0.375 (9.53)	0.750 (19.05)	0.062 (1.57)	<input type="checkbox"/>
N/A	801-0849	0.500 (12.70)	0.656 (16.66)	0.031 (0.79)	<input type="checkbox"/>
N/A	801-0850	0.500 (12.70)	0.656 (16.66)	0.062 (1.57)	<input type="checkbox"/>
N/A	801-0851	0.500 (12.70)	0.875 (22.23)	0.031 (0.79)	<input type="checkbox"/>
N/A	801-0857	0.750 (19.50)	1.000 (25.40)	0.031 (0.79)	<input type="checkbox"/>
N/A	801-0858	0.750 (19.50)	1.000 (25.40)	0.062 (1.57)	<input type="checkbox"/>
N/A	801-0864	1.000 (25.40)	1.438 (36.53)	0.031 (0.79)	<input type="checkbox"/>
N/A	801-0865	1.000 (25.40)	1.438 (36.53)	0.062 (1.57)	<input type="checkbox"/>

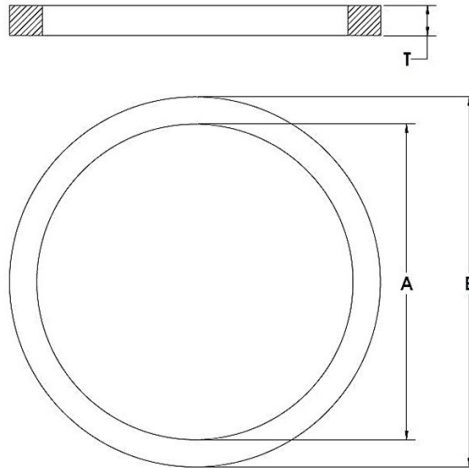
**Material 802 – D Rings**

[Material 802 Data Sheet](#)

MIL SPEC No.	NJB Part No.	Dimension A (mm)	Dimension B (mm)	Dimension T (mm)	RFQ or Information
N/A	802-0840	0.250 (6.35)	0.625 (15.86)	0.031 (0.79)	<input type="checkbox"/>
N/A	802-0841	0.250 (6.35)	0.625 (15.86)	0.062 (1.57)	<input type="checkbox"/>
N/A	802-0844	0.375 (9.53)	0.750 (19.05)	0.031 (0.79)	<input type="checkbox"/>
N/A	802-0845	0.375 (9.53)	0.750 (19.05)	0.062 (1.57)	<input type="checkbox"/>
N/A	802-0849	0.500 (12.70)	0.656 (16.66)	0.031 (0.79)	<input type="checkbox"/>
N/A	802-0850	0.500 (12.70)	0.656 (16.66)	0.062 (1.57)	<input type="checkbox"/>
N/A	802-0851	0.500 (12.70)	0.875 (22.23)	0.031 (0.79)	<input type="checkbox"/>
N/A	802-0857	0.750 (19.50)	1.000 (25.40)	0.031 (0.79)	<input type="checkbox"/>
N/A	802-0858	0.750 (19.50)	1.000 (25.40)	0.062 (1.57)	<input type="checkbox"/>
N/A	802-0864	1.000 (25.40)	1.438 (36.53)	0.031 (0.79)	<input type="checkbox"/>
N/A	802-0865	1.000 (25.40)	1.438 (36.53)	0.062 (1.57)	<input type="checkbox"/>

**GO TO FLAT WASHERS MATERIAL**

- [806A Silver Copper Silicone, 65 Duro](#)
- [805B Silver Aluminum Silicone](#)
- [816C Silver Copper Fluorosilicone](#)
- [815D Silver Aluminum Fluorosilicone](#)
- [808E Pure Silver Silicone, 65 Duro](#)
- [818F Pure Silver Fluorosilicone](#)
- [808H Pure Silver Silicone, 80 Duro](#)
- [806K Silver Copper Silicone, 85 Duro](#)
- [804L Silver Nickel Silicone](#)
- [803M Silver Glass Silicone](#)
- [801 Carbon Silicone](#)
- [802 Nickel Graphite Silicone](#)
- [812 Nickel Graphite Fluorosilicone](#)



- O-RINGS
  - D-RINGS
  - WASHERS
  - WAVE GUIDES
- Die Cut Sq. Rectangular  
 Die Cut Circular  
 Molded Rec. O X-Section  
 Molded Rec. D X-Section

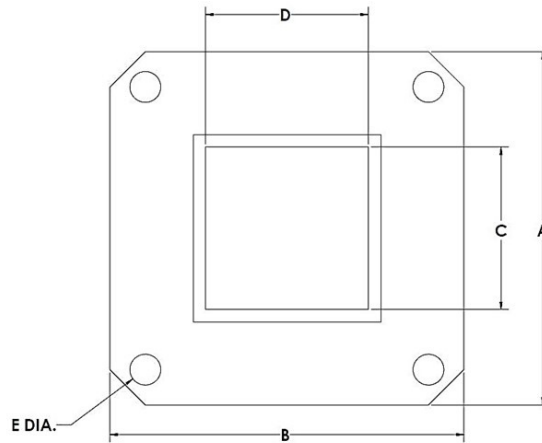
**Material 812 – D Rings**

**Material 812 Data Sheet**

MIL SPEC No.	NJB Part No.	Dimension A (mm)	Dimension B (mm)	Dimension T (mm)	RFQ or Information
N/A	812-0840	0.250 (6.35)	0.625 (15.86)	0.031 (0.79)	✉
N/A	812-0841	0.250 (6.35)	0.625 (15.86)	0.062 (1.57)	✉
N/A	812-0844	0.375 (9.53)	0.750 (19.05)	0.031 (0.79)	✉
N/A	812-0845	0.375 (9.53)	0.750 (19.05)	0.062 (1.57)	✉
N/A	812-0849	0.500 (12.70)	0.656 (16.66)	0.031 (0.79)	✉
N/A	812-0850	0.500 (12.70)	0.656 (16.66)	0.062 (1.57)	✉
N/A	812-0851	0.500 (12.70)	0.875 (22.23)	0.031 (0.79)	✉
N/A	812-0857	0.750 (19.50)	1.000 (25.40)	0.031 (0.79)	✉
N/A	812-0858	0.750 (19.50)	1.000 (25.40)	0.062 (1.57)	✉
N/A	812-0864	1.000 (25.40)	1.438 (36.53)	0.031 (0.79)	✉
N/A	812-0865	1.000 (25.40)	1.438 (36.53)	0.062 (1.57)	✉

**GO TO DIE CUT SQUARE MATERIAL**

- [806A Silver Copper Silicone, 65 Duro](#)
- [805B Silver Aluminum Silicone](#)
- [816C Silver Copper Fluorosilicone](#)
- [815D Silver Aluminum Fluorosilicone](#)
- [808E Pure Silver Silicone, 65 Duro](#)
- [818F Pure Silver Fluorosilicone](#)
- [808H Pure Silver Silicone, 80 Duro](#)
- [806K Silver Copper Silicone, 85 Duro](#)
- [804L Silver Nickel Silicone](#)
- [803M Silver Glass Silicone](#)
- [801 Carbon Silicone](#)
- [802 Nickel Graphite Silicone](#)
- [812 Nickel Graphite Fluorosilicone](#)



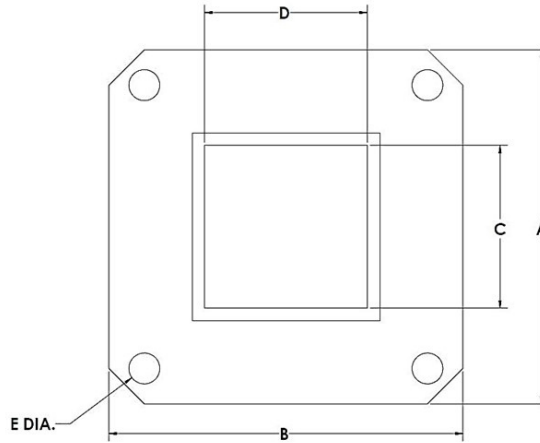
- O-RINGS
  - D-RINGS
  - FLAT WASHERS
  - WAVE GUIDES
- Die Cut Sq. Rectangular  
Die Cut Circular  
Molded Rec. O X-Section  
Molded Rec. D X-Section

**Material 806A – Square Rectangular Wave Guide** [Material 806A Data Sheet](#)

MIL SPEC No.	NJB Part No.	Dimension A (mm)	Dimension B (mm)	Dimension C (mm)	Dimension D (mm)	Dimension E (mm)	RFQ or Information
M83528/013A001	806A-2802	.750 (19.05)	.750 (19.05)	.145 (3.68)	.285 (7.24)	.116 (2.95)	☒
M83528/013A003	806A-2803	.875 (22.23)	.875 (22.23)	.175 (4.45)	.425 (10.80)	.116 (2.95)	☒
M83528/013A005	806A-2804	1.313 (33.35)	1.313 (33.35)	.630 (16.00)	.320 (8.13)	.140 (3.56)	☒
M83528/013A007	806A-2801	1.496 (38.00)	1.496 (38.00)	.760 (19.30)	.385 (9.78)	.155 (3.94)	☒
M83528/013A009	806A-2805	1.625 (41.28)	1.625 (41.28)	.905 (22.99)	.405 (10.29)	.169 (4.29)	☒
M83528/013A010	806A-2810	1.594 (40.49)	2.094 (53.19)	.405 (10.29)	.905 (22.99)	.169 (4.29)	☒
M83528/013A015	806A-2806	1.875 (47.63)	1.875 (47.63)	1.130 (28.70)	.505 (12.83)	.180 (4.57)	☒
M83528/013A016	806A-2817	1.750 (44.45)	2.500 (63.50)	.505 (12.83)	1.130 (28.70)	.171 (4.34)	☒
M83528/013A020	806A-2811	1.937 (49.20)	2.687 (68.25)	.633 (16.08)	1.380 (35.05)	.206 (5.23)	☒
M83528/013A021	806A-2818	1.531 (38.89)	2.281 (57.94)	.632 (16.05)	1.382 (35.10)	.150 (3.81)	☒
M83528/013A024	806A-2812	2.438 (61.93)	3.188 (80.98)	.805 (20.45)	1.600 (40.64)	.257 (6.53)	☒
M83528/013A025	806A-2823	1.750 (44.45)	2.500 (63.50)	.800 (20.32)	1.600 (40.64)	.150 (3.81)	☒
M83528/013A027	806A-2813	3.500 (88.90)	2.500 (63.50)	1.880 (47.75)	.880 (22.35)	.266 (6.76)	☒
M83528/013A028	806A-2820	1.784 (45.31)	2.781 (70.64)	.882 (22.40)	1.882 (47.80)	.141 (3.58)	☒
M83528/013A031	806A-2814	2.750 (69.85)	3.875 (98.43)	1.155 (29.34)	2.300 (58.42)	.270 (6.86)	☒
M83528/013A032	806A-2821	2.000 (50.80)	3.156 (80.16)	1.155 (29.34)	2.300 (58.42)	.150 (3.81)	☒
M83528/013A034	806A-2815	4.500 (114.30)	3.000 (76.20)	2.850 (72.39)	1.350 (34.29)	.266 (6.76)	☒
M83528/013A035	806A-2822	3.844 (97.64)	2.344 (59.54)	2.850 (72.39)	1.350 (34.29)	.188 (4.78)	☒
M83528/013A038	806A-2807	3.750 (95.25)	5.440 (138.18)	1.710 (43.43)	3.410 (86.61)	.250 (6.35)	☒
M83528/013A039	806A-2826	3.750 (95.25)	5.438 (138.13)	1.710 (43.43)	3.410 (86.61)	.266 (6.76)	☒
M83528/013A040	806A-2825	4.188 (106.38)	6.344 (161.14)	2.160 (54.86)	4.310 (109.47)	.281 (7.14)	☒
M83528/013A041	806A-2824	6.344 (161.14)	4.188 (106.38)	4.310 (109.47)	2.160 (54.86)	.266 (6.76)	☒
M83528/013A042	806A-2809	5.438 (138.13)	8.688 (220.68)	3.260 (82.80)	6.510 (165.35)	.328 (8.33)	☒

**GO TO DIE CUT SQUARE MATERIAL**

- [806A Silver Copper Silicone, 65 Duro](#)
- [805B Silver Aluminum Silicone](#)**
- [816C Silver Copper Fluorosilicone](#)
- [815D Silver Aluminum Fluorosilicone](#)
- [808E Pure Silver Silicone, 65 Duro](#)
- [818F Pure Silver Fluorosilicone](#)
- [808H Pure Silver Silicone, 80 Duro](#)
- [806K Silver Copper Silicone, 85 Duro](#)
- [804L Silver Nickel Silicone](#)
- [803M Silver Glass Silicone](#)
- [801 Carbon Silicone](#)
- [802 Nickel Graphite Silicone](#)
- [812 Nickel Graphite Fluorosilicone](#)



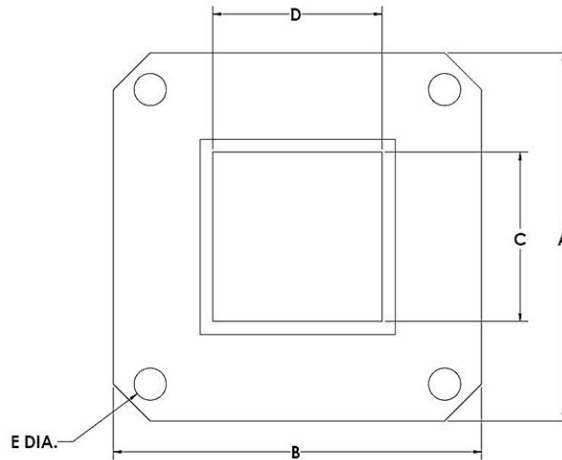
- O-RINGS
- D-RINGS
- WASHERS
- WAVE GUIDES
  - Die Cut Sq. Rectangular
  - Die Cut Circular
  - Molded Rec. O X-Section
  - Molded Rec. D X-Section

**Material 805B – Square Rectangular Wave Guide** **Material 805B Data Sheet**

MIL SPEC No.	NJB Part No.	Dimension A (mm)	Dimension B (mm)	Dimension C (mm)	Dimension D (mm)	Dimension E (mm)	RFQ or Information
M83528/013B001	805-2802	.750 (19.05)	.750 (19.05)	.145 (3.68)	.285 (7.24)	.116 (2.95)	<input type="checkbox"/>
M83528/013B003	805-2803	.875 (22.23)	.875 (22.23)	.175 (4.45)	.425 (10.80)	.116 (2.95)	<input type="checkbox"/>
M83528/013B005	805-2804	1.313 (33.35)	1.313 (33.35)	.630 (16.00)	.320 (8.13)	.140 (3.56)	<input type="checkbox"/>
M83528/013B007	805-2801	1.496 (38.00)	1.496 (38.00)	.760 (19.30)	.385 (9.78)	.155 (3.94)	<input type="checkbox"/>
M83528/013B009	805-2805	1.625 (41.28)	1.625 (41.28)	.905 (22.99)	.405 (10.29)	.169 (4.29)	<input type="checkbox"/>
M83528/013B010	805-2810	1.594 (40.49)	2.094 (53.19)	.405 (10.29)	.905 (22.99)	.169 (4.29)	<input type="checkbox"/>
M83528/013B015	805-2806	1.875 (47.63)	1.875 (47.63)	1.130 (28.70)	.505 (12.83)	.180 (4.57)	<input type="checkbox"/>
M83528/013B016	805-2817	1.750 (44.45)	2.500 (63.50)	.505 (12.83)	1.130 (28.70)	.171 (4.34)	<input type="checkbox"/>
M83528/013B020	805-2811	1.937 (49.20)	2.687 (68.25)	.633 (16.08)	1.380 (35.05)	.206 (5.23)	<input type="checkbox"/>
M83528/013B021	805-2818	1.531 (38.89)	2.281 (57.94)	.632 (16.05)	1.382 (35.10)	.150 (3.81)	<input type="checkbox"/>
M83528/013B024	805-2812	2.438 (61.93)	3.188 (80.98)	.805 (20.45)	1.600 (40.64)	.257 (6.53)	<input type="checkbox"/>
M83528/013B025	805-2823	1.750 (44.45)	2.500 (63.50)	.800 (20.32)	1.600 (40.64)	.150 (3.81)	<input type="checkbox"/>
M83528/013B027	805-2813	3.500 (88.90)	2.500 (63.50)	1.880 (47.75)	.880 (22.35)	.266 (6.76)	<input type="checkbox"/>
M83528/013B028	805-2820	1.784 (45.31)	2.781 (70.64)	.882 (22.40)	1.882 (47.80)	.141 (3.58)	<input type="checkbox"/>
M83528/013B031	805-2814	2.750 (69.85)	3.875 (98.43)	1.155 (29.34)	2.300 (58.42)	.270 (6.86)	<input type="checkbox"/>
M83528/013B032	805-2821	2.000 (50.80)	3.156 (80.16)	1.155 (29.34)	2.300 (58.42)	.150 (3.81)	<input type="checkbox"/>
M83528/013B034	805-2815	4.500 (114.30)	3.000 (76.20)	2.850 (72.39)	1.350 (34.29)	.266 (6.76)	<input type="checkbox"/>
M83528/013B035	805-2822	3.844 (97.64)	2.344 (59.54)	2.850 (72.39)	1.350 (34.29)	.188 (4.78)	<input type="checkbox"/>
M83528/013B038	805-2807	3.750 (95.25)	5.440 (138.18)	1.710 (43.43)	3.410 (86.61)	.250 (6.35)	<input type="checkbox"/>
M83528/013B039	805-2826	3.750 (95.25)	5.438 (138.13)	1.710 (43.43)	3.410 (86.61)	.266 (6.76)	<input type="checkbox"/>
M83528/013B040	805-2825	4.188 (106.38)	6.344 (161.14)	2.160 (54.86)	4.310 (109.47)	.281 (7.14)	<input type="checkbox"/>
M83528/013B041	805-2824	6.344 (161.14)	4.188 (106.38)	4.310 (109.47)	2.160 (54.86)	.266 (6.76)	<input type="checkbox"/>
M83528/013B042	805-2809	5.438 (138.13)	8.688 (220.68)	3.260 (82.80)	6.510 (165.35)	.328 (8.33)	<input type="checkbox"/>

**GO TO DIE CUT SQUARE MATERIAL**

- [806A Silver Copper Silicone, 65 Duro](#)
- [805B Silver Aluminum Silicone](#)
- [816C Silver Copper Fluorosilicone](#)**
- [815D Silver Aluminum Fluorosilicone](#)
- [808E Pure Silver Silicone, 65 Duro](#)
- [818F Pure Silver Fluorosilicone](#)
- [808H Pure Silver Silicone, 80 Duro](#)
- [806K Silver Copper Silicone, 85 Duro](#)
- [804L Silver Nickel Silicone](#)
- [803M Silver Glass Silicone](#)
- [801 Carbon Silicone](#)
- [802 Nickel Graphite Silicone](#)
- [812 Nickel Graphite Fluorosilicone](#)



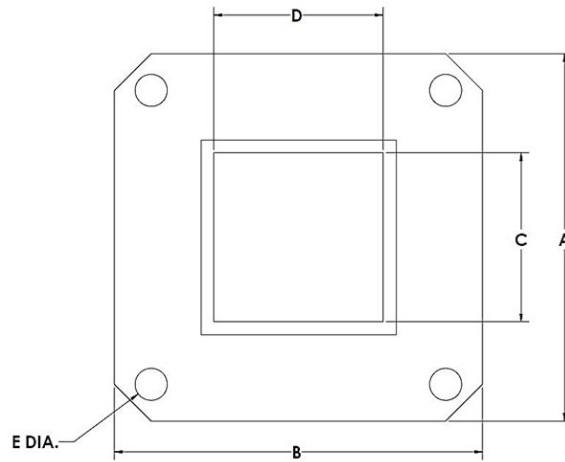
- O-RINGS
  - D-RINGS
  - FLAT WASHERS
  - WAVE GUIDES
- Die Cut Sq. Rectangular  
Die Cut Circular  
Molded Rec. O X-Section  
Molded Rec. D X-Section

**Material 816C – Square Rectangular Wave Guide** **Material 816C Data Sheet**

MIL SPEC No.	NJB Part No.	Dimension A (mm)	Dimension B (mm)	Dimension C (mm)	Dimension D (mm)	Dimension E (mm)	RFQ or Information
M83528/013C001	816-2802	.750 (19.05)	.750 (19.05)	.145 (3.68)	.285 (7.24)	.116 (2.95)	<input type="checkbox"/>
M83528/013C003	816-2803	.875 (22.23)	.875 (22.23)	.175 (4.45)	.425 (10.80)	.116 (2.95)	<input type="checkbox"/>
M83528/013C005	816-2804	1.313 (33.35)	1.313 (33.35)	.630 (16.00)	.320 (8.13)	.140 (3.56)	<input type="checkbox"/>
M83528/013C007	816-2801	1.496 (38.00)	1.496 (38.00)	.760 (19.30)	.385 (9.78)	.155 (3.94)	<input type="checkbox"/>
M83528/013C009	816-2805	1.625 (41.28)	1.625 (41.28)	.905 (22.99)	.405 (10.29)	.169 (4.29)	<input type="checkbox"/>
M83528/013C010	816-2810	1.594 (40.49)	2.094 (53.19)	.405 (10.29)	.905 (22.99)	.169 (4.29)	<input type="checkbox"/>
M83528/013C015	816-2806	1.875 (47.63)	1.875 (47.63)	1.130 (28.70)	.505 (12.83)	.180 (4.57)	<input type="checkbox"/>
M83528/013C016	816-2817	1.750 (44.45)	2.500 (63.50)	.505 (12.83)	1.130 (28.70)	.171 (4.34)	<input type="checkbox"/>
M83528/013C020	816-2811	1.937 (49.20)	2.687 (68.25)	.633 (16.08)	1.380 (35.05)	.206 (5.23)	<input type="checkbox"/>
M83528/013C021	816-2818	1.531 (38.89)	2.281 (57.94)	.632 (16.05)	1.382 (35.10)	.150 (3.81)	<input type="checkbox"/>
M83528/013C024	816-2812	2.438 (61.93)	3.188 (80.98)	.805 (20.45)	1.600 (40.64)	.257 (6.53)	<input type="checkbox"/>
M83528/013C025	816-2823	1.750 (44.45)	2.500 (63.50)	.800 (20.32)	1.600 (40.64)	.150 (3.81)	<input type="checkbox"/>
M83528/013C027	816-2813	3.500 (88.90)	2.500 (63.50)	1.880 (47.75)	.880 (22.35)	.266 (6.76)	<input type="checkbox"/>
M83528/013C028	816-2820	1.784 (45.31)	2.781 (70.64)	.882 (22.40)	1.882 (47.80)	.141 (3.58)	<input type="checkbox"/>
M83528/013C031	816-2814	2.750 (69.85)	3.875 (98.43)	1.155 (29.34)	2.300 (58.42)	.270 (6.86)	<input type="checkbox"/>
M83528/013C032	816-2821	2.000 (50.80)	3.156 (80.16)	1.155 (29.34)	2.300 (58.42)	.150 (3.81)	<input type="checkbox"/>
M83528/013C034	816-2815	4.500 (114.30)	3.000 (76.20)	2.850 (72.39)	1.350 (34.29)	.266 (6.76)	<input type="checkbox"/>
M83528/013C035	816-2822	3.844 (97.64)	2.344 (59.54)	2.850 (72.39)	1.350 (34.29)	.188 (4.78)	<input type="checkbox"/>
M83528/013C038	816-2807	3.750 (95.25)	5.440 (138.18)	1.710 (43.43)	3.410 (86.61)	.250 (6.35)	<input type="checkbox"/>
M83528/013C039	816-2826	3.750 (95.25)	5.438 (138.13)	1.710 (43.43)	3.410 (86.61)	.266 (6.76)	<input type="checkbox"/>
M83528/013C040	816-2825	4.188 (106.38)	6.344 (161.14)	2.160 (54.86)	4.310 (109.47)	.281 (7.14)	<input type="checkbox"/>
M83528/013C041	816-2824	6.344 (161.14)	4.188(106.38)	4.310 (109.47)	2.160 (54.86)	.266 (6.76)	<input type="checkbox"/>
M83528/013C042	816-2809	5.438 (138.13)	8.688 (220.68)	3.260 (82.80)	6.510 (165.35)	.328 (8.33)	<input type="checkbox"/>

**GO TO DIE CUT SQUARE MATERIAL**

- [806A Silver Copper Silicone, 65 Duro](#)
- [805B Silver Aluminum Silicone](#)
- [816C Silver Copper Fluorosilicone](#)
- [815D Silver Aluminum Fluorosilicone](#)
- [808E Pure Silver Silicone, 65 Duro](#)
- [818F Pure Silver Fluorosilicone](#)
- [808H Pure Silver Silicone, 80 Duro](#)
- [806K Silver Copper Silicone, 85 Duro](#)
- [804L Silver Nickel Silicone](#)
- [803M Silver Glass Silicone](#)
- [801 Carbon Silicone](#)
- [802 Nickel Graphite Silicone](#)
- [812 Nickel Graphite Fluorosilicone](#)



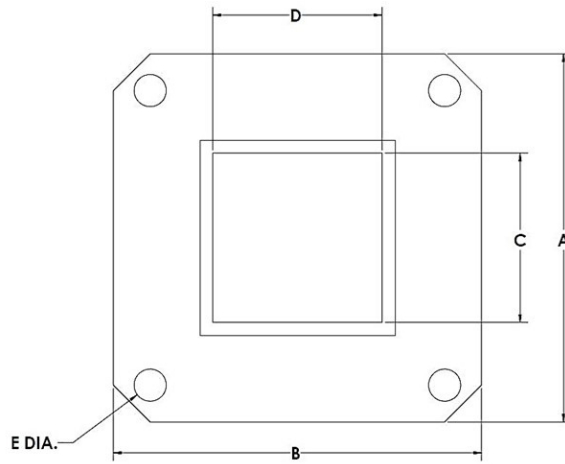
- O-RINGS
  - D-RINGS
  - WASHERS
  - WAVE GUIDES
- Die Cut Sq. Rectangular  
Die Cut Circular  
Molded Rec. O X-Section  
Molded Rec. D X-Section

**Material 815D – Square Rectangular Wave Guide** **Material 815D Data Sheet**

MIL SPEC No.	NJB Part No.	Dimension A (mm)	Dimension B (mm)	Dimension C (mm)	Dimension D (mm)	Dimension E (mm)	RFQ or Information
M83528/013D001	815-2802	.750 (19.05)	.750 (19.05)	.145 (3.68)	.285 (7.24)	.116 (2.95)	✉
M83528/013D003	815-2803	.875 (22.23)	.875 (22.23)	.175 (4.45)	.425 (10.80)	.116 (2.95)	✉
M83528/013D005	815-2804	1.313 (33.35)	1.313 (33.35)	.630 (16.00)	.320 (8.13)	.140 (3.56)	✉
M83528/013D007	815-2801	1.496 (38.00)	1.496 (38.00)	.760 (19.30)	.385 (9.78)	.155 (3.94)	✉
M83528/013D009	815-2805	1.625 (41.28)	1.625 (41.28)	.905 (22.99)	.405 (10.29)	.169 (4.29)	✉
M83528/013D010	815-2810	1.594 (40.49)	2.094 (53.19)	.405 (10.29)	.905 (22.99)	.169 (4.29)	✉
M83528/013D015	815-2806	1.875 (47.63)	1.875 (47.63)	1.130 (28.70)	.505 (12.83)	.180 (4.57)	✉
M83528/013D016	815-2817	1.750 (44.45)	2.500 (63.50)	.505 (12.83)	1.130 (28.70)	.171 (4.34)	✉
M83528/013D020	815-2811	1.937 (49.20)	2.687 (68.25)	.633 (16.08)	1.380 (35.05)	.206 (5.23)	✉
M83528/013D021	815-2818	1.531 (38.89)	2.281 (57.94)	.632 (16.05)	1.382 (35.10)	.150 (3.81)	✉
M83528/013D024	815-2812	2.438 (61.93)	3.188 (80.98)	.805 (20.45)	1.600 (40.64)	.257 (6.53)	✉
M83528/013D025	815-2823	1.750 (44.45)	2.500 (63.50)	.800 (20.32)	1.600 (40.64)	.150 (3.81)	✉
M83528/013D027	815-2813	3.500 (88.90)	2.500 (63.50)	1.880 (47.75)	.880 (22.35)	.266 (6.76)	✉
M83528/013D028	815-2820	1.784 (45.31)	2.781 (70.64)	.882 (22.40)	1.882 (47.80)	.141 (3.58)	✉
M83528/013D031	815-2814	2.750 (69.85)	3.875 (98.43)	1.155 (29.34)	2.300 (58.42)	.270 (6.86)	✉
M83528/013D032	815-2821	2.000 (50.80)	3.156 (80.16)	1.155 (29.34)	2.300 (58.42)	.150 (3.81)	✉
M83528/013D034	815-2815	4.500 (114.30)	3.000 (76.20)	2.850 (72.39)	1.350 (34.29)	.266 (6.76)	✉
M83528/013D035	815-2822	3.844 (97.64)	2.344 (59.54)	2.850 (72.39)	1.350 (34.29)	.188 (4.78)	✉
M83528/013D038	815-2807	3.750 (95.25)	5.440 (138.18)	1.710 (43.43)	3.410 (86.61)	.250 (6.35)	✉
M83528/013D039	815-2826	3.750 (95.25)	5.438 (138.13)	1.710 (43.43)	3.410 (86.61)	.266 (6.76)	✉
M83528/013D040	815-2825	4.188 (106.38)	6.344 (161.14)	2.160 (54.86)	4.310 (109.47)	.281 (7.14)	✉
M83528/013D041	815-2824	6.344 (161.14)	4.188(106.38)	4.310 (109.47)	2.160 (54.86)	.266 (6.76)	✉
M83528/013D042	815-2809	5.438 (138.13)	8.688 (220.68)	3.260 (82.80)	6.510 (165.35)	.328 (8.33)	✉

**GO TO DIE CUT SQUARE MATERIAL**

- [806A Silver Copper Silicone, 65 Duro](#)
- [805B Silver Aluminum Silicone](#)
- [816C Silver Copper Fluorosilicone](#)
- [815D Silver Aluminum Fluorosilicone](#)
- [808E Pure Silver Silicone, 65 Duro](#)**
- [818F Pure Silver Fluorosilicone](#)
- [808H Pure Silver Silicone, 80 Duro](#)
- [806K Silver Copper Silicone, 85 Duro](#)
- [804L Silver Nickel Silicone](#)
- [803M Silver Glass Silicone](#)
- [801 Carbon Silicone](#)
- [802 Nickel Graphite Silicone](#)
- [812 Nickel Graphite Fluorosilicone](#)



- O-RINGS
  - D-RINGS
  - FLAT WASHERS
  - WAVE GUIDES
- Die Cut Sq. Rectangular  
Die Cut Circular  
Molded Rec. O X-Section  
Molded Rec. D X-Section

**Material 808E – Square Rectangular Wave Guide**

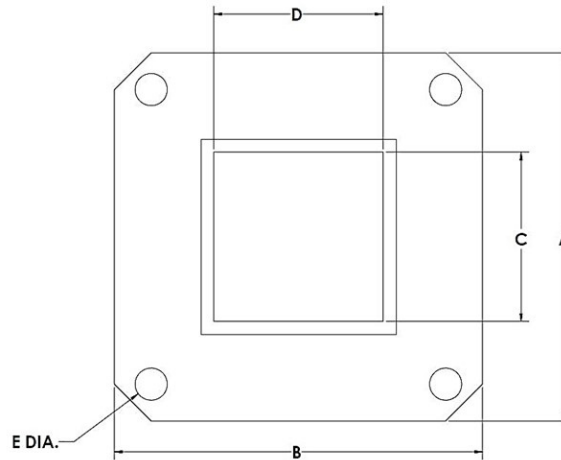
[Material 808E Data Sheet](#)

MIL SPEC No.	NJB Part No.	Dimension A (mm)	Dimension B (mm)	Dimension C (mm)	Dimension D (mm)	Dimension E (mm)	RFQ or Information
M83528/013E001	808E-2802	.750 (19.05)	.750 (19.05)	.145 (3.68)	.285 (7.24)	.116 (2.95)	<input type="checkbox"/>
M83528/013E003	808E-2803	.875 (22.23)	.875 (22.23)	.175 (4.45)	.425 (10.80)	.116 (2.95)	<input type="checkbox"/>
M83528/013E005	808E-2804	1.313 (33.35)	1.313 (33.35)	.630 (16.00)	.320 (8.13)	.140 (3.56)	<input type="checkbox"/>
M83528/013E007	808E-2801	1.496 (38.00)	1.496 (38.00)	.760 (19.30)	.385 (9.78)	.155 (3.94)	<input type="checkbox"/>
M83528/013E009	808E-2805	1.625 (41.28)	1.625 (41.28)	.905 (22.99)	.405 (10.29)	.169 (4.29)	<input type="checkbox"/>
M83528/013E010	808E-2810	1.594 (40.49)	2.094 (53.19)	.405 (10.29)	.905 (22.99)	.169 (4.29)	<input type="checkbox"/>
M83528/013E015	808E-2806	1.875 (47.63)	1.875 (47.63)	1.130 (28.70)	.505 (12.83)	.180 (4.57)	<input type="checkbox"/>
M83528/013E016	808E-2817	1.750 (44.45)	2.500 (63.50)	.505 (12.83)	1.130 (28.70)	.171 (4.34)	<input type="checkbox"/>
M83528/013E020	808E-2811	1.937 (49.20)	2.687 (68.25)	.633 (16.08)	1.380 (35.05)	.206 (5.23)	<input type="checkbox"/>
M83528/013E021	808E-2818	1.531 (38.89)	2.281 (57.94)	.632 (16.05)	1.382 (35.10)	.150 (3.81)	<input type="checkbox"/>
M83528/013E024	808E-2812	2.438 (61.93)	3.188 (80.98)	.805 (20.45)	1.600 (40.64)	.257 (6.53)	<input type="checkbox"/>
M83528/013E025	808E-2823	1.750 (44.45)	2.500 (63.50)	.800 (20.32)	1.600 (40.64)	.150 (3.81)	<input type="checkbox"/>
M83528/013E027	808E-2813	3.500 (88.90)	2.500 (63.50)	1.880 (47.75)	.880 (22.35)	.266 (6.76)	<input type="checkbox"/>
M83528/013E028	808E-2820	1.784 (45.31)	2.781 (70.64)	.882 (22.40)	1.882 (47.80)	.141 (3.58)	<input type="checkbox"/>
M83528/013E031	808E-2814	2.750 (69.85)	3.875 (98.43)	1.155 (29.34)	2.300 (58.42)	.270 (6.86)	<input type="checkbox"/>
M83528/013E032	808E-2821	2.000 (50.80)	3.156 (80.16)	1.155 (29.34)	2.300 (58.42)	.150 (3.81)	<input type="checkbox"/>
M83528/013E034	808E-2815	4.500 (114.30)	3.000 (76.20)	2.850 (72.39)	1.350 (34.29)	.266 (6.76)	<input type="checkbox"/>
M83528/013E035	808E-2822	3.844 (97.64)	2.344 (59.54)	2.850 (72.39)	1.350 (34.29)	.188 (4.78)	<input type="checkbox"/>
M83528/013E038	808E-2807	3.750 (95.25)	5.440 (138.18)	1.710 (43.43)	3.410 (86.61)	.250 (6.35)	<input type="checkbox"/>
M83528/013E039	808E-2826	3.750 (95.25)	5.438 (138.13)	1.710 (43.43)	3.410 (86.61)	.266 (6.76)	<input type="checkbox"/>
M83528/013E040	808E-2825	4.188 (106.38)	6.344 (161.14)	2.160 (54.86)	4.310 (109.47)	.281 (7.14)	<input type="checkbox"/>
M83528/013E041	808E-2824	6.344 (161.14)	4.188 (106.38)	4.310 (109.47)	2.160 (54.86)	.266 (6.76)	<input type="checkbox"/>
M83528/013E042	808E-2809	5.438 (138.13)	8.688 (220.68)	3.260 (82.80)	6.510 (165.35)	.328 (8.33)	<input type="checkbox"/>



### GO TO DIE CUT SQUARE MATERIAL

- [806A Silver Copper Silicone, 65 Duro](#)
- [805B Silver Aluminum Silicone](#)
- [816C Silver Copper Fluorosilicone](#)
- [815D Silver Aluminum Fluorosilicone](#)
- [808E Pure Silver Silicone, 65 Duro](#)
- [818F Pure Silver Fluorosilicone](#)**
- [808H Pure Silver Silicone, 80 Duro](#)
- [806K Silver Copper Silicone, 85 Duro](#)
- [804L Silver Nickel Silicone](#)
- [803M Silver Glass Silicone](#)
- [801 Carbon Silicone](#)
- [802 Nickel Graphite Silicone](#)
- [812 Nickel Graphite Fluorosilicone](#)



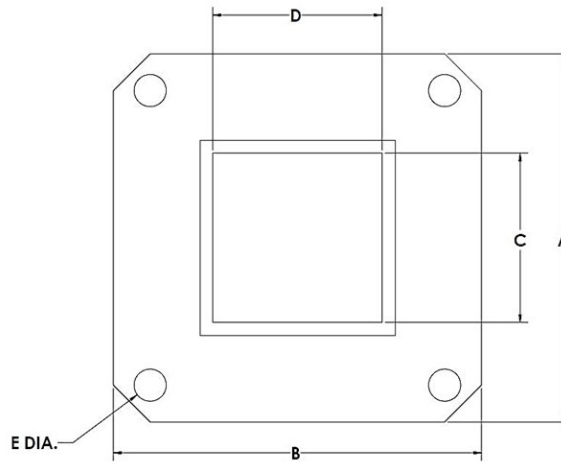
- O-RINGS
- D-RINGS
- WASHERS
- WAVE GUIDES
  - Die Cut Sq. Rectangular
  - Die Cut Circular
  - Molded Rec. O X-Section
  - Molded Rec. D X-Section

### Material 818F – Square Rectangular Wave Guide [Material 818F Data Sheet](#)

MIL SPEC No.	NJB Part No.	Dimension A (mm)	Dimension B (mm)	Dimension C (mm)	Dimension D (mm)	Dimension E (mm)	RFQ or Information
M83528/013F001	818-2802	.750 (19.05)	.750 (19.05)	.145 (3.68)	.285 (7.24)	.116 (2.95)	☒
M83528/013F003	818-2803	.875 (22.23)	.875 (22.23)	.175 (4.45)	.425 (10.80)	.116 (2.95)	☒
M83528/013F005	818-2804	1.313 (33.35)	1.313 (33.35)	.630 (16.00)	.320 (8.13)	.140 (3.56)	☒
M83528/013F007	818-2801	1.496 (38.00)	1.496 (38.00)	.760 (19.30)	.385 (9.78)	.155 (3.94)	☒
M83528/013F009	818-2805	1.625 (41.28)	1.625 (41.28)	.905 (22.99)	.405 (10.29)	.169 (4.29)	☒
M83528/013F010	818-2810	1.594 (40.49)	2.094 (53.19)	.405 (10.29)	.905 (22.99)	.169 (4.29)	☒
M83528/013F015	818-2806	1.875 (47.63)	1.875 (47.63)	1.130 (28.70)	.505 (12.83)	.180 (4.57)	☒
M83528/013F016	818-2817	1.750 (44.45)	2.500 (63.50)	.505 (12.83)	1.130 (28.70)	.171 (4.34)	☒
M83528/013F020	818-2811	1.937 (49.20)	2.687 (68.25)	.633 (16.08)	1.380 (35.05)	.206 (5.23)	☒
M83528/013F021	818-2818	1.531 (38.89)	2.281 (57.94)	.632 (16.05)	1.382 (35.10)	.150 (3.81)	☒
M83528/013F024	818-2812	2.438 (61.93)	3.188 (80.98)	.805 (20.45)	1.600 (40.64)	.257 (6.53)	☒
M83528/013F025	818-2823	1.750 (44.45)	2.500 (63.50)	.800 (20.32)	1.600 (40.64)	.150 (3.81)	☒
M83528/013F027	818-2813	3.500 (88.90)	2.500 (63.50)	1.880 (47.75)	.880 (22.35)	.266 (6.76)	☒
M83528/013F028	818-2820	1.784 (45.31)	2.781 (70.64)	.882 (22.40)	1.882 (47.80)	.141 (3.58)	☒
M83528/013F031	818-2814	2.750 (69.85)	3.875 (98.43)	1.155 (29.34)	2.300 (58.42)	.270 (6.86)	☒
M83528/013F032	818-2821	2.000 (50.80)	3.156 (80.16)	1.155 (29.34)	2.300 (58.42)	.150 (3.81)	☒
M83528/013F034	818-2815	4.500 (114.30)	3.000 (76.20)	2.850 (72.39)	1.350 (34.29)	.266 (6.76)	☒
M83528/013F035	818-2822	3.844 (97.64)	2.344 (59.54)	2.850 (72.39)	1.350 (34.29)	.188 (4.78)	☒
M83528/013F038	818-2807	3.750 (95.25)	5.440 (138.18)	1.710 (43.43)	3.410 (86.61)	.250 (6.35)	☒
M83528/013F039	818-2826	3.750 (95.25)	5.438 (138.13)	1.710 (43.43)	3.410 (86.61)	.266 (6.76)	☒
M83528/013F040	818-2825	4.188 (106.38)	6.344 (161.14)	2.160 (54.86)	4.310 (109.47)	.281 (7.14)	☒
M83528/013F041	818-2824	6.344 (161.14)	4.188 (106.38)	4.310 (109.47)	2.160 (54.86)	.266 (6.76)	☒
M83528/013F042	818-2809	5.438 (138.13)	8.688 (220.68)	3.260 (82.80)	6.510 (165.35)	.328 (8.33)	☒

**GO TO DIE CUT SQUARE MATERIAL**

- [806A Silver Copper Silicone, 65 Duro](#)
- [805B Silver Aluminum Silicone](#)
- [816C Silver Copper Fluorosilicone](#)
- [815D Silver Aluminum Fluorosilicone](#)
- [808E Pure Silver Silicone, 65 Duro](#)
- [818F Pure Silver Fluorosilicone](#)
- [808H Pure Silver Silicone, 80 Duro](#)**
- [806K Silver Copper Silicone, 85 Duro](#)
- [804L Silver Nickel Silicone](#)
- [803M Silver Glass Silicone](#)
- [801 Carbon Silicone](#)
- [802 Nickel Graphite Silicone](#)
- [812 Nickel Graphite Fluorosilicone](#)



- O-RINGS
  - D-RINGS
  - FLAT WASHERS
  - WAVE GUIDES
- Die Cut Sq. Rectangular  
Die Cut Circular  
Molded Rec. O X-Section  
Molded Rec. D X-Section

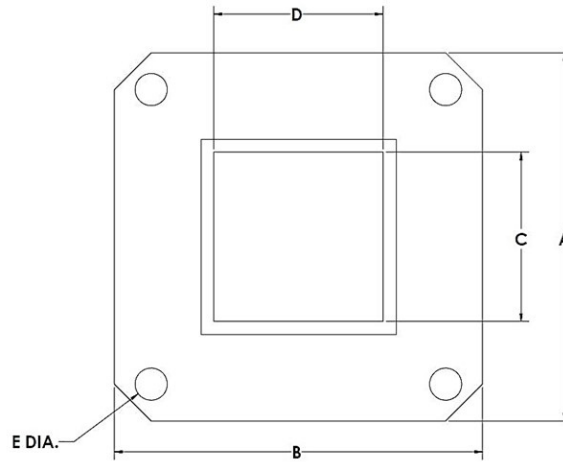
**Material 808H – Square Rectangular Wave Guide**

[Material 808H Data Sheet](#)

MIL SPEC No.	NJB Part No.	Dimension A (mm)	Dimension B (mm)	Dimension C (mm)	Dimension D (mm)	Dimension E (mm)	RFQ or Information
M83528/013H001	808H-2802	.750 (19.05)	.750 (19.05)	.145 (3.68)	.285 (7.24)	.116 (2.95)	✉
M83528/013H003	808H-2803	.875 (22.23)	.875 (22.23)	.175 (4.45)	.425 (10.80)	.116 (2.95)	✉
M83528/013H005	808H-2804	1.313 (33.35)	1.313 (33.35)	.630 (16.00)	.320 (8.13)	.140 (3.56)	✉
M83528/013H007	808H-2801	1.496 (38.00)	1.496 (38.00)	.760 (19.30)	.385 (9.78)	.155 (3.94)	✉
M83528/013H009	808H-2805	1.625 (41.28)	1.625 (41.28)	.905 (22.99)	.405 (10.29)	.169 (4.29)	✉
M83528/013H010	808H-2810	1.594 (40.49)	2.094 (53.19)	.405 (10.29)	.905 (22.99)	.169 (4.29)	✉
M83528/013H015	808H-2806	1.875 (47.63)	1.875 (47.63)	1.130 (28.70)	.505 (12.83)	.180 (4.57)	✉
M83528/013H016	808H-2817	1.750 (44.45)	2.500 (63.50)	.505 (12.83)	1.130 (28.70)	.171 (4.34)	✉
M83528/013H020	808H-2811	1.937 (49.20)	2.687 (68.25)	.633 (16.08)	1.380 (35.05)	.206 (5.23)	✉
M83528/013H021	808H-2818	1.531 (38.89)	2.281 (57.94)	.632 (16.05)	1.382 (35.10)	.150 (3.81)	✉
M83528/013H024	808H-2812	2.438 (61.93)	3.188 (80.98)	.805 (20.45)	1.600 (40.64)	.257 (6.53)	✉
M83528/013H025	808H-2823	1.750 (44.45)	2.500 (63.50)	.800 (20.32)	1.600 (40.64)	.150 (3.81)	✉
M83528/013H027	808H-2813	3.500 (88.90)	2.500 (63.50)	1.880 (47.75)	.880 (22.35)	.266 (6.76)	✉
M83528/013H028	808H-2820	1.784 (45.31)	2.781 (70.64)	.882 (22.40)	1.882 (47.80)	.141 (3.58)	✉
M83528/013H031	808H-2814	2.750 (69.85)	3.875 (98.43)	1.155 (29.34)	2.300 (58.42)	.270 (6.86)	✉
M83528/013H032	808H-2821	2.000 (50.80)	3.156 (80.16)	1.155 (29.34)	2.300 (58.42)	.150 (3.81)	✉
M83528/013H034	808H-2815	4.500 (114.30)	3.000 (76.20)	2.850 (72.39)	1.350 (34.29)	.266 (6.76)	✉
M83528/013H035	808H-2822	3.844 (97.64)	2.344 (59.54)	2.850 (72.39)	1.350 (34.29)	.188 (4.78)	✉
M83528/013H038	808H-2807	3.750 (95.25)	5.440 (138.18)	1.710 (43.43)	3.410 (86.61)	.250 (6.35)	✉
M83528/013H039	808H-2826	3.750 (95.25)	5.438 (138.13)	1.710 (43.43)	3.410 (86.61)	.266 (6.76)	✉
M83528/013H040	808H-2825	4.188 (106.38)	6.344 (161.14)	2.160 (54.86)	4.310 (109.47)	.281 (7.14)	✉
M83528/013H041	808H-2824	6.344 (161.14)	4.188 (106.38)	4.310 (109.47)	2.160 (54.86)	.266 (6.76)	✉
M83528/013H042	808H-2809	5.438 (138.13)	8.688 (220.68)	3.260 (82.80)	6.510 (165.35)	.328 (8.33)	✉

**GO TO DIE CUT SQUARE MATERIAL**

- [806A Silver Copper Silicone, 65 Duro](#)
- [805B Silver Aluminum Silicone](#)
- [816C Silver Copper Fluorosilicone](#)
- [815D Silver Aluminum Fluorosilicone](#)
- [808E Pure Silver Silicone, 65 Duro](#)
- [818F Pure Silver Fluorosilicone](#)
- [808H Pure Silver Silicone, 80 Duro](#)
- [806K Silver Copper Silicone, 85 Duro](#)**
- [804L Silver Nickel Silicone](#)
- [803M Silver Glass Silicone](#)
- [801 Carbon Silicone](#)
- [802 Nickel Graphite Silicone](#)
- [812 Nickel Graphite Fluorosilicone](#)



- O-RINGS
  - D-RINGS
  - WASHERS
  - WAVE GUIDES
- Die Cut Sq. Rectangular  
Die Cut Circular  
Molded Rec. O X-Section  
Molded Rec. D X-Section

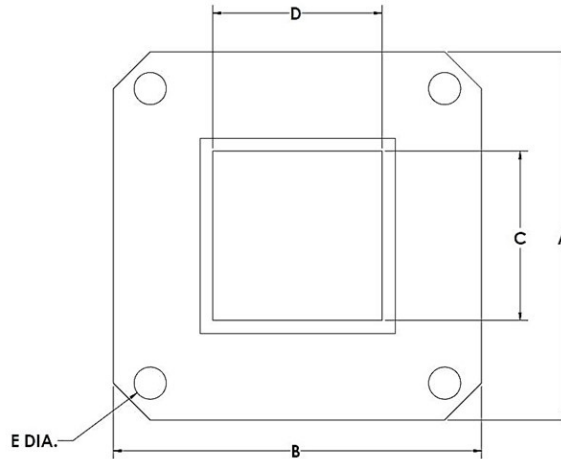
**Material 806K – Square Rectangular Wave Guide**

[Material 806K Data Sheet](#)

MIL SPEC No.	NJB Part No.	Dimension A (mm)	Dimension B (mm)	Dimension C (mm)	Dimension D (mm)	Dimension E (mm)	RFQ or Information
M83528/013K001	806K-2802	.750 (19.05)	.750 (19.05)	.145 (3.68)	.285 (7.24)	.116 (2.95)	✉
M83528/013K003	806K-2803	.875 (22.23)	.875 (22.23)	.175 (4.45)	.425 (10.80)	.116 (2.95)	✉
M83528/013K005	806K-2804	1.313 (33.35)	1.313 (33.35)	.630 (16.00)	.320 (8.13)	.140 (3.56)	✉
M83528/013K007	806K-2801	1.496 (38.00)	1.496 (38.00)	.760 (19.30)	.385 (9.78)	.155 (3.94)	✉
M83528/013K009	806K-2805	1.625 (41.28)	1.625 (41.28)	.905 (22.99)	.405 (10.29)	.169 (4.29)	✉
M83528/013K010	806K-2810	1.594 (40.49)	2.094 (53.19)	.405 (10.29)	.905 (22.99)	.169 (4.29)	✉
M83528/013K015	806K-2806	1.875 (47.63)	1.875 (47.63)	1.130 (28.70)	.505 (12.83)	.180 (4.57)	✉
M83528/013K016	806K-2817	1.750 (44.45)	2.500 (63.50)	.505 (12.83)	1.130 (28.70)	.171 (4.34)	✉
M83528/013K020	806K-2811	1.937 (49.20)	2.687 (68.25)	.633 (16.08)	1.380 (35.05)	.206 (5.23)	✉
M83528/013K021	806K-2818	1.531 (38.89)	2.281 (57.94)	.632 (16.05)	1.382 (35.10)	.150 (3.81)	✉
M83528/013K024	806K-2812	2.438 (61.93)	3.188 (80.98)	.805 (20.45)	1.600 (40.64)	.257 (6.53)	✉
M83528/013K025	806K-2823	1.750 (44.45)	2.500 (63.50)	.800 (20.32)	1.600 (40.64)	.150 (3.81)	✉
M83528/013K027	806K-2813	3.500 (88.90)	2.500 (63.50)	1.880 (47.75)	.880 (22.35)	.266 (6.76)	✉
M83528/013K028	806K-2820	1.784 (45.31)	2.781 (70.64)	.882 (22.40)	1.882 (47.80)	.141 (3.58)	✉
M83528/013K031	806K-2814	2.750 (69.85)	3.875 (98.43)	1.155 (29.34)	2.300 (58.42)	.270 (6.86)	✉
M83528/013K032	806K-2821	2.000 (50.80)	3.156 (80.16)	1.155 (29.34)	2.300 (58.42)	.150 (3.81)	✉
M83528/013K034	806K-2815	4.500 (114.30)	3.000 (76.20)	2.850 (72.39)	1.350 (34.29)	.266 (6.76)	✉
M83528/013K035	806K-2822	3.844 (97.64)	2.344 (59.54)	2.850 (72.39)	1.350 (34.29)	.188 (4.78)	✉
M83528/013K038	806K-2807	3.750 (95.25)	5.440 (138.18)	1.710 (43.43)	3.410 (86.61)	.250 (6.35)	✉
M83528/013K039	806K-2826	3.750 (95.25)	5.438 (138.13)	1.710 (43.43)	3.410 (86.61)	.266 (6.76)	✉
M83528/013K040	806K-2825	4.188 (106.38)	6.344 (161.14)	2.160 (54.86)	4.310 (109.47)	.281 (7.14)	✉
M83528/013K041	806K-2824	6.344 (161.14)	4.188(106.38)	4.310 (109.47)	2.160 (54.86)	.266 (6.76)	✉
M83528/013K042	806K-2809	5.438 (138.13)	8.688 (220.68)	3.260 (82.80)	6.510 (165.35)	.328 (8.33)	✉

**GO TO DIE CUT SQUARE MATERIAL**

- [806A Silver Copper Silicone, 65 Duro](#)
- [805B Silver Aluminum Silicone](#)
- [816C Silver Copper Fluorosilicone](#)
- [815D Silver Aluminum Fluorosilicone](#)
- [808E Pure Silver Silicone, 65 Duro](#)
- [818F Pure Silver Fluorosilicone](#)
- [808H Pure Silver Silicone, 80 Duro](#)
- [806K Silver Copper Silicone, 85 Duro](#)
- [804L Silver Nickel Silicone](#)**
- [803M Silver Glass Silicone](#)
- [801 Carbon Silicone](#)
- [802 Nickel Graphite Silicone](#)
- [812 Nickel Graphite Fluorosilicone](#)



- O-RINGS
  - D-RINGS
  - FLAT WASHERS
  - WAVE GUIDES
- Die Cut Sq. Rectangular  
Die Cut Circular  
Molded Rec. O X-Section  
Molded Rec. D X-Section

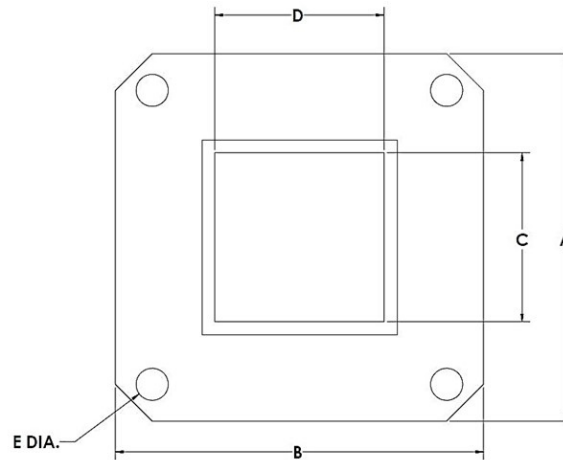
**Material 804L – Square Rectangular Wave Guide**

[Material 804L Data Sheet](#)

MIL SPEC No.	NJB Part No.	Dimension A (mm)	Dimension B (mm)	Dimension C (mm)	Dimension D (mm)	Dimension E (mm)	RFQ or Information
M83528/013L001	804-2802	.750 (19.05)	.750 (19.05)	.145 (3.68)	.285 (7.24)	.116 (2.95)	☒
M83528/013L003	804-2803	.875 (22.23)	.875 (22.23)	.175 (4.45)	.425 (10.80)	.116 (2.95)	☒
M83528/013L005	804-2804	1.313 (33.35)	1.313 (33.35)	.630 (16.00)	.320 (8.13)	.140 (3.56)	☒
M83528/013L007	804-2801	1.496 (38.00)	1.496 (38.00)	.760 (19.30)	.385 (9.78)	.155 (3.94)	☒
M83528/013L009	804-2805	1.625 (41.28)	1.625 (41.28)	.905 (22.99)	.405 (10.29)	.169 (4.29)	☒
M83528/013L010	804-2810	1.594 (40.49)	2.094 (53.19)	.405 (10.29)	.905 (22.99)	.169 (4.29)	☒
M83528/013L015	804-2806	1.875 (47.63)	1.875 (47.63)	1.130 (28.70)	.505 (12.83)	.180 (4.57)	☒
M83528/013L016	804-2817	1.750 (44.45)	2.500 (63.50)	.505 (12.83)	1.130 (28.70)	.171 (4.34)	☒
M83528/013L020	804-2811	1.937 (49.20)	2.687 (68.25)	.633 (16.08)	1.380 (35.05)	.206 (5.23)	☒
M83528/013L021	804-2818	1.531 (38.89)	2.281 (57.94)	.632 (16.05)	1.382 (35.10)	.150 (3.81)	☒
M83528/013L024	804-2812	2.438 (61.93)	3.188 (80.98)	.805 (20.45)	1.600 (40.64)	.257 (6.53)	☒
M83528/013L025	804-2823	1.750 (44.45)	2.500 (63.50)	.800 (20.32)	1.600 (40.64)	.150 (3.81)	☒
M83528/013L027	804-2813	3.500 (88.90)	2.500 (63.50)	1.880 (47.75)	.880 (22.35)	.266 (6.76)	☒
M83528/013L028	804-2820	1.784 (45.31)	2.781 (70.64)	.882 (22.40)	1.882 (47.80)	.141 (3.58)	☒
M83528/013L031	804-2814	2.750 (69.85)	3.875 (98.43)	1.155 (29.34)	2.300 (58.42)	.270 (6.86)	☒
M83528/013L032	804-2821	2.000 (50.80)	3.156 (80.16)	1.155 (29.34)	2.300 (58.42)	.150 (3.81)	☒
M83528/013L034	804-2815	4.500 (114.30)	3.000 (76.20)	2.850 (72.39)	1.350 (34.29)	.266 (6.76)	☒
M83528/013L035	804-2822	3.844 (97.64)	2.344 (59.54)	2.850 (72.39)	1.350 (34.29)	.188 (4.78)	☒
M83528/013L038	804-2807	3.750 (95.25)	5.440 (138.18)	1.710 (43.43)	3.410 (86.61)	.250 (6.35)	☒
M83528/013L039	804-2826	3.750 (95.25)	5.438 (138.13)	1.710 (43.43)	3.410 (86.61)	.266 (6.76)	☒
M83528/013L040	804-2825	4.188 (106.38)	6.344 (161.14)	2.160 (54.86)	4.310 (109.47)	.281 (7.14)	☒
M83528/013L041	804-2824	6.344 (161.14)	4.188(106.38)	4.310 (109.47)	2.160 (54.86)	.266 (6.76)	☒
M83528/013L042	804-2809	5.438 (138.13)	8.688 (220.68)	3.260 (82.80)	6.510 (165.35)	.328 (8.33)	☒

**GO TO DIE CUT SQUARE MATERIAL**

- [806A Silver Copper Silicone, 65 Duro](#)
- [805B Silver Aluminum Silicone](#)
- [816C Silver Copper Fluorosilicone](#)
- [815D Silver Aluminum Fluorosilicone](#)
- [808E Pure Silver Silicone, 65 Duro](#)
- [818F Pure Silver Fluorosilicone](#)
- [808H Pure Silver Silicone, 80 Duro](#)
- [806K Silver Copper Silicone, 85 Duro](#)
- [804L Silver Nickel Silicone](#)
- [803M Silver Glass Silicone](#)**
- [801 Carbon Silicone](#)
- [802 Nickel Graphite Silicone](#)
- [812 Nickel Graphite Fluorosilicone](#)



- O-RINGS
- D-RINGS
- WASHERS
- WAVE GUIDES**  
 Die Cut Sq. Rectangular  
 Die Cut Circular  
 Molded Rec. O X-Section  
 Molded Rec. D X-Section

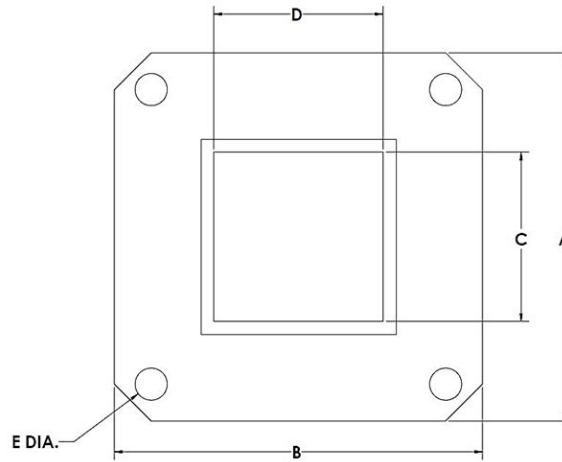
**Material 803M – Square Rectangular Wave Guide**

[Material 803M Data Sheet](#)

MIL SPEC No.	NJB Part No.	Dimension A (mm)	Dimension B (mm)	Dimension C (mm)	Dimension D (mm)	Dimension E (mm)	RFQ or Information
M83528/013M001	803-2802	.750 (19.05)	.750 (19.05)	.145 (3.68)	.285 (7.24)	.116 (2.95)	✉
M83528/013M003	803-2803	.875 (22.23)	.875 (22.23)	.175 (4.45)	.425 (10.80)	.116 (2.95)	✉
M83528/013M005	803-2804	1.313 (33.35)	1.313 (33.35)	.630 (16.00)	.320 (8.13)	.140 (3.56)	✉
M83528/013M007	803-2801	1.496 (38.00)	1.496 (38.00)	.760 (19.30)	.385 (9.78)	.155 (3.94)	✉
M83528/013M009	803-2805	1.625 (41.28)	1.625 (41.28)	.905 (22.99)	.405 (10.29)	.169 (4.29)	✉
M83528/013M010	803-2810	1.594 (40.49)	2.094 (53.19)	.405 (10.29)	.905 (22.99)	.169 (4.29)	✉
M83528/013M015	803-2806	1.875 (47.63)	1.875 (47.63)	1.130 (28.70)	.505 (12.83)	.180 (4.57)	✉
M83528/013M016	803-2817	1.750 (44.45)	2.500 (63.50)	.505 (12.83)	1.130 (28.70)	.171 (4.34)	✉
M83528/013M020	803-2811	1.937 (49.20)	2.687 (68.25)	.633 (16.08)	1.380 (35.05)	.206 (5.23)	✉
M83528/013M021	803-2818	1.531 (38.89)	2.281 (57.94)	.632 (16.05)	1.382 (35.10)	.150 (3.81)	✉
M83528/013M024	803-2812	2.438 (61.93)	3.188 (80.98)	.805 (20.45)	1.600 (40.64)	.257 (6.53)	✉
M83528/013M025	803-2823	1.750 (44.45)	2.500 (63.50)	.800 (20.32)	1.600 (40.64)	.150 (3.81)	✉
M83528/013M027	803-2813	3.500 (88.90)	2.500 (63.50)	1.880 (47.75)	.880 (22.35)	.266 (6.76)	✉
M83528/013M028	803-2820	1.784 (45.31)	2.781 (70.64)	.882 (22.40)	1.882 (47.80)	.141 (3.58)	✉
M83528/013M031	803-2814	2.750 (69.85)	3.875 (98.43)	1.155 (29.34)	2.300 (58.42)	.270 (6.86)	✉
M83528/013M032	803-2821	2.000 (50.80)	3.156 (80.16)	1.155 (29.34)	2.300 (58.42)	.150 (3.81)	✉
M83528/013M034	803-2815	4.500 (114.30)	3.000 (76.20)	2.850 (72.39)	1.350 (34.29)	.266 (6.76)	✉
M83528/013M035	803-2822	3.844 (97.64)	2.344 (59.54)	2.850 (72.39)	1.350 (34.29)	.188 (4.78)	✉
M83528/013M038	803-2807	3.750 (95.25)	5.440 (138.18)	1.710 (43.43)	3.410 (86.61)	.250 (6.35)	✉
M83528/013M039	803-2826	3.750 (95.25)	5.438 (138.13)	1.710 (43.43)	3.410 (86.61)	.266 (6.76)	✉
M83528/013M040	803-2825	4.188 (106.38)	6.344 (161.14)	2.160 (54.86)	4.310 (109.47)	.281 (7.14)	✉
M83528/013M041	803-2824	6.344 (161.14)	4.188(106.38)	4.310 (109.47)	2.160 (54.86)	.266 (6.76)	✉
M83528/013M042	803-2809	5.438 (138.13)	8.688 (220.68)	3.260 (82.80)	6.510 (165.35)	.328 (8.33)	✉

### GO TO DIE CUT SQUARE MATERIAL

- [806A Silver Copper Silicone, 65 Duro](#)
- [805B Silver Aluminum Silicone](#)
- [816C Silver Copper Fluorosilicone](#)
- [815D Silver Aluminum Fluorosilicone](#)
- [808E Pure Silver Silicone, 65 Duro](#)
- [818F Pure Silver Fluorosilicone](#)
- [808H Pure Silver Silicone, 80 Duro](#)
- [806K Silver Copper Silicone, 85 Duro](#)
- [804L Silver Nickel Silicone](#)
- [803M Silver Glass Silicone](#)
- 801 Carbon Silicone**
- [802 Nickel Graphite Silicone](#)
- [812 Nickel Graphite Fluorosilicone](#)



- O-RINGS
- D-RINGS
- FLAT WASHERS
- WAVE GUIDES
  - Die Cut Sq. Rectangular
  - Die Cut Circular
  - Molded Rec. O X-Section
  - Molded Rec. D X-Section

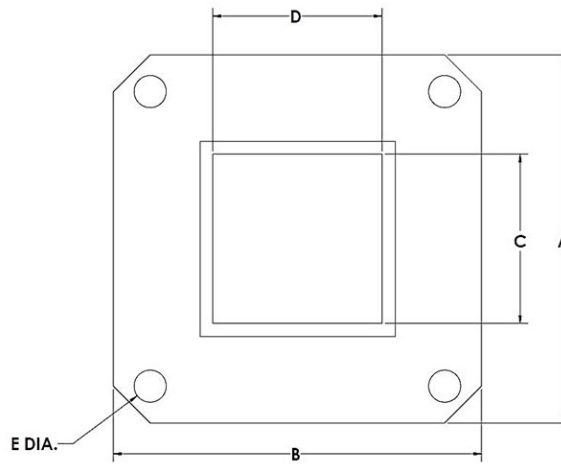
### Material 801 – Square Rectangular Wave Guide

[Material 801 Data Sheet](#)

MIL SPEC No.	NJB Part No.	Dimension A (mm)	Dimension B (mm)	Dimension C (mm)	Dimension D (mm)	Dimension E (mm)	RFQ or Information
N/A	801-2802	.750 (19.05)	.750 (19.05)	.145 (3.68)	.285 (7.24)	.116 (2.95)	
N/A	801-2803	.875 (22.23)	.875 (22.23)	.175 (4.45)	.425 (10.80)	.116 (2.95)	
N/A	801-2804	1.313 (33.35)	1.313 (33.35)	.630 (16.00)	.320 (8.13)	.140 (3.56)	
N/A	801-2801	1.496 (38.00)	1.496 (38.00)	.760 (19.30)	.385 (9.78)	.155 (3.94)	
N/A	801-2805	1.625 (41.28)	1.625 (41.28)	.905 (22.99)	.405 (10.29)	.169 (4.29)	
N/A	801-2810	1.594 (40.49)	2.094 (53.19)	.405 (10.29)	.905 (22.99)	.169 (4.29)	
N/A	801-2806	1.875 (47.63)	1.875 (47.63)	1.130 (28.70)	.505 (12.83)	.180 (4.57)	
N/A	801-2817	1.750 (44.45)	2.500 (63.50)	.505 (12.83)	1.130 (28.70)	.171 (4.34)	
N/A	801-2811	1.937 (49.20)	2.687 (68.25)	.633 (16.08)	1.380 (35.05)	.206 (5.23)	
N/A	801-2818	1.531 (38.89)	2.281 (57.94)	.632 (16.05)	1.382 (35.10)	.150 (3.81)	
N/A	801-2812	2.438 (61.93)	3.188 (80.98)	.805 (20.45)	1.600 (40.64)	.257 (6.53)	
N/A	801-2823	1.750 (44.45)	2.500 (63.50)	.800 (20.32)	1.600 (40.64)	.150 (3.81)	
N/A	801-2813	3.500 (88.90)	2.500 (63.50)	1.880 (47.75)	.880 (22.35)	.266 (6.76)	
N/A	801-2820	1.784 (45.31)	2.781 (70.64)	.882 (22.40)	1.882 (47.80)	.141 (3.58)	
N/A	801-2814	2.750 (69.85)	3.875 (98.43)	1.155 (29.34)	2.300 (58.42)	.270 (6.86)	
N/A	801-2821	2.000 (50.80)	3.156 (80.16)	1.155 (29.34)	2.300 (58.42)	.150 (3.81)	
N/A	801-2815	4.500 (114.30)	3.000 (76.20)	2.850 (72.39)	1.350 (34.29)	.266 (6.76)	
N/A	801-2822	3.844 (97.64)	2.344 (59.54)	2.850 (72.39)	1.350 (34.29)	.188 (4.78)	
N/A	801-2807	3.750 (95.25)	5.440 (138.18)	1.710 (43.43)	3.410 (86.61)	.250 (6.35)	
N/A	801-2826	3.750 (95.25)	5.438 (138.13)	1.710 (43.43)	3.410 (86.61)	.266 (6.76)	
N/A	801-2825	4.188 (106.38)	6.344 (161.14)	2.160 (54.86)	4.310 (109.47)	.281 (7.14)	
N/A	801-2824	6.344 (161.14)	4.188(106.38)	4.310 (109.47)	2.160 (54.86)	.266 (6.76)	
N/A	801-2809	5.438 (138.13)	8.688 (220.68)	3.260 (82.80)	6.510 (165.35)	.328 (8.33)	

**GO TO DIE CUT SQUARE MATERIAL**

- [806A Silver Copper Silicone, 65 Duro](#)
- [805B Silver Aluminum Silicone](#)
- [816C Silver Copper Fluorosilicone](#)
- [815D Silver Aluminum Fluorosilicone](#)
- [808E Pure Silver Silicone, 65 Duro](#)
- [818F Pure Silver Fluorosilicone](#)
- [808H Pure Silver Silicone, 80 Duro](#)
- [806K Silver Copper Silicone, 85 Duro](#)
- [804L Silver Nickel Silicone](#)
- [803M Silver Glass Silicone](#)
- [801 Carbon Silicone](#)
- [802 Nickel Graphite Silicone](#)**
- [812 Nickel Graphite Fluorosilicone](#)



- O-RINGS
- D-RINGS
- WASHERS
- WAVE GUIDES
  - Die Cut Sq. Rectangular
  - Die Cut Circular
  - Molded Rec. O X-Section
  - Molded Rec. D X-Section

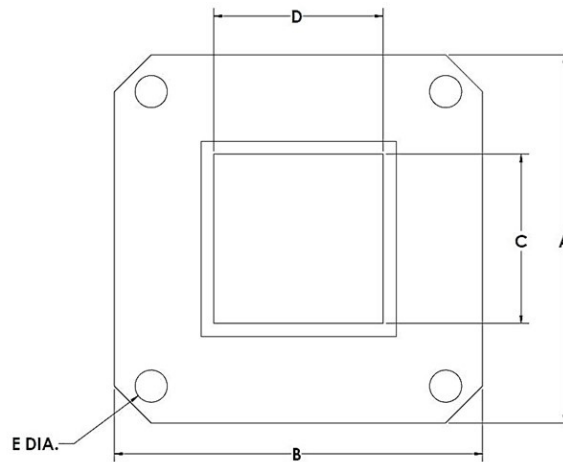
**Material 802 – Square Rectangular Wave Guide**

**Material 802 Data Sheet**

MIL SPEC No.	NJB Part No.	Dimension A (mm)	Dimension B (mm)	Dimension C (mm)	Dimension D (mm)	Dimension E (mm)	RFQ or Information
N/A	802-2802	.750 (19.05)	.750 (19.05)	.145 (3.68)	.285 (7.24)	.116 (2.95)	✉
N/A	802-2803	.875 (22.23)	.875 (22.23)	.175 (4.45)	.425 (10.80)	.116 (2.95)	✉
N/A	802-2804	1.313 (33.35)	1.313 (33.35)	.630 (16.00)	.320 (8.13)	.140 (3.56)	✉
N/A	802-2801	1.496 (38.00)	1.496 (38.00)	.760 (19.30)	.385 (9.78)	.155 (3.94)	✉
N/A	802-2805	1.625 (41.28)	1.625 (41.28)	.905 (22.99)	.405 (10.29)	.169 (4.29)	✉
N/A	802-2810	1.594 (40.49)	2.094 (53.19)	.405 (10.29)	.905 (22.99)	.169 (4.29)	✉
N/A	802-2806	1.875 (47.63)	1.875 (47.63)	1.130 (28.70)	.505 (12.83)	.180 (4.57)	✉
N/A	802-2817	1.750 (44.45)	2.500 (63.50)	.505 (12.83)	1.130 (28.70)	.171 (4.34)	✉
N/A	802-2811	1.937 (49.20)	2.687 (68.25)	.633 (16.08)	1.380 (35.05)	.206 (5.23)	✉
N/A	802-2818	1.531 (38.89)	2.281 (57.94)	.632 (16.05)	1.382 (35.10)	.150 (3.81)	✉
N/A	802-2812	2.438 (61.93)	3.188 (80.98)	.805 (20.45)	1.600 (40.64)	.257 (6.53)	✉
N/A	802-2823	1.750 (44.45)	2.500 (63.50)	.800 (20.32)	1.600 (40.64)	.150 (3.81)	✉
N/A	802-2813	3.500 (88.90)	2.500 (63.50)	1.880 (47.75)	.880 (22.35)	.266 (6.76)	✉
N/A	802-2820	1.784 (45.31)	2.781 (70.64)	.882 (22.40)	1.882 (47.80)	.141 (3.58)	✉
N/A	802-2814	2.750 (69.85)	3.875 (98.43)	1.155 (29.34)	2.300 (58.42)	.270 (6.86)	✉
N/A	802-2821	2.000 (50.80)	3.156 (80.16)	1.155 (29.34)	2.300 (58.42)	.150 (3.81)	✉
N/A	802-2815	4.500 (114.30)	3.000 (76.20)	2.850 (72.39)	1.350 (34.29)	.266 (6.76)	✉
N/A	802-2822	3.844 (97.64)	2.344 (59.54)	2.850 (72.39)	1.350 (34.29)	.188 (4.78)	✉
N/A	802-2807	3.750 (95.25)	5.440 (138.18)	1.710 (43.43)	3.410 (86.61)	.250 (6.35)	✉
N/A	802-2826	3.750 (95.25)	5.438 (138.13)	1.710 (43.43)	3.410 (86.61)	.266 (6.76)	✉
N/A	802-2825	4.188 (106.38)	6.344 (161.14)	2.160 (54.86)	4.310 (109.47)	.281 (7.14)	✉
N/A	802-2824	6.344 (161.14)	4.188 (106.38)	4.310 (109.47)	2.160 (54.86)	.266 (6.76)	✉
N/A	802-2809	5.438 (138.13)	8.688 (220.68)	3.260 (82.80)	6.510 (165.35)	.328 (8.33)	✉

**GO TO DIE CUT SQUARE MATERIAL**

- [806A Silver Copper Silicone, 65 Duro](#)
- [805B Silver Aluminum Silicone](#)
- [816C Silver Copper Fluorosilicone](#)
- [815D Silver Aluminum Fluorosilicone](#)
- [808E Pure Silver Silicone, 65 Duro](#)
- [818F Pure Silver Fluorosilicone](#)
- [808H Pure Silver Silicone, 80 Duro](#)
- [806K Silver Copper Silicone, 85 Duro](#)
- [804L Silver Nickel Silicone](#)
- [803M Silver Glass Silicone](#)
- [801 Carbon Silicone](#)
- [802 Nickel Graphite Silicone](#)
- [812 Nickel Graphite Fluorosilicone](#)



- O-RINGS
  - D-RINGS
  - FLAT WASHERS
  - WAVE GUIDES
- Die Cut Sq. Rectangular  
Die Cut Circular  
Molded Rec. O X-Section  
Molded Rec. D X-Section

**Material 812 – Square Rectangular Wave Guide**

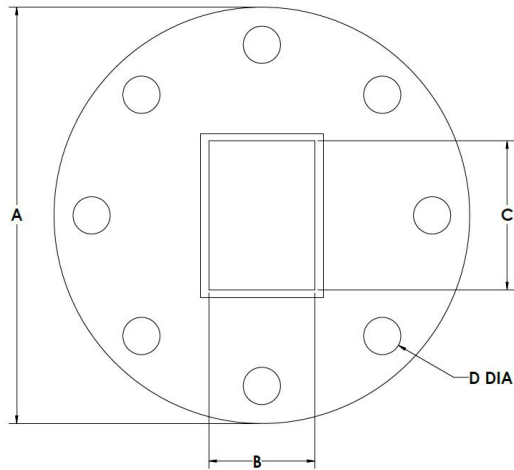
[Material 812 Data Sheet](#)

MIL SPEC No.	NJB Part No.	Dimension A (mm)	Dimension B (mm)	Dimension C (mm)	Dimension D (mm)	Dimension E (mm)	RFQ or Information
N/A	812-2802	.750 (19.05)	.750 (19.05)	.145 (3.68)	.285 (7.24)	.116 (2.95)	
N/A	812-2803	.875 (22.23)	.875 (22.23)	.175 (4.45)	.425 (10.80)	.116 (2.95)	
N/A	812-2804	1.313 (33.35)	1.313 (33.35)	.630 (16.00)	.320 (8.13)	.140 (3.56)	
N/A	812-2801	1.496 (38.00)	1.496 (38.00)	.760 (19.30)	.385 (9.78)	.155 (3.94)	
N/A	812-2805	1.625 (41.28)	1.625 (41.28)	.905 (22.99)	.405 (10.29)	.169 (4.29)	
N/A	812-2810	1.594 (40.49)	2.094 (53.19)	.405 (10.29)	.905 (22.99)	.169 (4.29)	
N/A	812-2806	1.875 (47.63)	1.875 (47.63)	1.130 (28.70)	.505 (12.83)	.180 (4.57)	
N/A	812-2817	1.750 (44.45)	2.500 (63.50)	.505 (12.83)	1.130 (28.70)	.171 (4.34)	
N/A	812-2811	1.937 (49.20)	2.687 (68.25)	.633 (16.08)	1.380 (35.05)	.206 (5.23)	
N/A	812-2818	1.531 (38.89)	2.281 (57.94)	.632 (16.05)	1.382 (35.10)	.150 (3.81)	
N/A	812-2812	2.438 (61.93)	3.188 (80.98)	.805 (20.45)	1.600 (40.64)	.257 (6.53)	
N/A	812-2823	1.750 (44.45)	2.500 (63.50)	.800 (20.32)	1.600 (40.64)	.150 (3.81)	
N/A	812-2813	3.500 (88.90)	2.500 (63.50)	1.880 (47.75)	.880 (22.35)	.266 (6.76)	
N/A	812-2820	1.784 (45.31)	2.781 (70.64)	.882 (22.40)	1.882 (47.80)	.141 (3.58)	
N/A	812-2814	2.750 (69.85)	3.875 (98.43)	1.155 (29.34)	2.300 (58.42)	.270 (6.86)	
N/A	812-2821	2.000 (50.80)	3.156 (80.16)	1.155 (29.34)	2.300 (58.42)	.150 (3.81)	
N/A	812-2815	4.500 (114.30)	3.000 (76.20)	2.850 (72.39)	1.350 (34.29)	.266 (6.76)	
N/A	812-2822	3.844 (97.64)	2.344 (59.54)	2.850 (72.39)	1.350 (34.29)	.188 (4.78)	
N/A	812-2807	3.750 (95.25)	5.440 (138.18)	1.710 (43.43)	3.410 (86.61)	.250 (6.35)	
N/A	812-2826	3.750 (95.25)	5.438 (138.13)	1.710 (43.43)	3.410 (86.61)	.266 (6.76)	
N/A	812-2825	4.188 (106.38)	6.344 (161.14)	2.160 (54.86)	4.310 (109.47)	.281 (7.14)	
N/A	812-2824	6.344 (161.14)	4.188 (106.38)	4.310 (109.47)	2.160 (54.86)	.266 (6.76)	
N/A	812-2809	5.438 (138.13)	8.688 (220.68)	3.260 (82.80)	6.510 (165.35)	.328 (8.33)	



### GO TO DIE CUT CIRCULAR MATERIAL

- [806A Silver Copper Silicone, 65 Duro](#)
- [805B Silver Aluminum Silicone](#)
- [816C Silver Copper Fluorosilicone](#)
- [815D Silver Aluminum Fluorosilicone](#)
- [808E Pure Silver Silicone, 65 Duro](#)
- [818F Pure Silver Fluorosilicone](#)
- [808H Pure Silver Silicone, 80 Duro](#)
- [806K Silver Copper Silicone, 85 Duro](#)
- [804L Silver Nickel Silicone](#)
- [803M Silver Glass Silicone](#)
- [801 Carbon Silicone](#)
- [802 Nickel Graphite Silicone](#)
- [812 Nickel Graphite Fluorosilicone](#)



- O-RINGS
- D-RINGS
- WASHERS
- WAVE GUIDES
  - Die Cut Sq. Rectangular
  - Die Cut Circular
  - Molded Rec. O X-Section
  - Molded Rec. D X-Section

#### Material 806A – Circular Wave Guide

[Material 806A Data Sheet](#)

MIL SPEC No.	NJB Part No.	Dimension A (mm)	Dimension B (mm)	Dimension C (mm)	Dimension D (mm)	Thickness (mm)	RFQ or Information
M83528/013A019	806A-2831	3.125 (79.38)	.632 (16.05)	1.382 (35.10)	.234 (5.94)	.027 (0.69)	<input type="checkbox"/>
M83528/013A026	806A-2832	3.625 (92.08)	.882 (22.40)	1.882 (47.80)	.234 (5.94)	.027 (0.69)	<input type="checkbox"/>
M83528/013A033	806A-2833	5.312 (134.92)	1.350 (34.29)	2.850 (72.39)	.290 (7.37)	.027 (0.69)	<input type="checkbox"/>

#### Material 805B – Circular Wave Guide

[Material 805B Data Sheet](#)

MIL SPEC No.	NJB Part No.	Dimension A (mm)	Dimension B (mm)	Dimension C (mm)	Dimension D (mm)	Thickness (mm)	RFQ or Information
M83528/013B019	805-2831	3.125 (79.38)	.632 (16.05)	1.382 (35.10)	.234 (5.94)	.027 (0.69)	<input type="checkbox"/>
M83528/013B026	805-2832	3.625 (92.08)	.882 (22.40)	1.882 (47.80)	.234 (5.94)	.027 (0.69)	<input type="checkbox"/>
M83528/013B033	805-2833	5.312 (134.92)	1.350 (34.29)	2.850 (72.39)	.290 (7.37)	.027 (0.69)	<input type="checkbox"/>

#### Material 816C – Circular Wave Guide

[Material 816C Data Sheet](#)

MIL SPEC No.	NJB Part No.	Dimension A (mm)	Dimension B (mm)	Dimension C (mm)	Dimension D (mm)	Thickness (mm)	RFQ or Information
M83528/013C019	816-2831	3.125 (79.38)	.632 (16.05)	1.382 (35.10)	.234 (5.94)	.027 (0.69)	<input type="checkbox"/>
M83528/013C026	816-2832	3.625 (92.08)	.882 (22.40)	1.882 (47.80)	.234 (5.94)	.027 (0.69)	<input type="checkbox"/>
M83528/013C033	816-2833	5.312 (134.92)	1.350 (34.29)	2.850 (72.39)	.290 (7.37)	.027 (0.69)	<input type="checkbox"/>

#### Material 815D – Circular Wave Guide

[Material 815D Data Sheet](#)

MIL SPEC No.	NJB Part No.	Dimension A (mm)	Dimension B (mm)	Dimension C (mm)	Dimension D (mm)	Thickness (mm)	RFQ or Information
M83528/013D019	815-2831	3.125 (79.38)	.632 (16.05)	1.382 (35.10)	.234 (5.94)	.027 (0.69)	<input type="checkbox"/>
M83528/013D026	815-2832	3.625 (92.08)	.882 (22.40)	1.882 (47.80)	.234 (5.94)	.027 (0.69)	<input type="checkbox"/>
M83528/013D033	815-2833	5.312 (134.92)	1.350 (34.29)	2.850 (72.39)	.290 (7.37)	.027 (0.69)	<input type="checkbox"/>

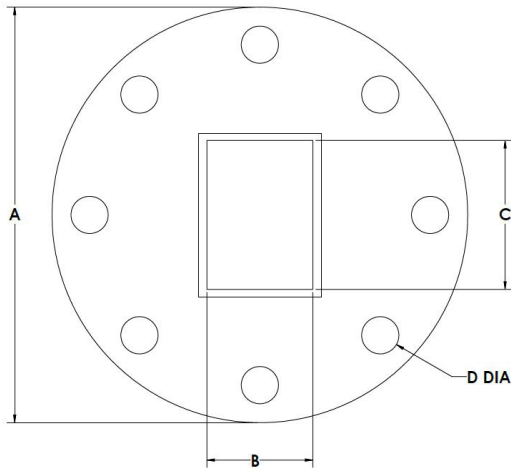
#### Material 808E – Circular Wave Guide

[Material 808E Data Sheet](#)

MIL SPEC No.	NJB Part No.	Dimension A (mm)	Dimension B (mm)	Dimension C (mm)	Dimension D (mm)	Thickness (mm)	RFQ or Information
M83528/013E019	808-2831	3.125 (79.38)	.632 (16.05)	1.382 (35.10)	.234 (5.94)	.027 (0.69)	<input type="checkbox"/>
M83528/013E026	808-2832	3.625 (92.08)	.882 (22.40)	1.882 (47.80)	.234 (5.94)	.027 (0.69)	<input type="checkbox"/>
M83528/013E033	808-2833	5.312 (134.92)	1.350 (34.29)	2.850 (72.39)	.290 (7.37)	.027 (0.69)	<input type="checkbox"/>

**GO TO DIE CUT CIRCULAR MATERIAL**

- [806A Silver Copper Silicone, 65 Duro](#)
- [805B Silver Aluminum Silicone](#)
- [816C Silver Copper Fluorosilicone](#)
- [815D Silver Aluminum Fluorosilicone](#)
- [808E Pure Silver Silicone, 65 Duro](#)
- [818F Pure Silver Fluorosilicone](#)
- [808H Pure Silver Silicone, 80 Duro](#)
- [806K Silver Copper Silicone, 85 Duro](#)
- [804L Silver Nickel Silicone](#)
- [803M Silver Glass Silicone](#)
- [801 Carbon Silicone](#)
- [802 Nickel Graphite Silicone](#)
- [812 Nickel Graphite Fluorosilicone](#)



- O-RINGS
  - D-RINGS
  - FLAT WASHERS
  - WAVE GUIDES
- Die Cut Sq. Rectangular  
Die Cut Circular  
Molded Rec. O X-Section  
Molded Rec. D X-Section

**Material 818F – Circular Wave Guide**

[Material 818F Data Sheet](#)

MIL SPEC No.	NJB Part No.	Dimension A (mm)	Dimension B (mm)	Dimension C (mm)	Dimension D (mm)	Thickness (mm)	RFQ or Information
M83528/013F019	818-2831	3.125 (79.38)	.632 (16.05)	1.382 (35.10)	.234 (5.94)	.027 (0.69)	✉
M83528/013F026	818-2832	3.625 (92.08)	.882 (22.40)	1.882 (47.80)	.234 (5.94)	.027 (0.69)	✉
M83528/013F033	818-2833	5.312 (134.92)	1.350 (34.29)	2.850 (72.39)	.290 (7.37)	.027 (0.69)	✉

**Material 808H – Circular Wave Guide**

[Material 808H Data Sheet](#)

MIL SPEC No.	NJB Part No.	Dimension A (mm)	Dimension B (mm)	Dimension C (mm)	Dimension D (mm)	Thickness (mm)	RFQ or Information
M83528/013H019	808H-2831	3.125 (79.38)	.632 (16.05)	1.382 (35.10)	.234 (5.94)	.027 (0.69)	✉
M83528/013H026	808H-2832	3.625 (92.08)	.882 (22.40)	1.882 (47.80)	.234 (5.94)	.027 (0.69)	✉
M83528/013H033	808H-2833	5.312 (134.92)	1.350 (34.29)	2.850 (72.39)	.290 (7.37)	.027 (0.69)	✉

**Material 806K – Circular Wave Guide**

[Material 806K Data Sheet](#)

MIL SPEC No.	NJB Part No.	Dimension A (mm)	Dimension B (mm)	Dimension C (mm)	Dimension D (mm)	Thickness (mm)	RFQ or Information
M83528/013K019	806K-2831	3.125 (79.38)	.632 (16.05)	1.382 (35.10)	.234 (5.94)	.027 (0.69)	✉
M83528/013K026	806K-2832	3.625 (92.08)	.882 (22.40)	1.882 (47.80)	.234 (5.94)	.027 (0.69)	✉
M83528/013K033	806K-2833	5.312 (134.92)	1.350 (34.29)	2.850 (72.39)	.290 (7.37)	.027 (0.69)	✉

**Material 804L – Circular Wave Guide**

[Material 804L Data Sheet](#)

MIL SPEC No.	NJB Part No.	Dimension A (mm)	Dimension B (mm)	Dimension C (mm)	Dimension D (mm)	Thickness (mm)	RFQ or Information
M83528/013L019	804-2831	3.125 (79.38)	.632 (16.05)	1.382 (35.10)	.234 (5.94)	.027 (0.69)	✉
M83528/013L026	804-2832	3.625 (92.08)	.882 (22.40)	1.882 (47.80)	.234 (5.94)	.027 (0.69)	✉
M83528/013L033	804-2833	5.312 (134.92)	1.350 (34.29)	2.850 (72.39)	.290 (7.37)	.027 (0.69)	✉

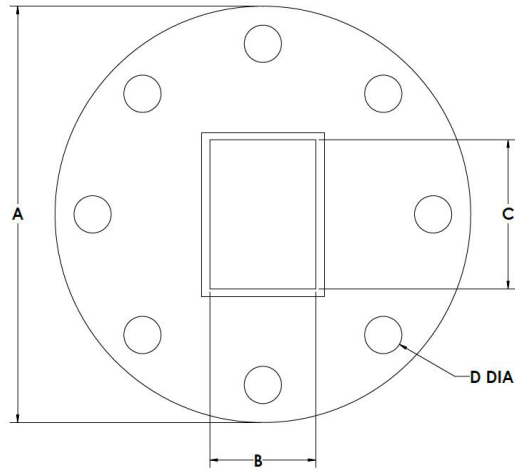
**Material 803M – Circular Wave Guide**

[Material 803M Data Sheet](#)

MIL SPEC No.	NJB Part No.	Dimension A (mm)	Dimension B (mm)	Dimension C (mm)	Dimension D (mm)	Thickness (mm)	RFQ or Information
M83528/013M019	803-2831	3.125 (79.38)	.632 (16.05)	1.382 (35.10)	.234 (5.94)	.027 (0.69)	✉
M83528/013M026	803-2832	3.625 (92.08)	.882 (22.40)	1.882 (47.80)	.234 (5.94)	.027 (0.69)	✉
M83528/013M033	803-2833	5.312 (134.92)	1.350 (34.29)	2.850 (72.39)	.290 (7.37)	.027 (0.69)	✉

### GO TO DIE CUT CIRCULAR MATERIAL

- [806A Silver Copper Silicone, 65 Duro](#)
- [805B Silver Aluminum Silicone](#)
- [816C Silver Copper Fluorosilicone](#)
- [815D Silver Aluminum Fluorosilicone](#)
- [808E Pure Silver Silicone, 65 Duro](#)
- [818F Pure Silver Fluorosilicone](#)
- [808H Pure Silver Silicone, 80 Duro](#)
- [806K Silver Copper Silicone, 85 Duro](#)
- [804L Silver Nickel Silicone](#)
- [803M Silver Glass Silicone](#)
- 801 Carbon Silicone**
- 802 Nickel Graphite Silicone**
- 812 Nickel Graphite Fluorosilicone**



- O-RINGS
- D-RINGS
- WASHERS
- WAVE GUIDES
  - Die Cut Sq. Rectangular
  - Die Cut Circular
  - Molded Rec. O X-Section
  - Molded Rec. D X-Section

### Material 801 – Circular Wave Guide

[Material 801 Data Sheet](#)

MIL SPEC No.	NJB Part No.	Dimension A (mm)	Dimension B (mm)	Dimension C (mm)	Dimension D (mm)	Thickness (mm)	RFQ or Information
N/A	801-2831	3.125 (79.38)	.632 (16.05)	1.382 (35.10)	.234 (5.94)	.027 (0.69)	
N/A	801-2832	3.625 (92.08)	.882 (22.40)	1.882 (47.80)	.234 (5.94)	.027 (0.69)	
N/A	801-2833	5.312 (134.92)	1.350 (34.29)	2.850 (72.39)	.290 (7.37)	.027 (0.69)	

### Material 802 – Circular Wave Guide

[Material 802 Data Sheet](#)

MIL SPEC No.	NJB Part No.	Dimension A (mm)	Dimension B (mm)	Dimension C (mm)	Dimension D (mm)	Thickness (mm)	RFQ or Information
N/A	802-2831	3.125 (79.38)	.632 (16.05)	1.382 (35.10)	.234 (5.94)	.027 (0.69)	
N/A	802-2832	3.625 (92.08)	.882 (22.40)	1.882 (47.80)	.234 (5.94)	.027 (0.69)	
N/A	802-2833	5.312 (134.92)	1.350 (34.29)	2.850 (72.39)	.290 (7.37)	.027 (0.69)	

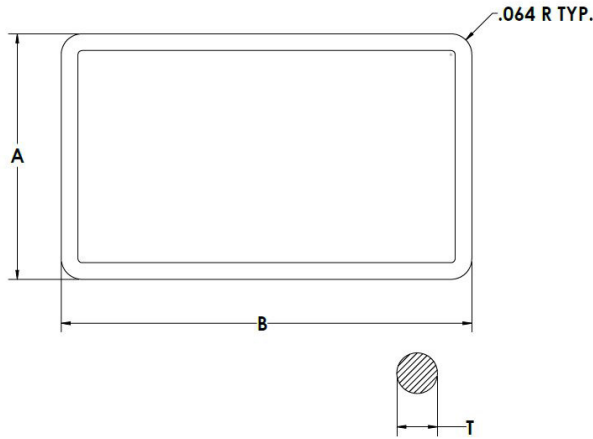
### Material 812 – Circular Wave Guide

[Material 812 Data Sheet](#)

MIL SPEC No.	NJB Part No.	Dimension A (mm)	Dimension B (mm)	Dimension C (mm)	Dimension D (mm)	Thickness (mm)	RFQ or Information
N/A	812-2831	3.125 (79.38)	.632 (16.05)	1.382 (35.10)	.234 (5.94)	.027 (0.69)	
N/A	812-2832	3.625 (92.08)	.882 (22.40)	1.882 (47.80)	.234 (5.94)	.027 (0.69)	
N/A	812-2833	5.312 (134.92)	1.350 (34.29)	2.850 (72.39)	.290 (7.37)	.027 (0.69)	

**GO TO REC. O CROSS-SECTION MATERIAL**

- [806A Silver Copper Silicone, 65 Duro](#)
- [805B Silver Aluminum Silicone](#)
- [816C Silver Copper Fluorosilicone](#)
- [815D Silver Aluminum Fluorosilicone](#)
- [808E Pure Silver Silicone, 65 Duro](#)
- [818F Pure Silver Fluorosilicone](#)
- [808H Pure Silver Silicone, 80 Duro](#)
- [806K Silver Copper Silicone, 85 Duro](#)
- [804L Silver Nickel Silicone](#)
- [803M Silver Glass Silicone](#)
- [801 Carbon Silicone](#)
- [802 Nickel Graphite Silicone](#)
- [812 Nickel Graphite Fluorosilicone](#)



- O-RINGS
  - D-RINGS
  - FLAT WASHERS
  - WAVE GUIDES
- Die Cut Sq. Rectangular  
Die Cut Circular  
Molded Rec. O X-Section  
Molded Rec. D X-Section

**Material 806A – Molded Rectangular O Cross-Section**

[Material 806A Data Sheet](#)

MIL SPEC No.	NJB Part No.	Dimension A (mm)	Dimension B (mm)	Thickness (mm)	RFQ or Information
M83528/013A013	806A-2934	0.991 (25.17)	0.991 (25.17)	0.103 (2.62)	✉
M83528/013A018	806A-2935	0.991 (25.17)	0.991 (25.17)	0.103 (2.62)	✉
M83528/013A023	806A-2936	1.866 (41.05)	1.116 (28.35)	0.103 (2.62)	✉
M83528/013A030	806A-2937	2.449 (62.20)	1.449 (36.80)	0.139 (3.53)	✉
M83528/013A037	806A-2938	3.451 (87.66)	1.951 (49.56)	0.139 (3.53)	✉

**Material 805B – Molded Rectangular O Cross-Section**

[Material 805B Data Sheet](#)

MIL SPEC No.	NJB Part No.	Dimension A (mm)	Dimension B (mm)	Thickness (mm)	RFQ or Information
M83528/013B013	805-2934	0.991 (25.17)	0.991 (25.17)	0.103 (2.62)	✉
M83528/013B018	805-2935	0.991 (25.17)	0.991 (25.17)	0.103 (2.62)	✉
M83528/013B023	805-2936	1.866 (41.05)	1.116 (28.35)	0.103 (2.62)	✉
M83528/013B030	805-2937	2.449 (62.20)	1.449 (36.80)	0.139 (3.53)	✉
M83528/013B037	805-2938	3.451 (87.66)	1.951 (49.56)	0.139 (3.53)	✉

**Material 816C – Molded Rectangular O Cross-Section**

[Material 816C Data Sheet](#)

MIL SPEC No.	NJB Part No.	Dimension A (mm)	Dimension B (mm)	Thickness (mm)	RFQ or Information
M83528/013C013	816-2934	0.991 (25.17)	0.991 (25.17)	0.103 (2.62)	✉
M83528/013C018	816-2935	0.991 (25.17)	0.991 (25.17)	0.103 (2.62)	✉
M83528/013C023	816-2936	1.866 (41.05)	1.116 (28.35)	0.103 (2.62)	✉
M83528/013C030	816-2937	2.449 (62.20)	1.449 (36.80)	0.139 (3.53)	✉
M83528/013C037	816-2938	3.451 (87.66)	1.951 (49.56)	0.139 (3.53)	✉

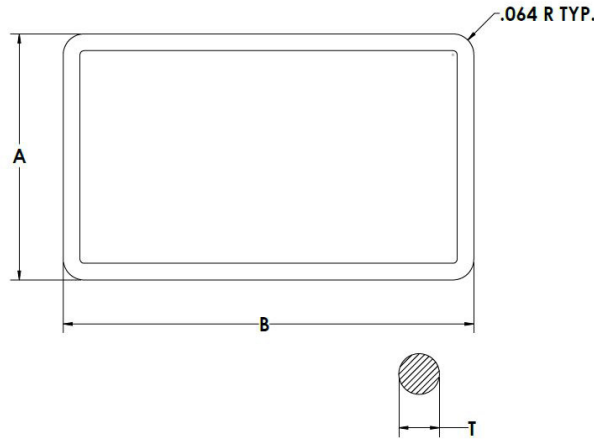
**Material 815D – Molded Rectangular O Cross-Section**

[Material 815D Data Sheet](#)

MIL SPEC No.	NJB Part No.	Dimension A (mm)	Dimension B (mm)	Thickness (mm)	RFQ or Information
M83528/013D013	815-2934	0.991 (25.17)	0.991 (25.17)	0.103 (2.62)	✉
M83528/013D018	815-2935	0.991 (25.17)	0.991 (25.17)	0.103 (2.62)	✉
M83528/013D023	815-2936	1.866 (41.05)	1.116 (28.35)	0.103 (2.62)	✉
M83528/013D030	815-2937	2.449 (62.20)	1.449 (36.80)	0.139 (3.53)	✉
M83528/013D037	815-2938	3.451 (87.66)	1.951 (49.56)	0.139 (3.53)	✉

**GO TO REC. O CROSS-SECTION MATERIAL**

- [806A Silver Copper Silicone, 65 Duro](#)
- [805B Silver Aluminum Silicone](#)
- [816C Silver Copper Fluorosilicone](#)
- [815D Silver Aluminum Fluorosilicone](#)
- [808E Pure Silver Silicone, 65 Duro](#)
- [818F Pure Silver Fluorosilicone](#)
- [808H Pure Silver Silicone, 80 Duro](#)
- [806K Silver Copper Silicone, 85 Duro](#)
- [804L Silver Nickel Silicone](#)
- [803M Silver Glass Silicone](#)
- [801 Carbon Silicone](#)
- [802 Nickel Graphite Silicone](#)
- [812 Nickel Graphite Fluorosilicone](#)



- O-RINGS
- D-RINGS
- WASHERS
- WAVE GUIDES
  - Die Cut Sq. Rectangular
  - Die Cut Circular
  - Molded Rec. O X-Section
  - Molded Rec. D X-Section

**Material 808E – Molded Rectangular O Cross-Section**

[Material 808E Data Sheet](#)

MIL SPEC No.	NJB Part No.	Dimension A (mm)	Dimension B (mm)	Thickness (mm)	RFQ or Information
M83528/013E013	808E-2934	0.991 (25.17)	0.991 (25.17)	0.103 (2.62)	<a href="#">✉</a>
M83528/013E018	808E-2935	0.991 (25.17)	0.991 (25.17)	0.103 (2.62)	<a href="#">✉</a>
M83528/013E023	808E-2936	1.866 (41.05)	1.116 (28.35)	0.103 (2.62)	<a href="#">✉</a>
M83528/013E030	808E-2937	2.449 (62.20)	1.449 (36.80)	0.139 (3.53)	<a href="#">✉</a>
M83528/013E037	808E-2938	3.451 (87.66)	1.951 (49.56)	0.139 (3.53)	<a href="#">✉</a>

**Material 818F – Molded Rectangular O Cross-Section**

[Material 818F Data Sheet](#)

MIL SPEC No.	NJB Part No.	Dimension A (mm)	Dimension B (mm)	Thickness (mm)	RFQ or Information
M83528/013F013	818-2934	0.991 (25.17)	0.991 (25.17)	0.103 (2.62)	<a href="#">✉</a>
M83528/013F018	818-2935	0.991 (25.17)	0.991 (25.17)	0.103 (2.62)	<a href="#">✉</a>
M83528/013F023	818-2936	1.866 (41.05)	1.116 (28.35)	0.103 (2.62)	<a href="#">✉</a>
M83528/013F030	818-2937	2.449 (62.20)	1.449 (36.80)	0.139 (3.53)	<a href="#">✉</a>
M83528/013F037	818-2938	3.451 (87.66)	1.951 (49.56)	0.139 (3.53)	<a href="#">✉</a>

**Material 808H – Molded Rectangular O Cross-Section**

[Material 808H Data Sheet](#)

MIL SPEC No.	NJB Part No.	Dimension A (mm)	Dimension B (mm)	Thickness (mm)	RFQ or Information
M83528/013H013	808H-2934	0.991 (25.17)	0.991 (25.17)	0.103 (2.62)	<a href="#">✉</a>
M83528/013H018	808H-2935	0.991 (25.17)	0.991 (25.17)	0.103 (2.62)	<a href="#">✉</a>
M83528/013H023	808H-2936	1.866 (41.05)	1.116 (28.35)	0.103 (2.62)	<a href="#">✉</a>
M83528/013H030	808H-2937	2.449 (62.20)	1.449 (36.80)	0.139 (3.53)	<a href="#">✉</a>
M83528/013H037	808H-2938	3.451 (87.66)	1.951 (49.56)	0.139 (3.53)	<a href="#">✉</a>

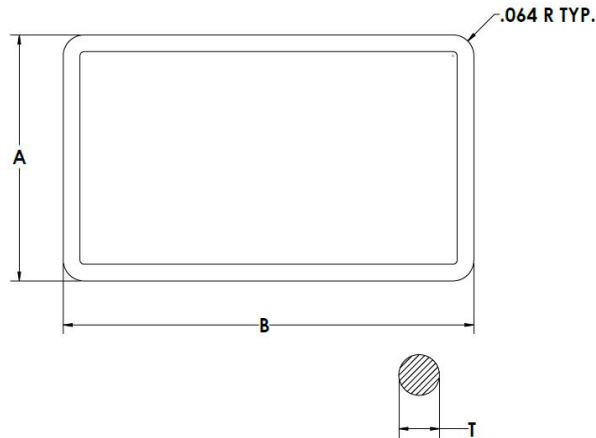
**Material 806K – Molded Rectangular O Cross-Section**

[Material 806K Data Sheet](#)

MIL SPEC No.	NJB Part No.	Dimension A (mm)	Dimension B (mm)	Thickness (mm)	RFQ or Information
M83528/013K013	806K-2934	0.991 (25.17)	0.991 (25.17)	0.103 (2.62)	<a href="#">✉</a>
M83528/013K018	806K-2935	0.991 (25.17)	0.991 (25.17)	0.103 (2.62)	<a href="#">✉</a>
M83528/013K023	806K-2936	1.866 (41.05)	1.116 (28.35)	0.103 (2.62)	<a href="#">✉</a>
M83528/013K030	806K-2937	2.449 (62.20)	1.449 (36.80)	0.139 (3.53)	<a href="#">✉</a>
M83528/013K037	806K-2938	3.451 (87.66)	1.951 (49.56)	0.139 (3.53)	<a href="#">✉</a>

### GO TO REC. O CROSS-SECTION MATERIAL

- [806A Silver Copper Silicone, 65 Duro](#)
- [805B Silver Aluminum Silicone](#)
- [816C Silver Copper Fluorosilicone](#)
- [815D Silver Aluminum Fluorosilicone](#)
- [808E Pure Silver Silicone, 65 Duro](#)
- [818F Pure Silver Fluorosilicone](#)
- [808H Pure Silver Silicone, 80 Duro](#)
- [806K Silver Copper Silicone, 85 Duro](#)
- 804L Silver Nickel Silicone**
- 803M Silver Glass Silicone**
- [801 Carbon Silicone](#)
- [802 Nickel Graphite Silicone](#)
- [812 Nickel Graphite Fluorosilicone](#)



- O-RINGS
- D-RINGS
- FLAT WASHERS
- WAVE GUIDES
  - Die Cut Sq. Rectangular
  - Die Cut Circular
  - Molded Rec. O X-Section
  - Molded Rec. D X-Section

### Material 804L – Molded Rectangular O Cross-Section

[Material 804L Data Sheet](#)

MIL SPEC No.	NJB Part No.	Dimension A (mm)	Dimension B (mm)	Thickness (mm)	RFQ or Information
M83528/013L013	804-2934	0.991 (25.17)	0.991 (25.17)	0.103 (2.62)	
M83528/013L018	804-2935	0.991 (25.17)	0.991 (25.17)	0.103 (2.62)	
M83528/013L023	804-2936	1.866 (41.05)	1.116 (28.35)	0.103 (2.62)	
M83528/013L030	804-2937	2.449 (62.20)	1.449 (36.80)	0.139 (3.53)	
M83528/013L037	804-2938	3.451 (87.66)	1.951 (49.56)	0.139 (3.53)	

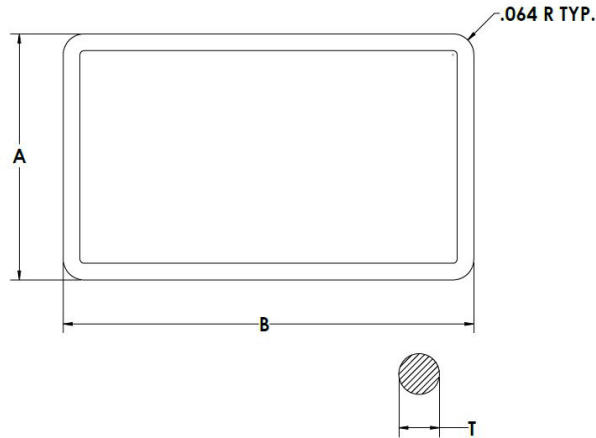
### Material 803M – Molded Rectangular O Cross-Section

[Material 803M Data Sheet](#)

MIL SPEC No.	NJB Part No.	Dimension A (mm)	Dimension B (mm)	Thickness (mm)	RFQ or Information
M83528/013L013	803-2934	0.991 (25.17)	0.991 (25.17)	0.103 (2.62)	
M83528/013L018	803-2935	0.991 (25.17)	0.991 (25.17)	0.103 (2.62)	
M83528/013L023	803-2936	1.866 (41.05)	1.116 (28.35)	0.103 (2.62)	
M83528/013L030	803-2937	2.449 (62.20)	1.449 (36.80)	0.139 (3.53)	
M83528/013L037	803-2938	3.451 (87.66)	1.951 (49.56)	0.139 (3.53)	

### GO TO REC. O CROSS-SECTION MATERIAL

- [806A Silver Copper Silicone, 65 Duro](#)
- [805B Silver Aluminum Silicone](#)
- [816C Silver Copper Fluorosilicone](#)
- [815D Silver Aluminum Fluorosilicone](#)
- [808E Pure Silver Silicone, 65 Duro](#)
- [818F Pure Silver Fluorosilicone](#)
- [808H Pure Silver Silicone, 80 Duro](#)
- [806K Silver Copper Silicone, 85 Duro](#)
- [804L Silver Nickel Silicone](#)
- [803M Silver Glass Silicone](#)
- [801 Carbon Silicone](#)
- [802 Nickel Graphite Silicone](#)
- [812 Nickel Graphite Fluorosilicone](#)



- O-RINGS
- D-RINGS
- WASHERS
- WAVE GUIDES
  - Die Cut Sq. Rectangular
  - Die Cut Circular
  - Molded Rec. O X-Section
  - Molded Rec. D X-Section

### Material 801 – Molded Rectangular O Cross-Section

[Material 801 Data Sheet](#)

MIL SPEC No.	NJB Part No.	Dimension A (mm)	Dimension B (mm)	Thickness (mm)	RFQ or Information
N/A	801-2934	0.991 (25.17)	0.991 (25.17)	0.103 (2.62)	<input type="checkbox"/>
N/A	801-2935	0.991 (25.17)	0.991 (25.17)	0.103 (2.62)	<input type="checkbox"/>
N/A	801-2936	1.866 (41.05)	1.116 (28.35)	0.103 (2.62)	<input type="checkbox"/>
N/A	801-2937	2.449 (62.20)	1.449 (36.80)	0.139 (3.53)	<input type="checkbox"/>
N/A	801-2938	3.451 (87.66)	1.951 (49.56)	0.139 (3.53)	<input type="checkbox"/>

### Material 802 – Molded Rectangular O Cross-Section

[Material 802 Data Sheet](#)

MIL SPEC No.	NJB Part No.	Dimension A (mm)	Dimension B (mm)	Thickness (mm)	RFQ or Information
N/A	802-2934	0.991 (25.17)	0.991 (25.17)	0.103 (2.62)	<input type="checkbox"/>
N/A	802-2935	0.991 (25.17)	0.991 (25.17)	0.103 (2.62)	<input type="checkbox"/>
N/A	802-2936	1.866 (41.05)	1.116 (28.35)	0.103 (2.62)	<input type="checkbox"/>
N/A	802-2937	2.449 (62.20)	1.449 (36.80)	0.139 (3.53)	<input type="checkbox"/>
N/A	802-2938	3.451 (87.66)	1.951 (49.56)	0.139 (3.53)	<input type="checkbox"/>

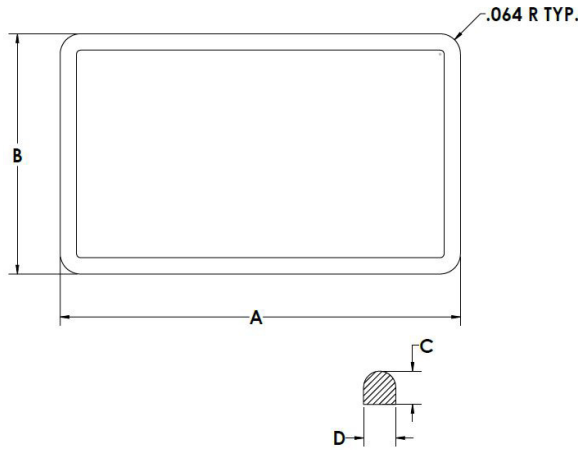
### Material 812 – Molded Rectangular O Cross-Section

[Material 812 Data Sheet](#)

MIL SPEC No.	NJB Part No.	Dimension A (mm)	Dimension B (mm)	Thickness (mm)	RFQ or Information
N/A	812-2934	0.991 (25.17)	0.991 (25.17)	0.103 (2.62)	<input type="checkbox"/>
N/A	812-2935	0.991 (25.17)	0.991 (25.17)	0.103 (2.62)	<input type="checkbox"/>
N/A	812-2936	1.866 (41.05)	1.116 (28.35)	0.103 (2.62)	<input type="checkbox"/>
N/A	812-2937	2.449 (62.20)	1.449 (36.80)	0.139 (3.53)	<input type="checkbox"/>
N/A	812-2938	3.451 (87.66)	1.951 (49.56)	0.139 (3.53)	<input type="checkbox"/>

**GO TO REC. D CROSS SECTION MATERIAL**

- [806A Silver Copper Silicone, 65 Duro](#)
- [805B Silver Aluminum Silicone](#)
- [816C Silver Copper Fluorosilicone](#)
- [815D Silver Aluminum Fluorosilicone](#)
- [808E Pure Silver Silicone, 65 Duro](#)
- [818F Pure Silver Fluorosilicone](#)
- [808H Pure Silver Silicone, 80 Duro](#)
- [806K Silver Copper Silicone, 85 Duro](#)
- [804L Silver Nickel Silicone](#)
- [803M Silver Glass Silicone](#)
- [801 Carbon Silicone](#)
- [802 Nickel Graphite Silicone](#)
- [812 Nickel Graphite Fluorosilicone](#)



- O-RINGS
  - D-RINGS
  - FLAT WASHERS
  - WAVE GUIDES
- Die Cut Sq. Rectangular  
Die Cut Circular  
Molded Rec. O X-Section  
Molded Rec. D X-Section

**Material 806A – Molded Rec. D Cross-Section**

[Material 806A Data Sheet](#)

MIL SPEC No.	NJB Part No.	Dimension A (mm)	Dimension B (mm)	Dimension C (mm)	Dimension D (mm)	RFQ or Information
M83528/006A001	806A-2840	0.988 (0.039)	0.29 (0.011)	0.083 (0.003)	0.127 (0.005)	✉
M83528/006A002	806A-2841	0.988 (0.039)	0.49 (0.019)	0.083 (0.003)	0.127 (0.005)	✉
M83528/006A003	806A-2842	3.000 (0.118)	0.83 (0.033)	0.083 (0.003)	0.127 (0.005)	✉
M83528/006A004	806A-2843	5.280 (0.208)	1.34 (0.053)	0.083 (0.003)	0.127 (0.005)	✉
M83528/006A005	806A-2844	2.980 (0.117)	1.48 (0.058)	0.125 (0.005)	0.127 (0.005)	✉

**Material 805B – Molded Rec. D Cross-Section**

[Material 805B Data Sheet](#)

MIL SPEC No.	NJB Part No.	Dimension A (mm)	Dimension B (mm)	Dimension C (mm)	Dimension D (mm)	RFQ or Information
M83528/006B001	805-2840	0.988 (0.039)	0.29 (0.011)	0.083 (0.003)	0.127 (0.005)	✉
M83528/006B002	805-2841	0.988 (0.039)	0.49 (0.019)	0.083 (0.003)	0.127 (0.005)	✉
M83528/006B003	805-2842	3.000 (0.118)	0.83 (0.033)	0.083 (0.003)	0.127 (0.005)	✉
M83528/006B004	805-2843	5.280 (0.208)	1.34 (0.053)	0.083 (0.003)	0.127 (0.005)	✉
M83528/006B005	805-2844	2.980 (0.117)	1.48 (0.058)	0.125 (0.005)	0.127 (0.005)	✉

**Material 816C – Molded Rec. D Cross-Section**

[Material 816C Data Sheet](#)

MIL SPEC No.	NJB Part No.	Dimension A (mm)	Dimension B (mm)	Dimension C (mm)	Dimension D (mm)	RFQ or Information
M83528/006C001	816-2840	0.988 (0.039)	0.29 (0.011)	0.083 (0.003)	0.127 (0.005)	✉
M83528/006C002	816-2841	0.988 (0.039)	0.49 (0.019)	0.083 (0.003)	0.127 (0.005)	✉
M83528/006C003	816-2842	3.000 (0.118)	0.83 (0.033)	0.083 (0.003)	0.127 (0.005)	✉
M83528/006C004	816-2843	5.280 (0.208)	1.34 (0.053)	0.083 (0.003)	0.127 (0.005)	✉
M83528/006C005	816-2844	2.980 (0.117)	1.48 (0.058)	0.125 (0.005)	0.127 (0.005)	✉

**Material 815D – Molded Rec. D Cross-Section**

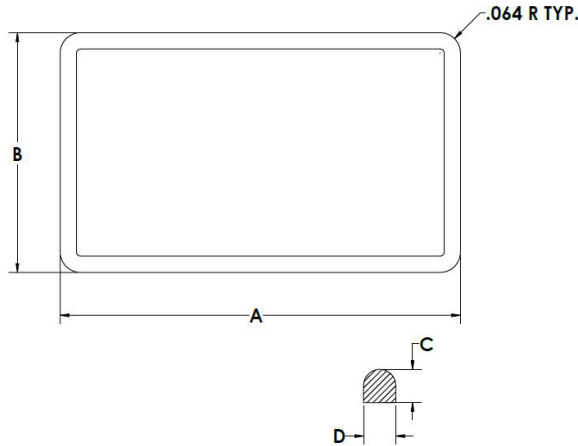
[Material 815D Data Sheet](#)

MIL SPEC No.	NJB Part No.	Dimension A (mm)	Dimension B (mm)	Dimension C (mm)	Dimension D (mm)	RFQ or Information
M83528/006D001	815-2840	0.988 (0.039)	0.29 (0.011)	0.083 (0.003)	0.127 (0.005)	✉
M83528/006D002	815-2841	0.988 (0.039)	0.49 (0.019)	0.083 (0.003)	0.127 (0.005)	✉
M83528/006D003	815-2842	3.000 (0.118)	0.83 (0.033)	0.083 (0.003)	0.127 (0.005)	✉
M83528/006D004	815-2843	5.280 (0.208)	1.34 (0.053)	0.083 (0.003)	0.127 (0.005)	✉
M83528/006D005	815-2844	2.980 (0.117)	1.48 (0.058)	0.125 (0.005)	0.127 (0.005)	✉



**GO TO REC. D CROSS SECTION MATERIAL**

- [806A Silver Copper Silicone, 65 Duro](#)
- [805B Silver Aluminum Silicone](#)
- [816C Silver Copper Fluorosilicone](#)
- [815D Silver Aluminum Fluorosilicone](#)
- [808E Pure Silver Silicone, 65 Duro](#)
- [818F Pure Silver Fluorosilicone](#)
- [808H Pure Silver Silicone, 80 Duro](#)
- [806K Silver Copper Silicone, 85 Duro](#)
- [804L Silver Nickel Silicone](#)
- [803M Silver Glass Silicone](#)
- [801 Carbon Silicone](#)
- [802 Nickel Graphite Silicone](#)
- [812 Nickel Graphite Fluorosilicone](#)



- O-RINGS
- D-RINGS
- WASHERS
- WAVE GUIDES
  - Die Cut Sq. Rectangular
  - Die Cut Circular
  - Molded Rec. O X-Section
  - Molded Rec. D X-Section

**Material 808E – Molded Rec. D Cross-Section**

[Material 808E Data Sheet](#)

MIL SPEC No.	NJB Part No.	Dimension A (mm)	Dimension B (mm)	Dimension C (mm)	Dimension D (mm)	RFQ or Information
M83528/006E001	808E-2840	0.988 (0.039)	0.29 (0.011)	0.083 (0.003)	0.127 (0.005)	<input type="checkbox"/>
M83528/006E002	808E-2841	0.988 (0.039)	0.49 (0.019)	0.083 (0.003)	0.127 (0.005)	<input type="checkbox"/>
M83528/006E003	808E-2842	3.000 (0.118)	0.83 (0.033)	0.083 (0.003)	0.127 (0.005)	<input type="checkbox"/>
M83528/006E004	808E-2843	5.280 (0.208)	1.34 (0.053)	0.083 (0.003)	0.127 (0.005)	<input type="checkbox"/>
M83528/006E005	808E-2844	2.980 (0.117)	1.48 (0.058)	0.125 (0.005)	0.127 (0.005)	<input type="checkbox"/>

**Material 818F – Molded Rec. D Cross-Section**

[Material 818F Data Sheet](#)

MIL SPEC No.	NJB Part No.	Dimension A (mm)	Dimension B (mm)	Dimension C (mm)	Dimension D (mm)	RFQ or Information
M83528/006F001	818-2840	0.988 (0.039)	0.29 (0.011)	0.083 (0.003)	0.127 (0.005)	<input type="checkbox"/>
M83528/006F002	818-2841	0.988 (0.039)	0.49 (0.019)	0.083 (0.003)	0.127 (0.005)	<input type="checkbox"/>
M83528/006F003	818-2842	3.000 (0.118)	0.83 (0.033)	0.083 (0.003)	0.127 (0.005)	<input type="checkbox"/>
M83528/006F004	818-2843	5.280 (0.208)	1.34 (0.053)	0.083 (0.003)	0.127 (0.005)	<input type="checkbox"/>
M83528/006F005	818-2844	2.980 (0.117)	1.48 (0.058)	0.125 (0.005)	0.127 (0.005)	<input type="checkbox"/>

**Material 808H – Molded Rec. D Cross-Section**

[Material 808H Data Sheet](#)

MIL SPEC No.	NJB Part No.	Dimension A (mm)	Dimension B (mm)	Dimension C (mm)	Dimension D (mm)	RFQ or Information
M83528/006H001	808H-2840	0.988 (0.039)	0.29 (0.011)	0.083 (0.003)	0.127 (0.005)	<input type="checkbox"/>
M83528/006H002	808H-2841	0.988 (0.039)	0.49 (0.019)	0.083 (0.003)	0.127 (0.005)	<input type="checkbox"/>
M83528/006H003	808H-2842	3.000 (0.118)	0.83 (0.033)	0.083 (0.003)	0.127 (0.005)	<input type="checkbox"/>
M83528/006H004	808H-2843	5.280 (0.208)	1.34 (0.053)	0.083 (0.003)	0.127 (0.005)	<input type="checkbox"/>
M83528/006H005	808H-2844	2.980 (0.117)	1.48 (0.058)	0.125 (0.005)	0.127 (0.005)	<input type="checkbox"/>

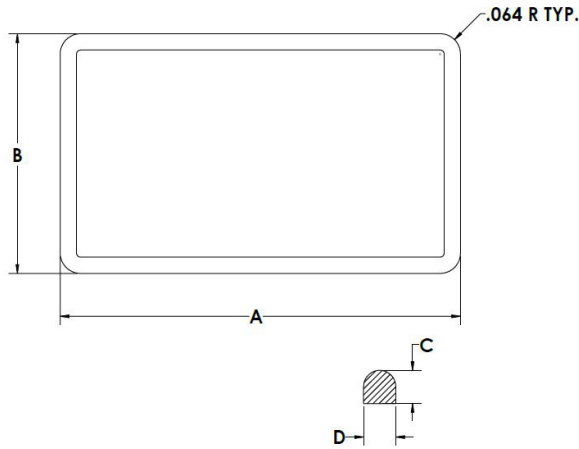
**Material 806K – Molded Rec. D Cross-Section**

[Material 806K Data Sheet](#)

MIL SPEC No.	NJB Part No.	Dimension A (mm)	Dimension B (mm)	Dimension C (mm)	Dimension D (mm)	RFQ or Information
M83528/006K001	806K-2840	0.988 (0.039)	0.29 (0.011)	0.083 (0.003)	0.127 (0.005)	<input type="checkbox"/>
M83528/006K002	806K-2841	0.988 (0.039)	0.49 (0.019)	0.083 (0.003)	0.127 (0.005)	<input type="checkbox"/>
M83528/006K003	806K-2842	3.000 (0.118)	0.83 (0.033)	0.083 (0.003)	0.127 (0.005)	<input type="checkbox"/>
M83528/006K004	806K-2843	5.280 (0.208)	1.34 (0.053)	0.083 (0.003)	0.127 (0.005)	<input type="checkbox"/>
M83528/006K005	806K-2844	2.980 (0.117)	1.48 (0.058)	0.125 (0.005)	0.127 (0.005)	<input type="checkbox"/>

**GO TO REC. D CROSS SECTION MATERIAL**

- [806A Silver Copper Silicone, 65 Duro](#)
- [805B Silver Aluminum Silicone](#)
- [816C Silver Copper Fluorosilicone](#)
- [815D Silver Aluminum Fluorosilicone](#)
- [808E Pure Silver Silicone, 65 Duro](#)
- [818F Pure Silver Fluorosilicone](#)
- [808H Pure Silver Silicone, 80 Duro](#)
- [806K Silver Copper Silicone, 85 Duro](#)
- 804L Silver Nickel Silicone**
- 803M Silver Glass Silicone**
- [801 Carbon Silicone](#)
- [802 Nickel Graphite Silicone](#)
- [812 Nickel Graphite Fluorosilicone](#)



- O-RINGS
- D-RINGS
- FLAT WASHERS
- WAVE GUIDES**
  - Die Cut Sq. Rectangular
  - Die Cut Circular
  - Molded Rec. O X-Section
  - Molded Rec. D X-Section

**Material 804L – Molded Rec. D Cross-Section**

[Material 804L Data Sheet](#)

MIL SPEC No.	NJB Part No.	Dimension A (mm)	Dimension B (mm)	Dimension C (mm)	Dimension D (mm)	RFQ or Information
M83528/006L001	804-2840	0.988 (0.039)	0.29 (0.011)	0.083 (0.003)	0.127 (0.005)	
M83528/006L002	804-2841	0.988 (0.039)	0.49 (0.019)	0.083 (0.003)	0.127 (0.005)	
M83528/006L003	804-2842	3.000 (0.118)	0.83 (0.033)	0.083 (0.003)	0.127 (0.005)	
M83528/006L004	804-2843	5.280 (0.208)	1.34 (0.053)	0.083 (0.003)	0.127 (0.005)	
M83528/006L005	804-2844	2.980 (0.117)	1.48 (0.058)	0.125 (0.005)	0.127 (0.005)	

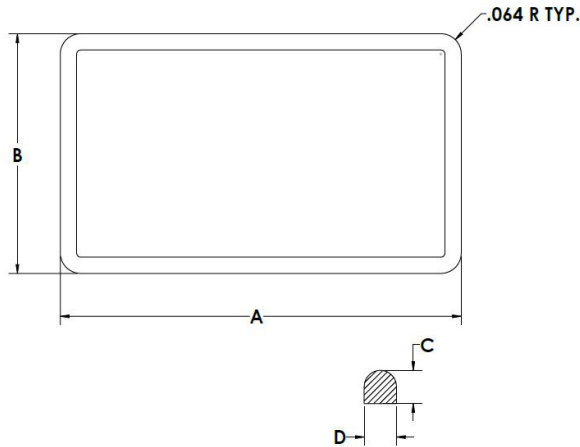
**Material 803M – Molded Rec. D Cross-Section**

[Material 803M Data Sheet](#)

MIL SPEC No.	NJB Part No.	Dimension A (mm)	Dimension B (mm)	Dimension C (mm)	Dimension D (mm)	RFQ or Information
M83528/006M001	803-2840	0.988 (0.039)	0.29 (0.011)	0.083 (0.003)	0.127 (0.005)	
M83528/006M002	803-2841	0.988 (0.039)	0.49 (0.019)	0.083 (0.003)	0.127 (0.005)	
M83528/006M003	803-2842	3.000 (0.118)	0.83 (0.033)	0.083 (0.003)	0.127 (0.005)	
M83528/006M004	803-2843	5.280 (0.208)	1.34 (0.053)	0.083 (0.003)	0.127 (0.005)	
M83528/006M005	803-2844	2.980 (0.117)	1.48 (0.058)	0.125 (0.005)	0.127 (0.005)	

**GO TO REC. D CROSS SECTION MATERIAL**

- [806A Silver Copper Silicone, 65 Duro](#)
- [805B Silver Aluminum Silicone](#)
- [816C Silver Copper Fluorosilicone](#)
- [815D Silver Aluminum Fluorosilicone](#)
- [808E Pure Silver Silicone, 65 Duro](#)
- [818F Pure Silver Fluorosilicone](#)
- [808H Pure Silver Silicone, 80 Duro](#)
- [806K Silver Copper Silicone, 85 Duro](#)
- [804L Silver Nickel Silicone](#)
- [803M Silver Glass Silicone](#)
- [801 Carbon Silicone](#)
- [802 Nickel Graphite Silicone](#)
- [812 Nickel Graphite Fluorosilicone](#)



- O-RINGS
- D-RINGS
- WASHERS
- WAVE GUIDES
  - Die Cut Sq. Rectangular
  - Die Cut Circular
  - Molded Rec. O X-Section
  - Molded Rec. D X-Section

**Material 801 – Molded Rec. D Cross-Section**

[Material 801 Data Sheet](#)

MIL SPEC No.	NJB Part No.	Dimension A (mm)	Dimension B (mm)	Dimension C (mm)	Dimension D (mm)	RFQ or Information
N/A	801-2840	0.988 (0.039)	0.29 (0.011)	0.083 (0.003)	0.127 (0.005)	✉
N/A	801-2841	0.988 (0.039)	0.49 (0.019)	0.083 (0.003)	0.127 (0.005)	✉
N/A	801-2842	3.000 (0.118)	0.83 (0.033)	0.083 (0.003)	0.127 (0.005)	✉
N/A	801-2843	5.280 (0.208)	1.34 (0.053)	0.083 (0.003)	0.127 (0.005)	✉
N/A	801-2844	2.980 (0.117)	1.48 (0.058)	0.125 (0.005)	0.127 (0.005)	✉

**Material 802 – Molded Rec. D Cross-Section**

[Material 802 Data Sheet](#)

MIL SPEC No.	NJB Part No.	Dimension A (mm)	Dimension B (mm)	Dimension C (mm)	Dimension D (mm)	RFQ or Information
N/A	802-2840	0.988 (0.039)	0.29 (0.011)	0.083 (0.003)	0.127 (0.005)	✉
N/A	802-2841	0.988 (0.039)	0.49 (0.019)	0.083 (0.003)	0.127 (0.005)	✉
N/A	802-2842	3.000 (0.118)	0.83 (0.033)	0.083 (0.003)	0.127 (0.005)	✉
N/A	802-2843	5.280 (0.208)	1.34 (0.053)	0.083 (0.003)	0.127 (0.005)	✉
N/A	802-2844	2.980 (0.117)	1.48 (0.058)	0.125 (0.005)	0.127 (0.005)	✉

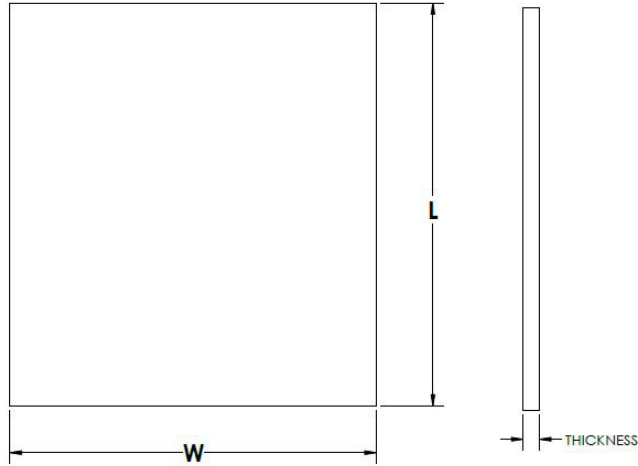
**Material 812 – Molded Rec. D Cross-Section**

[Material 812 Data Sheet](#)

MIL SPEC No.	NJB Part No.	Dimension A (mm)	Dimension B (mm)	Dimension C (mm)	Dimension D (mm)	RFQ or Information
N/A	812-2840	0.988 (0.039)	0.29 (0.011)	0.083 (0.003)	0.127 (0.005)	✉
N/A	812-2841	0.988 (0.039)	0.49 (0.019)	0.083 (0.003)	0.127 (0.005)	✉
N/A	812-2842	3.000 (0.118)	0.83 (0.033)	0.083 (0.003)	0.127 (0.005)	✉
N/A	812-2843	5.280 (0.208)	1.34 (0.053)	0.083 (0.003)	0.127 (0.005)	✉
N/A	812-2844	2.980 (0.117)	1.48 (0.058)	0.125 (0.005)	0.127 (0.005)	✉

**GO TO STANDARD SHEET MATERIAL**

- [806A Silver Copper Silicone, 65 Duro](#)
- [805B Silver Aluminum Silicone](#)
- [816C Silver Copper Fluorosilicone](#)
- [815D Silver Aluminum Fluorosilicone](#)
- [808E Pure Silver Silicone, 65 Duro](#)
- [818F Pure Silver Fluorosilicone](#)
- [808H Pure Silver Silicone, 80 Duro](#)
- [806K Silver Copper Silicone, 85 Duro](#)
- [804L Silver Nickel Silicone](#)
- [803M Silver Glass Silicone](#)
- [801 Carbon Silicone](#)
- [802 Nickel Graphite Silicone](#)
- [812 Nickel Graphite Fluorosilicone](#)



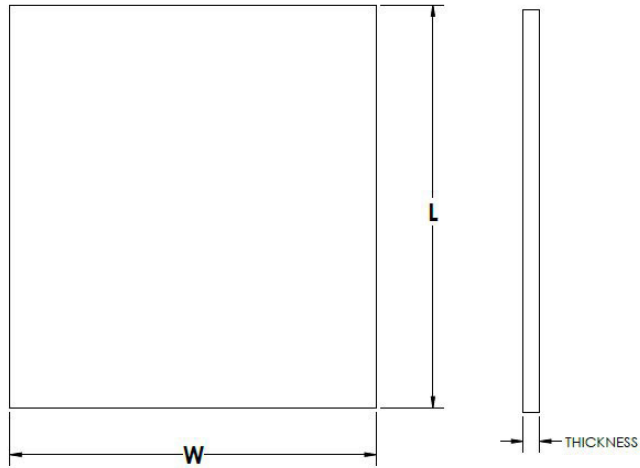
**Material 806A – Standard Sheets**

**Material 806A Data Sheet**

MIL SPEC No.	NJB Part No.	Dimension A Width (mm)	Dimension B Length (mm)	Dimension C Thickness (mm)	RFQ or Information
M83528/015A020-1010	806A-0101	10 (0.394)	10 (0.394)	0.020 (0.001)	<input type="checkbox"/>
M83528/015A032-1010	806A-0102	10 (0.394)	10 (0.394)	0.032 (0.001)	<input type="checkbox"/>
M83528/015A062-1010	806A-0103	10 (0.394)	10 (0.394)	0.062 (0.002)	<input type="checkbox"/>
M83528/015A093-1010	806A-0104	10 (0.394)	10 (0.394)	0.093 (0.004)	<input type="checkbox"/>
M83528/015A125-1010	806A-0105	10 (0.394)	10 (0.394)	0.125 (0.005)	<input type="checkbox"/>
M83528/015A020-1212	806A-0106	12 (0.472)	12 (0.472)	0.020 (0.001)	<input type="checkbox"/>
M83528/015A032-1212	806A-0107	12 (0.472)	12 (0.472)	0.032 (0.001)	<input type="checkbox"/>
M83528/015A062-1212	806A-0108	12 (0.472)	12 (0.472)	0.062 (0.002)	<input type="checkbox"/>
M83528/015A093-1212	806A-0109	12 (0.472)	12 (0.472)	0.093 (0.004)	<input type="checkbox"/>
M83528/015A125-1212	806A-0110	12 (0.472)	12 (0.472)	0.125 (0.005)	<input type="checkbox"/>
M83528/015A020-1520	806A-0111	15 (0.591)	20 (0.787)	0.020 (0.001)	<input type="checkbox"/>
M83528/015A032-1520	806A-0112	15 (0.591)	20 (0.787)	0.032 (0.001)	<input type="checkbox"/>
M83528/015A062-1520	806A-0113	15 (0.591)	20 (0.787)	0.062 (0.002)	<input type="checkbox"/>
M83528/015A093-1520	806A-0114	15 (0.591)	20 (0.787)	0.093 (0.004)	<input type="checkbox"/>
M83528/015A125-1520	806A-0115	15 (0.591)	20 (0.787)	0.125 (0.005)	<input type="checkbox"/>
M83528/015A020-178205	806A-0116	17.8 (0.701)	20.5 (0.807)	0.020 (0.001)	<input type="checkbox"/>
M83528/015A032-178205	806A-0117	17.8 (0.701)	20.5 (0.807)	0.032 (0.001)	<input type="checkbox"/>
M83528/015A062-178205	806A-0118	17.8 (0.701)	20.5 (0.807)	0.062 (0.002)	<input type="checkbox"/>
M83528/015A093-178205	806A-0119	17.8 (0.701)	20.5 (0.807)	0.093 (0.004)	<input type="checkbox"/>
M83528/015A125-178205	806A-0120	17.8 (0.701)	20.5 (0.807)	0.125 (0.005)	<input type="checkbox"/>

**GO TO STANDARD SHEET MATERIAL**

- [806A Silver Copper Silicone, 65 Duro](#)
- [805B Silver Aluminum Silicone](#)
- [816C Silver Copper Fluorosilicone](#)
- [815D Silver Aluminum Fluorosilicone](#)
- [808E Pure Silver Silicone, 65 Duro](#)
- [818F Pure Silver Fluorosilicone](#)
- [808H Pure Silver Silicone, 80 Duro](#)
- [806K Silver Copper Silicone, 85 Duro](#)
- [804L Silver Nickel Silicone](#)
- [803M Silver Glass Silicone](#)
- [801 Carbon Silicone](#)
- [802 Nickel Graphite Silicone](#)
- [812 Nickel Graphite Fluorosilicone](#)



**Material 806A – Standard Sheets**

[Material 806A Data Sheet](#)

MIL SPEC No.	NJB Part No.	Dimension A Width (mm)	Dimension B Length (mm)	Dimension C Thickness (mm)	RFQ or Information
M83528/015A027-1010	806A-0121	10 (0.394)	10 (0.394)	0.027 (0.001)	<input type="checkbox"/>
M83528/015A030-1010	806A-0122	10 (0.394)	10 (0.394)	0.030 (0.001)	<input type="checkbox"/>
M83528/015A027-1010	806A-0123	10 (0.394)	10 (0.394)	0.040 (0.002)	<input type="checkbox"/>
M83528/015A027-1010	806A-0124	10 (0.394)	10 (0.394)	0.047 (0.002)	<input type="checkbox"/>
M83528/015A027-1010	806A-0125	10 (0.394)	10 (0.394)	0.060 (0.002)	<input type="checkbox"/>
M83528/015A027-1212	806A-0126	12 (0.472)	12 (0.472)	0.027 (0.001)	<input type="checkbox"/>
M83528/015A030-1212	806A-0127	12 (0.472)	12 (0.472)	0.030 (0.001)	<input type="checkbox"/>
M83528/015A027-1212	806A-0128	12 (0.472)	12 (0.472)	0.040 (0.002)	<input type="checkbox"/>
M83528/015A027-1212	806A-0129	12 (0.472)	12 (0.472)	0.047 (0.002)	<input type="checkbox"/>
M83528/015A027-1212	806A-0130	12 (0.472)	12 (0.472)	0.060 (0.002)	<input type="checkbox"/>
M83528/015A027-1520	806A-0131	15 (0.591)	20 (0.787)	0.027 (0.001)	<input type="checkbox"/>
M83528/015A030-1520	806A-0132	15 (0.591)	20 (0.787)	0.030 (0.001)	<input type="checkbox"/>
M83528/015A027-1520	806A-0133	15 (0.591)	20 (0.787)	0.040 (0.002)	<input type="checkbox"/>
M83528/015A027-1520	806A-0134	15 (0.591)	20 (0.787)	0.047 (0.002)	<input type="checkbox"/>
M83528/015A027-1520	806A-0135	15 (0.591)	20 (0.787)	0.060 (0.002)	<input type="checkbox"/>
M83528/015A027-178205	806A-0136	17.8 (0.701)	20.5 (0.807)	0.027 (0.001)	<input type="checkbox"/>
M83528/015A030-178205	806A-0137	17.8 (0.701)	20.5 (0.807)	0.030 (0.001)	<input type="checkbox"/>
M83528/015A027-178205	806A-0138	17.8 (0.701)	20.5 (0.807)	0.040 (0.002)	<input type="checkbox"/>
M83528/015A027-178205	806A-0139	17.8 (0.701)	20.5 (0.807)	0.047 (0.002)	<input type="checkbox"/>
M83528/015A027-178205	806A-0140	17.8 (0.701)	20.5 (0.807)	0.060 (0.002)	<input type="checkbox"/>

[\[page 1 of 3\]](#) [\[page 2 of 3\]](#) [\[page 3 of 3\]](#)

**GO TO STANDARD SHEET MATERIAL**

- [806A Silver Copper Silicone, 65 Duro](#)
- [805B Silver Aluminum Silicone](#)
- [816C Silver Copper Fluorosilicone](#)
- [815D Silver Aluminum Fluorosilicone](#)
- [808E Pure Silver Silicone, 65 Duro](#)
- [818F Pure Silver Fluorosilicone](#)
- [808H Pure Silver Silicone, 80 Duro](#)
- [806K Silver Copper Silicone, 85 Duro](#)
- [804L Silver Nickel Silicone](#)
- [803M Silver Glass Silicone](#)
- [801 Carbon Silicone](#)
- [802 Nickel Graphite Silicone](#)
- [812 Nickel Graphite Fluorosilicone](#)



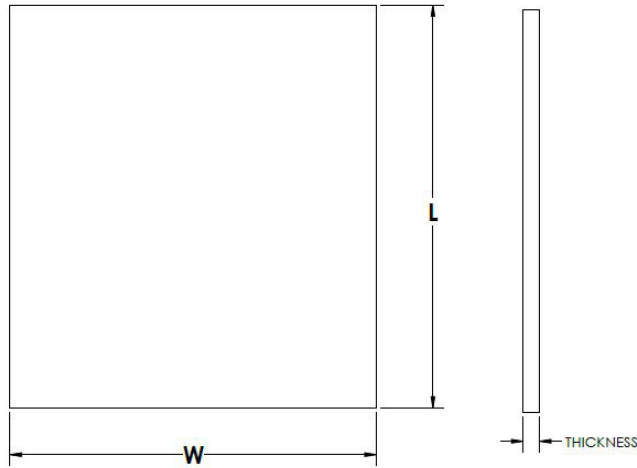
**Material 806A – Standard Sheets**

[Material 806A Data Sheet](#)

MIL SPEC No.	NJB Part No.	Dimension A Width (mm)	Dimension B Length (mm)	Dimension C Thickness (mm)	RFQ or Information
M83528/015A020-1020	806A-0141	10 (0.394)	20 (0.787)	0.020 (0.001)	<input type="checkbox"/>
M83528/015A027-1020	806A-0142	10 (0.394)	20 (0.787)	0.027 (0.001)	<input type="checkbox"/>
M83528/015A030-1020	806A-0143	10 (0.394)	20 (0.787)	0.030 (0.001)	<input type="checkbox"/>
M83528/015A032-1020	806A-0144	10 (0.394)	20 (0.787)	0.032 (0.001)	<input type="checkbox"/>
M83528/015A040-1020	806A-0145	10 (0.394)	20 (0.787)	0.040 (0.002)	<input type="checkbox"/>
M83528/015A047-1020	806A-0146	10 (0.394)	20 (0.787)	0.047 (0.002)	<input type="checkbox"/>
M83528/015A060-1020	806A-0147	10 (0.394)	20 (0.787)	0.060 (0.002)	<input type="checkbox"/>
M83528/015A062-1020	806A-0148	10 (0.394)	20 (0.787)	0.062 (0.002)	<input type="checkbox"/>
M83528/015A093-1020	806A-0149	10 (0.394)	20 (0.787)	0.093 (0.004)	<input type="checkbox"/>
M83528/015A125-1020	806A-0150	10 (0.394)	20 (0.787)	0.125 (0.005)	<input type="checkbox"/>
M83528/015A020-1218	806A-0151	12 (0.472)	18 (0.709)	0.020 (0.001)	<input type="checkbox"/>
M83528/015A027-1218	806A-0152	12 (0.472)	18 (0.709)	0.027 (0.001)	<input type="checkbox"/>
M83528/015A030-1218	806A-0153	12 (0.472)	18 (0.709)	0.030 (0.001)	<input type="checkbox"/>
M83528/015A032-1218	806A-0154	12 (0.472)	18 (0.709)	0.032 (0.001)	<input type="checkbox"/>
M83528/015A040-1218	806A-0155	12 (0.472)	18 (0.709)	0.040 (0.002)	<input type="checkbox"/>
M83528/015A047-1218	806A-0156	12 (0.472)	18 (0.709)	0.047 (0.002)	<input type="checkbox"/>
M83528/015A060-1218	806A-0157	12 (0.472)	18 (0.709)	0.060 (0.002)	<input type="checkbox"/>
M83528/015A062-1218	806A-0158	12 (0.472)	18 (0.709)	0.062 (0.002)	<input type="checkbox"/>
M83528/015A093-1218	806A-0159	12 (0.472)	18 (0.709)	0.093 (0.004)	<input type="checkbox"/>
M83528/015A125-1218	806A-0160	12 (0.472)	18 (0.709)	0.125 (0.005)	<input type="checkbox"/>

**GO TO STANDARD SHEET MATERIAL**

- [806A Silver Copper Silicone, 65 Duro](#)
- 805B Silver Aluminum Silicone**
- [816C Silver Copper Fluorosilicone](#)
- [815D Silver Aluminum Fluorosilicone](#)
- [808E Pure Silver Silicone, 65 Duro](#)
- [818F Pure Silver Fluorosilicone](#)
- [808H Pure Silver Silicone, 80 Duro](#)
- [806K Silver Copper Silicone, 85 Duro](#)
- [804L Silver Nickel Silicone](#)
- [803M Silver Glass Silicone](#)
- [801 Carbon Silicone](#)
- [802 Nickel Graphite Silicone](#)
- [812 Nickel Graphite Fluorosilicone](#)



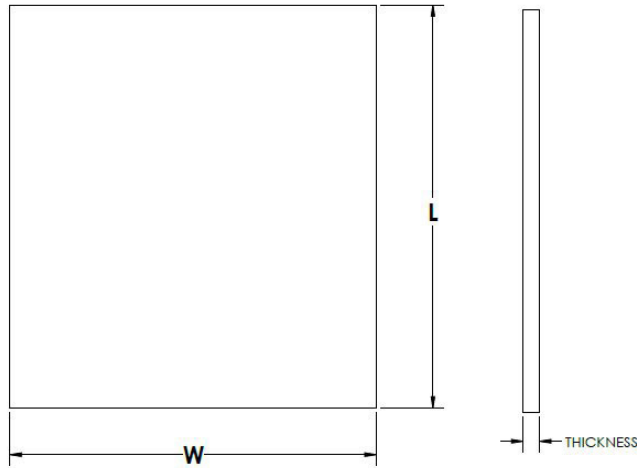
**Material 805B – Standard Sheets**

**Material 805B Data Sheet**

MIL SPEC No.	NJB Part No.	Dimension A Width (mm)	Dimension B Length (mm)	Dimension C Thickness (mm)	RFQ or Information
M83528/015B020-1010	805-0101	10 (0.394)	10 (0.394)	0.020 (0.001)	<input type="checkbox"/>
M83528/015B032-1010	805-0102	10 (0.394)	10 (0.394)	0.032 (0.001)	<input type="checkbox"/>
M83528/015B062-1010	805-0103	10 (0.394)	10 (0.394)	0.062 (0.002)	<input type="checkbox"/>
M83528/015B093-1010	805-0104	10 (0.394)	10 (0.394)	0.093 (0.004)	<input type="checkbox"/>
M83528/015B125-1010	805-0105	10 (0.394)	10 (0.394)	0.125 (0.005)	<input type="checkbox"/>
M83528/015B020-1212	805-0106	12 (0.472)	12 (0.472)	0.020 (0.001)	<input type="checkbox"/>
M83528/015B032-1212	805-0107	12 (0.472)	12 (0.472)	0.032 (0.001)	<input type="checkbox"/>
M83528/015B062-1212	805-0108	12 (0.472)	12 (0.472)	0.062 (0.002)	<input type="checkbox"/>
M83528/015B093-1212	805-0109	12 (0.472)	12 (0.472)	0.093 (0.004)	<input type="checkbox"/>
M83528/015B125-1212	805-0110	12 (0.472)	12 (0.472)	0.125 (0.005)	<input type="checkbox"/>
M83528/015B020-1520	805-0111	15 (0.591)	20 (0.787)	0.020 (0.001)	<input type="checkbox"/>
M83528/015B032-1520	805-0112	15 (0.591)	20 (0.787)	0.032 (0.001)	<input type="checkbox"/>
M83528/015B062-1520	805-0113	15 (0.591)	20 (0.787)	0.062 (0.002)	<input type="checkbox"/>
M83528/015B093-1520	805-0114	15 (0.591)	20 (0.787)	0.093 (0.004)	<input type="checkbox"/>
M83528/015B125-1520	805-0115	15 (0.591)	20 (0.787)	0.125 (0.005)	<input type="checkbox"/>
M83528/015B020-178205	805-0116	17.8 (0.701)	20.5 (0.807)	0.020 (0.001)	<input type="checkbox"/>
M83528/015B032-178205	805-0117	17.8 (0.701)	20.5 (0.807)	0.032 (0.001)	<input type="checkbox"/>
M83528/015B062-178205	805-0118	17.8 (0.701)	20.5 (0.807)	0.062 (0.002)	<input type="checkbox"/>
M83528/015B093-178205	805-0119	17.8 (0.701)	20.5 (0.807)	0.093 (0.004)	<input type="checkbox"/>
M83528/015B125-178205	805-0120	17.8 (0.701)	20.5 (0.807)	0.125 (0.005)	<input type="checkbox"/>

**GO TO STANDARD SHEET MATERIAL**

- [806A Silver Copper Silicone, 65 Duro](#)
- [805B Silver Aluminum Silicone](#)**
- [816C Silver Copper Fluorosilicone](#)
- [815D Silver Aluminum Fluorosilicone](#)
- [808E Pure Silver Silicone, 65 Duro](#)
- [818F Pure Silver Fluorosilicone](#)
- [808H Pure Silver Silicone, 80 Duro](#)
- [806K Silver Copper Silicone, 85 Duro](#)
- [804L Silver Nickel Silicone](#)
- [803M Silver Glass Silicone](#)
- [801 Carbon Silicone](#)
- [802 Nickel Graphite Silicone](#)
- [812 Nickel Graphite Fluorosilicone](#)



**Material 805B – Standard Sheets**

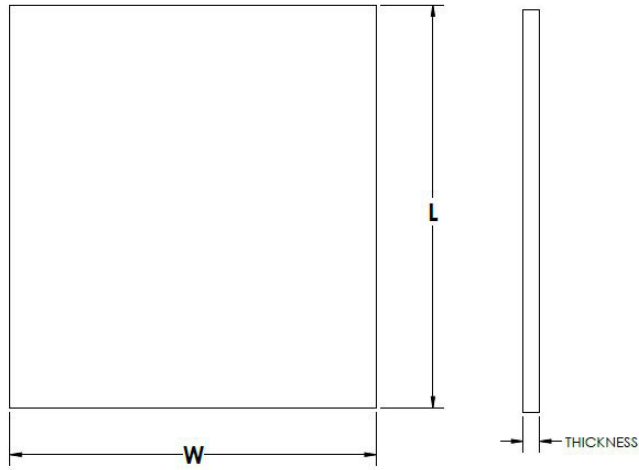
**Material 805B Data Sheet**

MIL SPEC No.	NJB Part No.	Dimension A Width (mm)	Dimension B Length (mm)	Dimension C Thickness (mm)	RFQ or Information
M83528/015B027-1010	805-0121	10 (0.394)	10 (0.394)	0.027 (0.001)	
M83528/015B030-1010	805-0122	10 (0.394)	10 (0.394)	0.030 (0.001)	
M83528/015B027-1010	805-0123	10 (0.394)	10 (0.394)	0.040 (0.002)	
M83528/015B027-1010	805-0124	10 (0.394)	10 (0.394)	0.047 (0.002)	
M83528/015B027-1010	805-0125	10 (0.394)	10 (0.394)	0.060 (0.002)	
M83528/015B027-1212	805-0126	12 (0.472)	12 (0.472)	0.027 (0.001)	
M83528/015B030-1212	805-0127	12 (0.472)	12 (0.472)	0.030 (0.001)	
M83528/015B027-1212	805-0128	12 (0.472)	12 (0.472)	0.040 (0.002)	
M83528/015B027-1212	805-0129	12 (0.472)	12 (0.472)	0.047 (0.002)	
M83528/015B027-1212	805-0130	12 (0.472)	12 (0.472)	0.060 (0.002)	
M83528/015B027-1520	805-0131	15 (0.591)	20 (0.787)	0.027 (0.001)	
M83528/015B030-1520	805-0132	15 (0.591)	20 (0.787)	0.030 (0.001)	
M83528/015B027-1520	805-0133	15 (0.591)	20 (0.787)	0.040 (0.002)	
M83528/015B027-1520	805-0134	15 (0.591)	20 (0.787)	0.047 (0.002)	
M83528/015B027-1520	805-0135	15 (0.591)	20 (0.787)	0.060 (0.002)	
M83528/015B027-178205	805-0136	17.8 (0.701)	20.5 (0.807)	0.027 (0.001)	
M83528/015B030-178205	805-0137	17.8 (0.701)	20.5 (0.807)	0.030 (0.001)	
M83528/015B027-178205	805-0138	17.8 (0.701)	20.5 (0.807)	0.040 (0.002)	
M83528/015B027-178205	805-0139	17.8 (0.701)	20.5 (0.807)	0.047 (0.002)	
M83528/015B027-178205	805-0140	17.8 (0.701)	20.5 (0.807)	0.060 (0.002)	



**GO TO STANDARD SHEET MATERIAL**

- [806A Silver Copper Silicone, 65 Duro](#)
- [805B Silver Aluminum Silicone](#)**
- [816C Silver Copper Fluorosilicone](#)
- [815D Silver Aluminum Fluorosilicone](#)
- [808E Pure Silver Silicone, 65 Duro](#)
- [818F Pure Silver Fluorosilicone](#)
- [808H Pure Silver Silicone, 80 Duro](#)
- [806K Silver Copper Silicone, 85 Duro](#)
- [804L Silver Nickel Silicone](#)
- [803M Silver Glass Silicone](#)
- [801 Carbon Silicone](#)
- [802 Nickel Graphite Silicone](#)
- [812 Nickel Graphite Fluorosilicone](#)



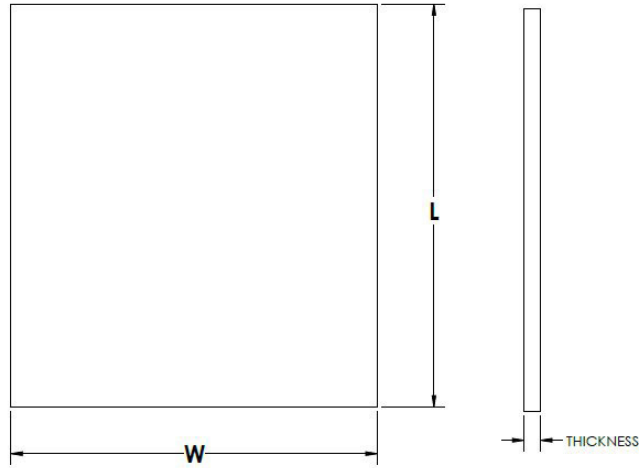
**Material 805B – Standard Sheets**

**Material 805B Data Sheet**

MIL SPEC No.	NJB Part No.	Dimension A Width (mm)	Dimension B Length (mm)	Dimension C Thickness (mm)	RFQ or Information
M83528/015B020-1020	805-0141	10 (0.394)	20 (0.787)	0.020 (0.001)	<input type="checkbox"/>
M83528/015B027-1020	805-0142	10 (0.394)	20 (0.787)	0.027 (0.001)	<input type="checkbox"/>
M83528/015B030-1020	805-0143	10 (0.394)	20 (0.787)	0.030 (0.001)	<input type="checkbox"/>
M83528/015B032-1020	805-0144	10 (0.394)	20 (0.787)	0.032 (0.001)	<input type="checkbox"/>
M83528/015B040-1020	805-0145	10 (0.394)	20 (0.787)	0.040 (0.002)	<input type="checkbox"/>
M83528/015B047-1020	805-0146	10 (0.394)	20 (0.787)	0.047 (0.002)	<input type="checkbox"/>
M83528/015B060-1020	805-0147	10 (0.394)	20 (0.787)	0.060 (0.002)	<input type="checkbox"/>
M83528/015B062-1020	805-0148	10 (0.394)	20 (0.787)	0.062 (0.002)	<input type="checkbox"/>
M83528/015B093-1020	805-0149	10 (0.394)	20 (0.787)	0.093 (0.004)	<input type="checkbox"/>
M83528/015B125-1020	805-0150	10 (0.394)	20 (0.787)	0.125 (0.005)	<input type="checkbox"/>
M83528/015B020-1218	805-0151	12 (0.472)	18 (0.709)	0.020 (0.001)	<input type="checkbox"/>
M83528/015B027-1218	805-0152	12 (0.472)	18 (0.709)	0.027 (0.001)	<input type="checkbox"/>
M83528/015B030-1218	805-0153	12 (0.472)	18 (0.709)	0.030 (0.001)	<input type="checkbox"/>
M83528/015B032-1218	805-0154	12 (0.472)	18 (0.709)	0.032 (0.001)	<input type="checkbox"/>
M83528/015B040-1218	805-0155	12 (0.472)	18 (0.709)	0.040 (0.002)	<input type="checkbox"/>
M83528/015B047-1218	805-0156	12 (0.472)	18 (0.709)	0.047 (0.002)	<input type="checkbox"/>
M83528/015B060-1218	805-0157	12 (0.472)	18 (0.709)	0.060 (0.002)	<input type="checkbox"/>
M83528/015B062-1218	805-0158	12 (0.472)	18 (0.709)	0.062 (0.002)	<input type="checkbox"/>
M83528/015B093-1218	805-0159	12 (0.472)	18 (0.709)	0.093 (0.004)	<input type="checkbox"/>
M83528/015B125-1218	805-0160	12 (0.472)	18 (0.709)	0.125 (0.005)	<input type="checkbox"/>

**GO TO STANDARD SHEET MATERIAL**

- [806A Silver Copper Silicone, 65 Duro](#)
- [805B Silver Aluminum Silicone](#)
- [816C Silver Copper Fluorosilicone](#)**
- [815D Silver Aluminum Fluorosilicone](#)
- [808E Pure Silver Silicone, 65 Duro](#)
- [818F Pure Silver Fluorosilicone](#)
- [808H Pure Silver Silicone, 80 Duro](#)
- [806K Silver Copper Silicone, 85 Duro](#)
- [804L Silver Nickel Silicone](#)
- [803M Silver Glass Silicone](#)
- [801 Carbon Silicone](#)
- [802 Nickel Graphite Silicone](#)
- [812 Nickel Graphite Fluorosilicone](#)



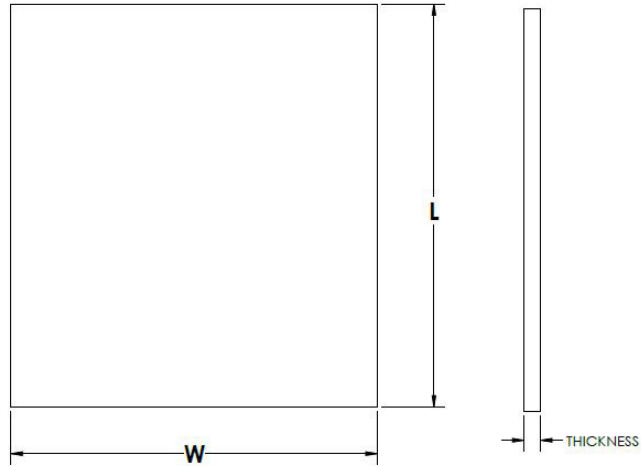
**Material 816C – Standard Sheets**

**Material 816C Data Sheet**


MIL SPEC No.	NJB Part No.	Dimension A Width (mm)	Dimension B Length (mm)	Dimension C Thickness (mm)	RFQ or Information
M83528/015C020-1010	816-0101	10 (0.394)	10 (0.394)	0.020 (0.001)	
M83528/015C032-1010	816-0102	10 (0.394)	10 (0.394)	0.032 (0.001)	
M83528/015C062-1010	816-0103	10 (0.394)	10 (0.394)	0.062 (0.002)	
M83528/015C093-1010	816-0104	10 (0.394)	10 (0.394)	0.093 (0.004)	
M83528/015C125-1010	816-0105	10 (0.394)	10 (0.394)	0.125 (0.005)	
M83528/015C020-1212	816-0106	12 (0.472)	12 (0.472)	0.020 (0.001)	
M83528/015C032-1212	816-0107	12 (0.472)	12 (0.472)	0.032 (0.001)	
M83528/015C062-1212	816-0108	12 (0.472)	12 (0.472)	0.062 (0.002)	
M83528/015C093-1212	816-0109	12 (0.472)	12 (0.472)	0.093 (0.004)	
M83528/015C125-1212	816-0110	12 (0.472)	12 (0.472)	0.125 (0.005)	
M83528/015C020-1520	816-0111	15 (0.591)	20 (0.787)	0.020 (0.001)	
M83528/015C032-1520	816-0112	15 (0.591)	20 (0.787)	0.032 (0.001)	
M83528/015C062-1520	816-0113	15 (0.591)	20 (0.787)	0.062 (0.002)	
M83528/015C093-1520	816-0114	15 (0.591)	20 (0.787)	0.093 (0.004)	
M83528/015C125-1520	816-0115	15 (0.591)	20 (0.787)	0.125 (0.005)	
M83528/015C020-178205	816-0116	17.8 (0.701)	20.5 (0.807)	0.020 (0.001)	
M83528/015C032-178205	816-0117	17.8 (0.701)	20.5 (0.807)	0.032 (0.001)	
M83528/015C062-178205	816-0118	17.8 (0.701)	20.5 (0.807)	0.062 (0.002)	
M83528/015C093-178205	816-0119	17.8 (0.701)	20.5 (0.807)	0.093 (0.004)	
M83528/015C125-178205	816-0120	17.8 (0.701)	20.5 (0.807)	0.125 (0.005)	















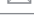





**GO TO STANDARD SHEET MATERIAL**

- [806A Silver Copper Silicone, 65 Duro](#)
- [805B Silver Aluminum Silicone](#)
- [816C Silver Copper Fluorosilicone](#)**
- [815D Silver Aluminum Fluorosilicone](#)
- [808E Pure Silver Silicone, 65 Duro](#)
- [818F Pure Silver Fluorosilicone](#)
- [808H Pure Silver Silicone, 80 Duro](#)
- [806K Silver Copper Silicone, 85 Duro](#)
- [804L Silver Nickel Silicone](#)
- [803M Silver Glass Silicone](#)
- [801 Carbon Silicone](#)
- [802 Nickel Graphite Silicone](#)
- [812 Nickel Graphite Fluorosilicone](#)



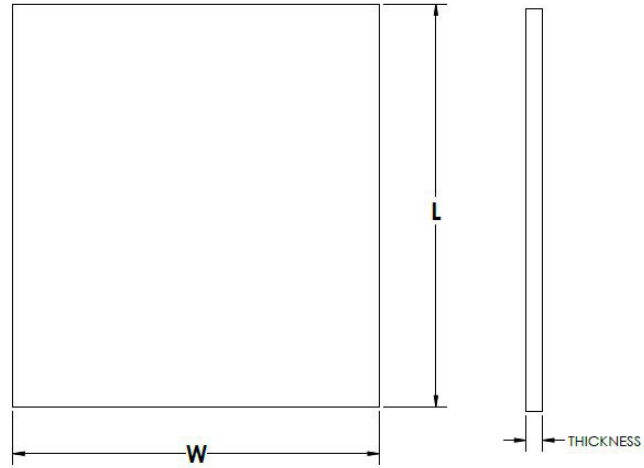
**Material 816C – Standard Sheets**

 **Material 816C Data Sheet**

MIL SPEC No.	NJB Part No.	Dimension A Width (mm)	Dimension B Length (mm)	Dimension C Thickness (mm)	RFQ or Information
M83528/015C027-1010	816-0121	10 (0.394)	10 (0.394)	0.020 (0.001)	
M83528/015C030-1010	816-0122	10 (0.394)	10 (0.394)	0.032 (0.001)	
M83528/015C027-1010	816-0123	10 (0.394)	10 (0.394)	0.062 (0.002)	
M83528/015C027-1010	816-0124	10 (0.394)	10 (0.394)	0.093 (0.004)	
M83528/015C027-1010	816-0125	10 (0.394)	10 (0.394)	0.125 (0.005)	
M83528/015C027-1212	816-0126	12 (0.472)	12 (0.472)	0.020 (0.001)	
M83528/015C030-1212	816-0127	12 (0.472)	12 (0.472)	0.032 (0.001)	
M83528/015C027-1212	816-0128	12 (0.472)	12 (0.472)	0.062 (0.002)	
M83528/015C027-1212	816-0129	12 (0.472)	12 (0.472)	0.093 (0.004)	
M83528/015C027-1212	816-0130	12 (0.472)	12 (0.472)	0.125 (0.005)	
M83528/015C027-1520	816-0131	15 (0.591)	20 (0.787)	0.020 (0.001)	
M83528/015C030-1520	816-0132	15 (0.591)	20 (0.787)	0.032 (0.001)	
M83528/015C027-1520	816-0133	15 (0.591)	20 (0.787)	0.062 (0.002)	
M83528/015C027-1520	816-0134	15 (0.591)	20 (0.787)	0.093 (0.004)	
M83528/015C027-1520	816-0135	15 (0.591)	20 (0.787)	0.125 (0.005)	
M83528/015C027-178205	816-0136	17.8 (0.701)	20.5 (0.807)	0.020 (0.001)	
M83528/015C030-178205	816-0137	17.8 (0.701)	20.5 (0.807)	0.032 (0.001)	
M83528/015C027-178205	816-0138	17.8 (0.701)	20.5 (0.807)	0.062 (0.002)	
M83528/015C027-178205	816-0139	17.8 (0.701)	20.5 (0.807)	0.093 (0.004)	
M83528/015C027-178205	816-0140	17.8 (0.701)	20.5 (0.807)	0.125 (0.005)	

**GO TO STANDARD SHEET MATERIAL**

- [806A Silver Copper Silicone, 65 Duro](#)
- [805B Silver Aluminum Silicone](#)
- [816C Silver Copper Fluorosilicone](#)**
- [815D Silver Aluminum Fluorosilicone](#)
- [808E Pure Silver Silicone, 65 Duro](#)
- [818F Pure Silver Fluorosilicone](#)
- [808H Pure Silver Silicone, 80 Duro](#)
- [806K Silver Copper Silicone, 85 Duro](#)
- [804L Silver Nickel Silicone](#)
- [803M Silver Glass Silicone](#)
- [801 Carbon Silicone](#)
- [802 Nickel Graphite Silicone](#)
- [812 Nickel Graphite Fluorosilicone](#)



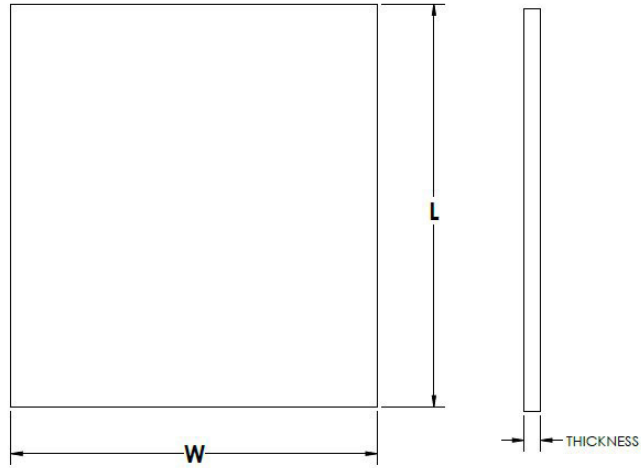
**Material 816C – Standard Sheets**

**Material 816C Data Sheet**

MIL SPEC No.	NJB Part No.	Dimension A Width (mm)	Dimension B Length (mm)	Dimension C Thickness (mm)	RFQ or Information
M83528/015C020-1020	816-0141	10 (0.394)	10 (0.394)	0.020 (0.001)	
M83528/015C027-1020	816-0142	10 (0.394)	10 (0.394)	0.032 (0.001)	
M83528/015C030-1020	816-0143	10 (0.394)	10 (0.394)	0.062 (0.002)	
M83528/015C032-1020	816-0144	10 (0.394)	10 (0.394)	0.093 (0.004)	
M83528/015C040-1020	816-0145	10 (0.394)	10 (0.394)	0.125 (0.005)	
M83528/015C047-1020	816-0146	12 (0.472)	12 (0.472)	0.020 (0.001)	
M83528/015C060-1020	816-0147	12 (0.472)	12 (0.472)	0.032 (0.001)	
M83528/015C062-1020	816-0148	12 (0.472)	12 (0.472)	0.062 (0.002)	
M83528/015C093-1020	816-0149	12 (0.472)	12 (0.472)	0.093 (0.004)	
M83528/015C125-1020	816-0150	12 (0.472)	12 (0.472)	0.125 (0.005)	
M83528/015C020-1218	816-0151	15 (0.591)	20 (0.787)	0.020 (0.001)	
M83528/015C027-1218	816-0152	15 (0.591)	20 (0.787)	0.032 (0.001)	
M83528/015C030-1218	816-0153	15 (0.591)	20 (0.787)	0.062 (0.002)	
M83528/015C032-1218	816-0154	15 (0.591)	20 (0.787)	0.093 (0.004)	
M83528/015C040-1218	816-0155	15 (0.591)	20 (0.787)	0.125 (0.005)	
M83528/015C047-1218	816-0156	17.8 (0.701)	20.5 (0.807)	0.020 (0.001)	
M83528/015C060-1218	816-0157	17.8 (0.701)	20.5 (0.807)	0.032 (0.001)	
M83528/015C062-1218	816-0158	17.8 (0.701)	20.5 (0.807)	0.062 (0.002)	
M83528/015C093-1218	816-0159	17.8 (0.701)	20.5 (0.807)	0.093 (0.004)	
M83528/015C125-1218	816-0160	17.8 (0.701)	20.5 (0.807)	0.125 (0.005)	

**GO TO STANDARD SHEET MATERIAL**

- [806A Silver Copper Silicone, 65 Duro](#)
- [805B Silver Aluminum Silicone](#)
- [816C Silver Copper Fluorosilicone](#)
- [815D Silver Aluminum Fluorosilicone](#)**
- [808E Pure Silver Silicone, 65 Duro](#)
- [818F Pure Silver Fluorosilicone](#)
- [808H Pure Silver Silicone, 80 Duro](#)
- [806K Silver Copper Silicone, 85 Duro](#)
- [804L Silver Nickel Silicone](#)
- [803M Silver Glass Silicone](#)
- [801 Carbon Silicone](#)
- [802 Nickel Graphite Silicone](#)
- [812 Nickel Graphite Fluorosilicone](#)



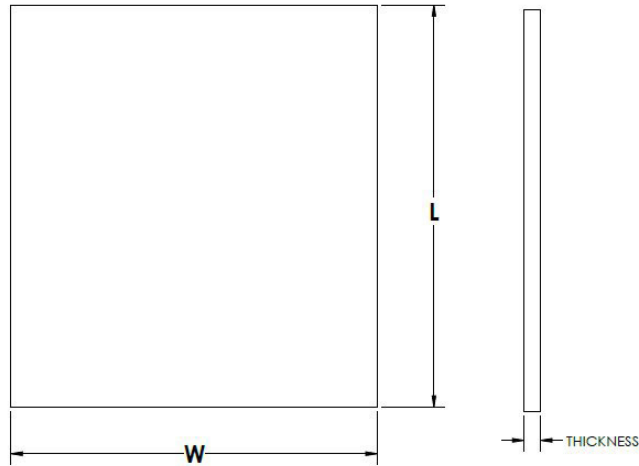
**Material 815D – Standard Sheets**

[Material 815D Data Sheet](#)

MIL SPEC No.	NJB Part No.	Dimension A Width (mm)	Dimension B Length (mm)	Dimension C Thickness (mm)	RFQ or Information
M83528/015D020-1010	815-0101	10 (0.394)	10 (0.394)	0.020 (0.001)	
M83528/015D032-1010	815-0102	10 (0.394)	10 (0.394)	0.032 (0.001)	
M83528/015D062-1010	815-0103	10 (0.394)	10 (0.394)	0.062 (0.002)	
M83528/015D093-1010	815-0104	10 (0.394)	10 (0.394)	0.093 (0.004)	
M83528/015D125-1010	815-0105	10 (0.394)	10 (0.394)	0.125 (0.005)	
M83528/015D020-1212	815-0106	12 (0.472)	12 (0.472)	0.020 (0.001)	
M83528/015D032-1212	815-0107	12 (0.472)	12 (0.472)	0.032 (0.001)	
M83528/015D062-1212	815-0108	12 (0.472)	12 (0.472)	0.062 (0.002)	
M83528/015D093-1212	815-0109	12 (0.472)	12 (0.472)	0.093 (0.004)	
M83528/015D125-1212	815-0110	12 (0.472)	12 (0.472)	0.125 (0.005)	
M83528/015D020-1520	815-0111	15 (0.591)	20 (0.787)	0.020 (0.001)	
M83528/015D032-1520	815-0112	15 (0.591)	20 (0.787)	0.032 (0.001)	
M83528/015D062-1520	815-0113	15 (0.591)	20 (0.787)	0.062 (0.002)	
M83528/015D093-1520	815-0114	15 (0.591)	20 (0.787)	0.093 (0.004)	
M83528/015D125-1520	815-0115	15 (0.591)	20 (0.787)	0.125 (0.005)	
M83528/015D020-178205	815-0116	17.8 (0.701)	20.5 (0.807)	0.020 (0.001)	
M83528/015D032-178205	815-0117	17.8 (0.701)	20.5 (0.807)	0.032 (0.001)	
M83528/015D062-178205	815-0118	17.8 (0.701)	20.5 (0.807)	0.062 (0.002)	
M83528/015D093-178205	815-0119	17.8 (0.701)	20.5 (0.807)	0.093 (0.004)	
M83528/015D125-178205	815-0120	17.8 (0.701)	20.5 (0.807)	0.125 (0.005)	

**GO TO STANDARD SHEET MATERIAL**

- [806A Silver Copper Silicone, 65 Duro](#)
- [805B Silver Aluminum Silicone](#)
- [816C Silver Copper Fluorosilicone](#)
- [815D Silver Aluminum Fluorosilicone](#)**
- [808E Pure Silver Silicone, 65 Duro](#)
- [818F Pure Silver Fluorosilicone](#)
- [808H Pure Silver Silicone, 80 Duro](#)
- [806K Silver Copper Silicone, 85 Duro](#)
- [804L Silver Nickel Silicone](#)
- [803M Silver Glass Silicone](#)
- [801 Carbon Silicone](#)
- [802 Nickel Graphite Silicone](#)
- [812 Nickel Graphite Fluorosilicone](#)



**Material 815D – Standard Sheets**

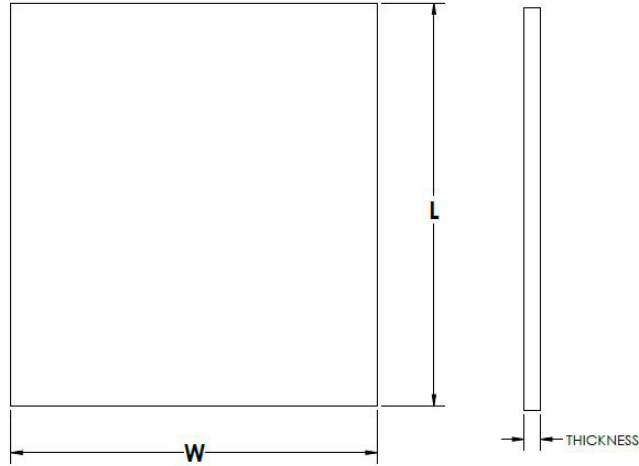
[Material 815D Data Sheet](#)

MIL SPEC No.	NJB Part No.	Dimension A Width (mm)	Dimension B Length (mm)	Dimension C Thickness (mm)	RFQ or Information
M83528/015D027-1010	815-0121	10 (0.394)	10 (0.394)	0.020 (0.001)	
M83528/015D030-1010	815-0122	10 (0.394)	10 (0.394)	0.032 (0.001)	
M83528/015D027-1010	815-0123	10 (0.394)	10 (0.394)	0.062 (0.002)	
M83528/015D027-1010	815-0124	10 (0.394)	10 (0.394)	0.093 (0.004)	
M83528/015D027-1010	815-0125	10 (0.394)	10 (0.394)	0.125 (0.005)	
M83528/015D027-1212	815-0126	12 (0.472)	12 (0.472)	0.020 (0.001)	
M83528/015D030-1212	815-0127	12 (0.472)	12 (0.472)	0.032 (0.001)	
M83528/015D027-1212	815-0128	12 (0.472)	12 (0.472)	0.062 (0.002)	
M83528/015D027-1212	815-0129	12 (0.472)	12 (0.472)	0.093 (0.004)	
M83528/015D027-1212	815-0130	12 (0.472)	12 (0.472)	0.125 (0.005)	
M83528/015D027-1520	815-0131	15 (0.591)	20 (0.787)	0.020 (0.001)	
M83528/015D030-1520	815-0132	15 (0.591)	20 (0.787)	0.032 (0.001)	
M83528/015D027-1520	815-0133	15 (0.591)	20 (0.787)	0.062 (0.002)	
M83528/015D027-1520	815-0134	15 (0.591)	20 (0.787)	0.093 (0.004)	
M83528/015D027-1520	815-0135	15 (0.591)	20 (0.787)	0.125 (0.005)	
M83528/015D027-178205	815-0136	17.8 (0.701)	20.5 (0.807)	0.020 (0.001)	
M83528/015D030-178205	815-0137	17.8 (0.701)	20.5 (0.807)	0.032 (0.001)	
M83528/015D027-178205	815-0138	17.8 (0.701)	20.5 (0.807)	0.062 (0.002)	
M83528/015D027-178205	815-0139	17.8 (0.701)	20.5 (0.807)	0.093 (0.004)	
M83528/015D027-178205	815-0140	17.8 (0.701)	20.5 (0.807)	0.125 (0.005)	

[\[page 1 of 3\]](#) [\[page 2 of 3\]](#) [\[page 3 of 3\]](#)

**GO TO STANDARD SHEET MATERIAL**

- [806A Silver Copper Silicone, 65 Duro](#)
- [805B Silver Aluminum Silicone](#)
- [816C Silver Copper Fluorosilicone](#)
- [815D Silver Aluminum Fluorosilicone](#)**
- [808E Pure Silver Silicone, 65 Duro](#)
- [818F Pure Silver Fluorosilicone](#)
- [808H Pure Silver Silicone, 80 Duro](#)
- [806K Silver Copper Silicone, 85 Duro](#)
- [804L Silver Nickel Silicone](#)
- [803M Silver Glass Silicone](#)
- [801 Carbon Silicone](#)
- [802 Nickel Graphite Silicone](#)
- [812 Nickel Graphite Fluorosilicone](#)



**Material 815D – Standard Sheets**

**Material 815D Data Sheet**

MIL SPEC No.	NJB Part No.	Dimension A Width (mm)	Dimension B Length (mm)	Dimension C Thickness (mm)	RFQ or Information
M83528/015D020-1020	815-0141	10 (0.394)	10 (0.394)	0.020 (0.001)	
M83528/015D027-1020	815-0142	10 (0.394)	10 (0.394)	0.032 (0.001)	
M83528/015D030-1020	815-0143	10 (0.394)	10 (0.394)	0.062 (0.002)	
M83528/015D032-1020	815-0144	10 (0.394)	10 (0.394)	0.093 (0.004)	
M83528/015D040-1020	815-0145	10 (0.394)	10 (0.394)	0.125 (0.005)	
M83528/015D047-1020	815-0146	12 (0.472)	12 (0.472)	0.020 (0.001)	
M83528/015D060-1020	815-0147	12 (0.472)	12 (0.472)	0.032 (0.001)	
M83528/015D062-1020	815-0148	12 (0.472)	12 (0.472)	0.062 (0.002)	
M83528/015D093-1020	815-0149	12 (0.472)	12 (0.472)	0.093 (0.004)	
M83528/015D125-1020	815-0150	12 (0.472)	12 (0.472)	0.125 (0.005)	
M83528/015D020-1218	815-0151	15 (0.591)	20 (0.787)	0.020 (0.001)	
M83528/015D027-1218	815-0152	15 (0.591)	20 (0.787)	0.032 (0.001)	
M83528/015D030-1218	815-0153	15 (0.591)	20 (0.787)	0.062 (0.002)	
M83528/015D032-1218	815-0154	15 (0.591)	20 (0.787)	0.093 (0.004)	
M83528/015D040-1218	815-0155	15 (0.591)	20 (0.787)	0.125 (0.005)	
M83528/015D047-1218	815-0156	17.8 (0.701)	20.5 (0.807)	0.020 (0.001)	
M83528/015D060-1218	815-0157	17.8 (0.701)	20.5 (0.807)	0.032 (0.001)	
M83528/015D062-1218	815-0158	17.8 (0.701)	20.5 (0.807)	0.062 (0.002)	
M83528/015D093-1218	815-0159	17.8 (0.701)	20.5 (0.807)	0.093 (0.004)	
M83528/015D125-1218	815-0160	17.8 (0.701)	20.5 (0.807)	0.125 (0.005)	

**GO TO STANDARD SHEET MATERIAL**

- [806A Silver Copper Silicone, 65 Duro](#)
- [805B Silver Aluminum Silicone](#)
- [816C Silver Copper Fluorosilicone](#)
- [815D Silver Aluminum Fluorosilicone](#)
- [808E Pure Silver Silicone, 65 Duro](#)**
- [818F Pure Silver Fluorosilicone](#)
- [808H Pure Silver Silicone, 80 Duro](#)
- [806K Silver Copper Silicone, 85 Duro](#)
- [804L Silver Nickel Silicone](#)
- [803M Silver Glass Silicone](#)
- [801 Carbon Silicone](#)
- [802 Nickel Graphite Silicone](#)
- [812 Nickel Graphite Fluorosilicone](#)



**Material 808E – Standard Sheets**

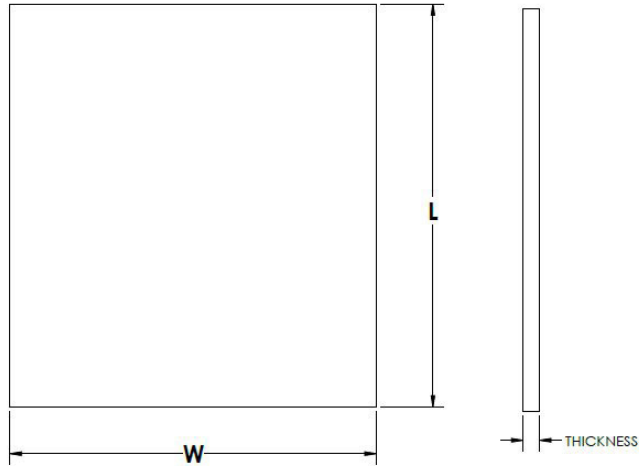
**Material 808E Data Sheet**

MIL SPEC No.	NJB Part No.	Dimension A Width (mm)	Dimension B Length (mm)	Dimension C Thickness (mm)	RFQ or Information
M83528/015E020-1010	808E-0101	10 (0.394)	10 (0.394)	0.020 (0.001)	
M83528/015E032-1010	808E-0102	10 (0.394)	10 (0.394)	0.032 (0.001)	
M83528/015E062-1010	808E-0103	10 (0.394)	10 (0.394)	0.062 (0.002)	
M83528/015E093-1010	808E-0104	10 (0.394)	10 (0.394)	0.093 (0.004)	
M83528/015E125-1010	808E-0105	10 (0.394)	10 (0.394)	0.125 (0.005)	
M83528/015E020-1212	808E-0106	12 (0.472)	12 (0.472)	0.020 (0.001)	
M83528/015E032-1212	808E-0107	12 (0.472)	12 (0.472)	0.032 (0.001)	
M83528/015E062-1212	808E-0108	12 (0.472)	12 (0.472)	0.062 (0.002)	
M83528/015E093-1212	808E-0109	12 (0.472)	12 (0.472)	0.093 (0.004)	
M83528/015E125-1212	808E-0110	12 (0.472)	12 (0.472)	0.125 (0.005)	
M83528/015E020-1520	808E-0111	15 (0.591)	20 (0.787)	0.020 (0.001)	
M83528/015E032-1520	808E-0112	15 (0.591)	20 (0.787)	0.032 (0.001)	
M83528/015E062-1520	808E-0113	15 (0.591)	20 (0.787)	0.062 (0.002)	
M83528/015E093-1520	808E-0114	15 (0.591)	20 (0.787)	0.093 (0.004)	
M83528/015E125-1520	808E-0115	15 (0.591)	20 (0.787)	0.125 (0.005)	
M83528/015E020-178205	808E-0116	17.8 (0.701)	20.5 (0.807)	0.020 (0.001)	
M83528/015E032-178205	808E-0117	17.8 (0.701)	20.5 (0.807)	0.032 (0.001)	
M83528/015E062-178205	808E-0118	17.8 (0.701)	20.5 (0.807)	0.062 (0.002)	
M83528/015E093-178205	808E-0119	17.8 (0.701)	20.5 (0.807)	0.093 (0.004)	
M83528/015E125-178205	808E-0120	17.8 (0.701)	20.5 (0.807)	0.125 (0.005)	



**GO TO STANDARD SHEET MATERIAL**

- [806A Silver Copper Silicone, 65 Duro](#)
- [805B Silver Aluminum Silicone](#)
- [816C Silver Copper Fluorosilicone](#)
- [815D Silver Aluminum Fluorosilicone](#)
- [808E Pure Silver Silicone, 65 Duro](#)**
- [818F Pure Silver Fluorosilicone](#)
- [808H Pure Silver Silicone, 80 Duro](#)
- [806K Silver Copper Silicone, 85 Duro](#)
- [804L Silver Nickel Silicone](#)
- [803M Silver Glass Silicone](#)
- [801 Carbon Silicone](#)
- [802 Nickel Graphite Silicone](#)
- [812 Nickel Graphite Fluorosilicone](#)



**Material 808E – Standard Sheets**

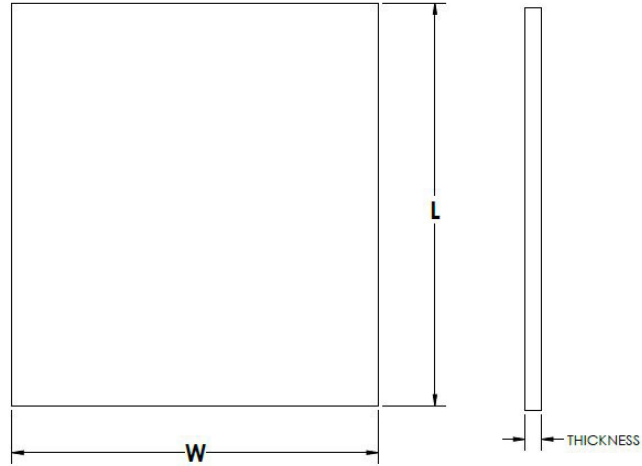
**Material 808E Data Sheet**

MIL SPEC No.	NJB Part No.	Dimension A Width (mm)	Dimension B Length (mm)	Dimension C Thickness (mm)	RFQ or Information
M83528/015E027-1010	808E-0121	10 (0.394)	10 (0.394)	0.020 (0.001)	<input type="checkbox"/>
M83528/015E030-1010	808E-0122	10 (0.394)	10 (0.394)	0.032 (0.001)	<input type="checkbox"/>
M83528/015E027-1010	808E-0123	10 (0.394)	10 (0.394)	0.062 (0.002)	<input type="checkbox"/>
M83528/015E027-1010	808E-0124	10 (0.394)	10 (0.394)	0.093 (0.004)	<input type="checkbox"/>
M83528/015E027-1010	808E-0125	10 (0.394)	10 (0.394)	0.125 (0.005)	<input type="checkbox"/>
M83528/015E027-1212	808E-0126	12 (0.472)	12 (0.472)	0.020 (0.001)	<input type="checkbox"/>
M83528/015E030-1212	808E-0127	12 (0.472)	12 (0.472)	0.032 (0.001)	<input type="checkbox"/>
M83528/015E027-1212	808E-0128	12 (0.472)	12 (0.472)	0.062 (0.002)	<input type="checkbox"/>
M83528/015E027-1212	808E-0129	12 (0.472)	12 (0.472)	0.093 (0.004)	<input type="checkbox"/>
M83528/015E027-1212	808E-0130	12 (0.472)	12 (0.472)	0.125 (0.005)	<input type="checkbox"/>
M83528/015E027-1520	808E-0131	15 (0.591)	20 (0.787)	0.020 (0.001)	<input type="checkbox"/>
M83528/015E030-1520	808E-0132	15 (0.591)	20 (0.787)	0.032 (0.001)	<input type="checkbox"/>
M83528/015E027-1520	808E-0133	15 (0.591)	20 (0.787)	0.062 (0.002)	<input type="checkbox"/>
M83528/015E027-1520	808E-0134	15 (0.591)	20 (0.787)	0.093 (0.004)	<input type="checkbox"/>
M83528/015E027-1520	808E-0135	15 (0.591)	20 (0.787)	0.125 (0.005)	<input type="checkbox"/>
M83528/015E027-178205	808E-0136	17.8 (0.701)	20.5 (0.807)	0.020 (0.001)	<input type="checkbox"/>
M83528/015E030-178205	808E-0137	17.8 (0.701)	20.5 (0.807)	0.032 (0.001)	<input type="checkbox"/>
M83528/015E027-178205	808E-0138	17.8 (0.701)	20.5 (0.807)	0.062 (0.002)	<input type="checkbox"/>
M83528/015E027-178205	808E-0139	17.8 (0.701)	20.5 (0.807)	0.093 (0.004)	<input type="checkbox"/>
M83528/015E027-178205	808E-0140	17.8 (0.701)	20.5 (0.807)	0.125 (0.005)	<input type="checkbox"/>

[\[page 1 of 3\]](#) [\[page 2 of 3\]](#) [\[page 3 of 3\]](#)

**GO TO STANDARD SHEET MATERIAL**

- [806A Silver Copper Silicone, 65 Duro](#)
- [805B Silver Aluminum Silicone](#)
- [816C Silver Copper Fluorosilicone](#)
- [815D Silver Aluminum Fluorosilicone](#)
- [808E Pure Silver Silicone, 65 Duro](#)**
- [818F Pure Silver Fluorosilicone](#)
- [808H Pure Silver Silicone, 80 Duro](#)
- [806K Silver Copper Silicone, 85 Duro](#)
- [804L Silver Nickel Silicone](#)
- [803M Silver Glass Silicone](#)
- [801 Carbon Silicone](#)
- [802 Nickel Graphite Silicone](#)
- [812 Nickel Graphite Fluorosilicone](#)



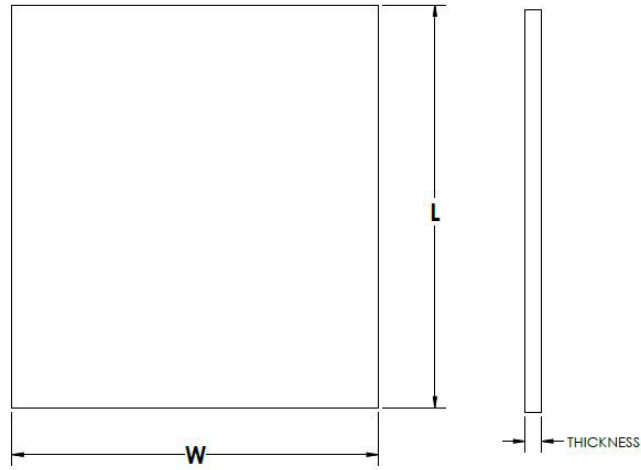
**Material 808E – Standard Sheets**

**Material 808E Data Sheet**


MIL SPEC No.	NJB Part No.	Dimension A Width (mm)	Dimension B Length (mm)	Dimension C Thickness (mm)	RFQ or Information
M83528/015E020-1020	808E-0141	10 (0.394)	10 (0.394)	0.020 (0.001)	
M83528/015E027-1020	808E-0142	10 (0.394)	10 (0.394)	0.032 (0.001)	
M83528/015E030-1020	808E-0143	10 (0.394)	10 (0.394)	0.062 (0.002)	
M83528/015E032-1020	808E-0144	10 (0.394)	10 (0.394)	0.093 (0.004)	
M83528/015E040-1020	808E-0145	10 (0.394)	10 (0.394)	0.125 (0.005)	
M83528/015E047-1020	808E-0146	12 (0.472)	12 (0.472)	0.020 (0.001)	
M83528/015E060-1020	808E-0147	12 (0.472)	12 (0.472)	0.032 (0.001)	
M83528/015E062-1020	808E-0148	12 (0.472)	12 (0.472)	0.062 (0.002)	
M83528/015E093-1020	808E-0149	12 (0.472)	12 (0.472)	0.093 (0.004)	
M83528/015E125-1020	808E-0150	12 (0.472)	12 (0.472)	0.125 (0.005)	
M83528/015E020-1218	808E-0151	15 (0.591)	20 (0.787)	0.020 (0.001)	
M83528/015E027-1218	808E-0152	15 (0.591)	20 (0.787)	0.032 (0.001)	
M83528/015E030-1218	808E-0153	15 (0.591)	20 (0.787)	0.062 (0.002)	
M83528/015E032-1218	808E-0154	15 (0.591)	20 (0.787)	0.093 (0.004)	
M83528/015E040-1218	808E-0155	15 (0.591)	20 (0.787)	0.125 (0.005)	
M83528/015E047-1218	808E-0156	17.8 (0.701)	20.5 (0.807)	0.020 (0.001)	
M83528/015E060-1218	808E-0157	17.8 (0.701)	20.5 (0.807)	0.032 (0.001)	
M83528/015E062-1218	808E-0158	17.8 (0.701)	20.5 (0.807)	0.062 (0.002)	
M83528/015E093-1218	808E-0159	17.8 (0.701)	20.5 (0.807)	0.093 (0.004)	
M83528/015E125-1218	808E-0160	17.8 (0.701)	20.5 (0.807)	0.125 (0.005)	





















**GO TO STANDARD SHEET MATERIAL**

- [806A Silver Copper Silicone, 65 Duro](#)
- [805B Silver Aluminum Silicone](#)
- [816C Silver Copper Fluorosilicone](#)
- [815D Silver Aluminum Fluorosilicone](#)
- [808E Pure Silver Silicone, 65 Duro](#)
- [818F Pure Silver Fluorosilicone](#)**
- [808H Pure Silver Silicone, 80 Duro](#)
- [806K Silver Copper Silicone, 85 Duro](#)
- [804L Silver Nickel Silicone](#)
- [803M Silver Glass Silicone](#)
- [801 Carbon Silicone](#)
- [802 Nickel Graphite Silicone](#)
- [812 Nickel Graphite Fluorosilicone](#)



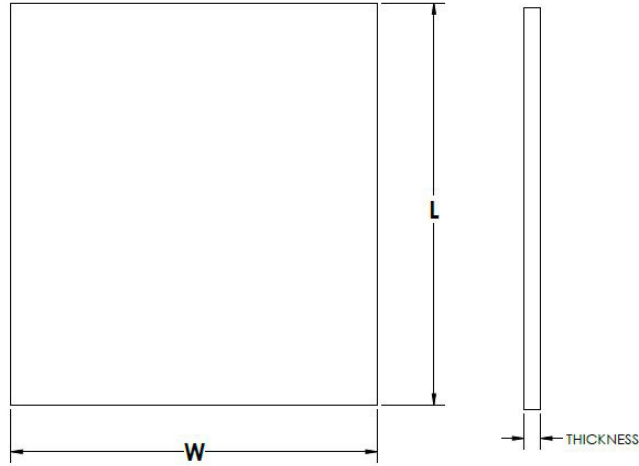
**Material 818F – Standard Sheets**

 **Material 818F Data Sheet**

MIL SPEC No.	NJB Part No.	Dimension A Width (mm)	Dimension B Length (mm)	Dimension C Thickness (mm)	RFQ or Information
M83528/015F020-1010	818-0101	10 (0.394)	10 (0.394)	0.020 (0.001)	
M83528/015F032-1010	818-0102	10 (0.394)	10 (0.394)	0.032 (0.001)	
M83528/015F062-1010	818-0103	10 (0.394)	10 (0.394)	0.062 (0.002)	
M83528/015F093-1010	818-0104	10 (0.394)	10 (0.394)	0.093 (0.004)	
M83528/015F125-1010	818-0105	10 (0.394)	10 (0.394)	0.125 (0.005)	
M83528/015F020-1212	818-0106	12 (0.472)	12 (0.472)	0.020 (0.001)	
M83528/015F032-1212	818-0107	12 (0.472)	12 (0.472)	0.032 (0.001)	
M83528/015F062-1212	818-0108	12 (0.472)	12 (0.472)	0.062 (0.002)	
M83528/015F093-1212	818-0109	12 (0.472)	12 (0.472)	0.093 (0.004)	
M83528/015F125-1212	818-0110	12 (0.472)	12 (0.472)	0.125 (0.005)	
M83528/015F020-1520	818-0111	15 (0.591)	20 (0.787)	0.020 (0.001)	
M83528/015F032-1520	818-0112	15 (0.591)	20 (0.787)	0.032 (0.001)	
M83528/015F062-1520	818-0113	15 (0.591)	20 (0.787)	0.062 (0.002)	
M83528/015F093-1520	818-0114	15 (0.591)	20 (0.787)	0.093 (0.004)	
M83528/015F125-1520	818-0115	15 (0.591)	20 (0.787)	0.125 (0.005)	
M83528/015F020-178205	818-0116	17.8 (0.701)	20.5 (0.807)	0.020 (0.001)	
M83528/015F032-178205	818-0117	17.8 (0.701)	20.5 (0.807)	0.032 (0.001)	
M83528/015F062-178205	818-0118	17.8 (0.701)	20.5 (0.807)	0.062 (0.002)	
M83528/015F093-178205	818-0119	17.8 (0.701)	20.5 (0.807)	0.093 (0.004)	
M83528/015F125-178205	818-0120	17.8 (0.701)	20.5 (0.807)	0.125 (0.005)	

**GO TO STANDARD SHEET MATERIAL**

- [806A Silver Copper Silicone, 65 Duro](#)
- [805B Silver Aluminum Silicone](#)
- [816C Silver Copper Fluorosilicone](#)
- [815D Silver Aluminum Fluorosilicone](#)
- [808E Pure Silver Silicone, 65 Duro](#)
- [818F Pure Silver Fluorosilicone](#)**
- [808H Pure Silver Silicone, 80 Duro](#)
- [806K Silver Copper Silicone, 85 Duro](#)
- [804L Silver Nickel Silicone](#)
- [803M Silver Glass Silicone](#)
- [801 Carbon Silicone](#)
- [802 Nickel Graphite Silicone](#)
- [812 Nickel Graphite Fluorosilicone](#)



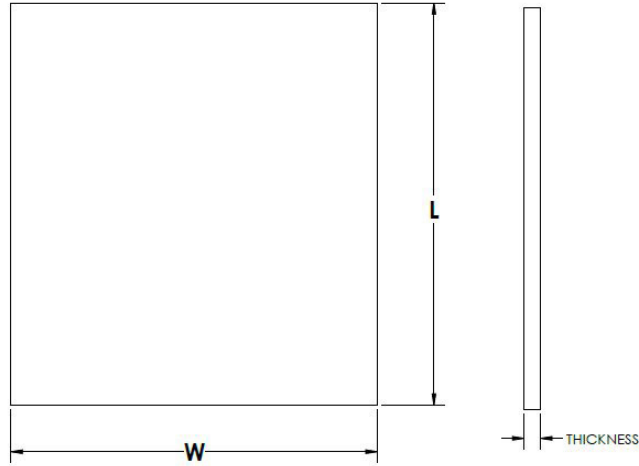
**Material 818F – Standard Sheets**

[Material 818F Data Sheet](#)

MIL SPEC No.	NJB Part No.	Dimension A Width (mm)	Dimension B Length (mm)	Dimension C Thickness (mm)	RFQ or Information
M83528/015F027-1010	818-0121	10 (0.394)	10 (0.394)	0.020 (0.001)	
M83528/015F030-1010	818-0122	10 (0.394)	10 (0.394)	0.032 (0.001)	
M83528/015F027-1010	818-0123	10 (0.394)	10 (0.394)	0.062 (0.002)	
M83528/015F027-1010	818-0124	10 (0.394)	10 (0.394)	0.093 (0.004)	
M83528/015F027-1010	818-0125	10 (0.394)	10 (0.394)	0.125 (0.005)	
M83528/015F027-1212	818-0126	12 (0.472)	12 (0.472)	0.020 (0.001)	
M83528/015F030-1212	818-0127	12 (0.472)	12 (0.472)	0.032 (0.001)	
M83528/015F027-1212	818-0128	12 (0.472)	12 (0.472)	0.062 (0.002)	
M83528/015F027-1212	818-0129	12 (0.472)	12 (0.472)	0.093 (0.004)	
M83528/015F027-1212	818-0130	12 (0.472)	12 (0.472)	0.125 (0.005)	
M83528/015F027-1520	818-0131	15 (0.591)	20 (0.787)	0.020 (0.001)	
M83528/015F030-1520	818-0132	15 (0.591)	20 (0.787)	0.032 (0.001)	
M83528/015F027-1520	818-0133	15 (0.591)	20 (0.787)	0.062 (0.002)	
M83528/015F027-1520	818-0134	15 (0.591)	20 (0.787)	0.093 (0.004)	
M83528/015F027-1520	818-0135	15 (0.591)	20 (0.787)	0.125 (0.005)	
M83528/015F027-178205	818-0136	17.8 (0.701)	20.5 (0.807)	0.020 (0.001)	
M83528/015F030-178205	818-0137	17.8 (0.701)	20.5 (0.807)	0.032 (0.001)	
M83528/015F027-178205	818-0138	17.8 (0.701)	20.5 (0.807)	0.062 (0.002)	
M83528/015F027-178205	818-0139	17.8 (0.701)	20.5 (0.807)	0.093 (0.004)	
M83528/015F027-178205	818-0140	17.8 (0.701)	20.5 (0.807)	0.125 (0.005)	

**GO TO STANDARD SHEET MATERIAL**

- [806A Silver Copper Silicone, 65 Duro](#)
- [805B Silver Aluminum Silicone](#)
- [816C Silver Copper Fluorosilicone](#)
- [815D Silver Aluminum Fluorosilicone](#)
- [808E Pure Silver Silicone, 65 Duro](#)
- [818F Pure Silver Fluorosilicone](#)**
- [808H Pure Silver Silicone, 80 Duro](#)
- [806K Silver Copper Silicone, 85 Duro](#)
- [804L Silver Nickel Silicone](#)
- [803M Silver Glass Silicone](#)
- [801 Carbon Silicone](#)
- [802 Nickel Graphite Silicone](#)
- [812 Nickel Graphite Fluorosilicone](#)



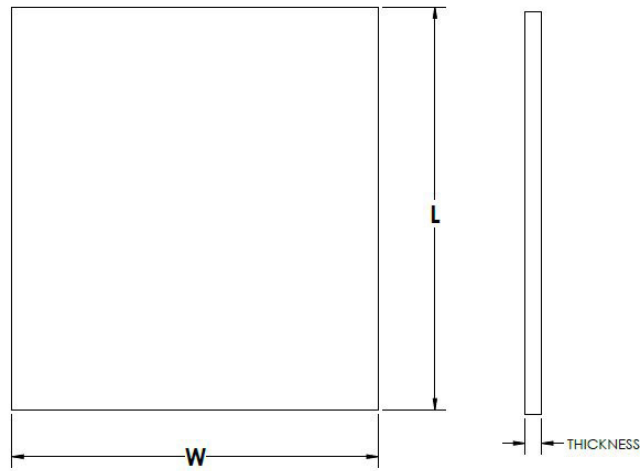
**Material 818F – Standard Sheets**

[Material 818F Data Sheet](#)

MIL SPEC No.	NJB Part No.	Dimension A Width (mm)	Dimension B Length (mm)	Dimension C Thickness (mm)	RFQ or Information
M83528/015F020-1020	818-0141	10 (0.394)	10 (0.394)	0.020 (0.001)	
M83528/015F027-1020	818-0142	10 (0.394)	10 (0.394)	0.032 (0.001)	
M83528/015F030-1020	818-0143	10 (0.394)	10 (0.394)	0.062 (0.002)	
M83528/015F032-1020	818-0144	10 (0.394)	10 (0.394)	0.093 (0.004)	
M83528/015F040-1020	818-0145	10 (0.394)	10 (0.394)	0.125 (0.005)	
M83528/015F047-1020	818-0146	12 (0.472)	12 (0.472)	0.020 (0.001)	
M83528/015F060-1020	818-0147	12 (0.472)	12 (0.472)	0.032 (0.001)	
M83528/015F062-1020	818-0148	12 (0.472)	12 (0.472)	0.062 (0.002)	
M83528/015F093-1020	818-0149	12 (0.472)	12 (0.472)	0.093 (0.004)	
M83528/015F125-1020	818-0150	12 (0.472)	12 (0.472)	0.125 (0.005)	
M83528/015F020-1218	818-0151	15 (0.591)	20 (0.787)	0.020 (0.001)	
M83528/015F027-1218	818-0152	15 (0.591)	20 (0.787)	0.032 (0.001)	
M83528/015F030-1218	818-0153	15 (0.591)	20 (0.787)	0.062 (0.002)	
M83528/015F032-1218	818-0154	15 (0.591)	20 (0.787)	0.093 (0.004)	
M83528/015F040-1218	818-0155	15 (0.591)	20 (0.787)	0.125 (0.005)	
M83528/015F047-1218	818-0156	17.8 (0.701)	20.5 (0.807)	0.020 (0.001)	
M83528/015F060-1218	818-0157	17.8 (0.701)	20.5 (0.807)	0.032 (0.001)	
M83528/015F062-1218	818-0158	17.8 (0.701)	20.5 (0.807)	0.062 (0.002)	
M83528/015F093-1218	818-0159	17.8 (0.701)	20.5 (0.807)	0.093 (0.004)	
M83528/015F125-1218	818-0160	17.8 (0.701)	20.5 (0.807)	0.125 (0.005)	

**GO TO STANDARD SHEET MATERIAL**

- [806A Silver Copper Silicone, 65 Duro](#)
- [805B Silver Aluminum Silicone](#)
- [816C Silver Copper Fluorosilicone](#)
- [815D Silver Aluminum Fluorosilicone](#)
- [808E Pure Silver Silicone, 65 Duro](#)
- [818F Pure Silver Fluorosilicone](#)
- [808H Pure Silver Silicone, 80 Duro](#)**
- [806K Silver Copper Silicone, 85 Duro](#)
- [804L Silver Nickel Silicone](#)
- [803M Silver Glass Silicone](#)
- [801 Carbon Silicone](#)
- [802 Nickel Graphite Silicone](#)
- [812 Nickel Graphite Fluorosilicone](#)



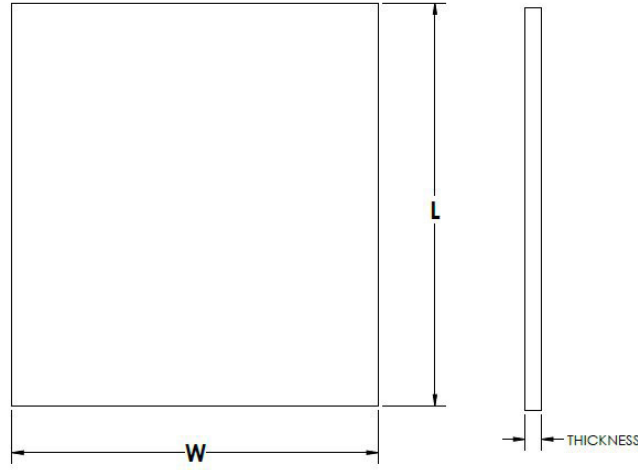
**Material 808H – Standard Sheets**

**Material 808H Data Sheet**

MIL SPEC No.	NJB Part No.	Dimension A Width (mm)	Dimension B Length (mm)	Dimension C Thickness (mm)	RFQ or Information
M83528/015H020-1010	808H-0101	10 (0.394)	10 (0.394)	0.020 (0.001)	<input type="checkbox"/>
M83528/015H032-1010	808H-0102	10 (0.394)	10 (0.394)	0.032 (0.001)	<input type="checkbox"/>
M83528/015H062-1010	808H-0103	10 (0.394)	10 (0.394)	0.062 (0.002)	<input type="checkbox"/>
M83528/015H093-1010	808H-0104	10 (0.394)	10 (0.394)	0.093 (0.004)	<input type="checkbox"/>
M83528/015H125-1010	808H-0105	10 (0.394)	10 (0.394)	0.125 (0.005)	<input type="checkbox"/>
M83528/015H020-1212	808H-0106	12 (0.472)	12 (0.472)	0.020 (0.001)	<input type="checkbox"/>
M83528/015H032-1212	808H-0107	12 (0.472)	12 (0.472)	0.032 (0.001)	<input type="checkbox"/>
M83528/015H062-1212	808H-0108	12 (0.472)	12 (0.472)	0.062 (0.002)	<input type="checkbox"/>
M83528/015H093-1212	808H-0109	12 (0.472)	12 (0.472)	0.093 (0.004)	<input type="checkbox"/>
M83528/015H125-1212	808H-0110	12 (0.472)	12 (0.472)	0.125 (0.005)	<input type="checkbox"/>
M83528/015H020-1520	808H-0111	15 (0.591)	20 (0.787)	0.020 (0.001)	<input type="checkbox"/>
M83528/015H032-1520	808H-0112	15 (0.591)	20 (0.787)	0.032 (0.001)	<input type="checkbox"/>
M83528/015H062-1520	808H-0113	15 (0.591)	20 (0.787)	0.062 (0.002)	<input type="checkbox"/>
M83528/015H093-1520	808H-0114	15 (0.591)	20 (0.787)	0.093 (0.004)	<input type="checkbox"/>
M83528/015H125-1520	808H-0115	15 (0.591)	20 (0.787)	0.125 (0.005)	<input type="checkbox"/>
M83528/015H020-178205	808H-0116	17.8 (0.701)	20.5 (0.807)	0.020 (0.001)	<input type="checkbox"/>
M83528/015H032-178205	808H-0117	17.8 (0.701)	20.5 (0.807)	0.032 (0.001)	<input type="checkbox"/>
M83528/015H062-178205	808H-0118	17.8 (0.701)	20.5 (0.807)	0.062 (0.002)	<input type="checkbox"/>
M83528/015H093-178205	808H-0119	17.8 (0.701)	20.5 (0.807)	0.093 (0.004)	<input type="checkbox"/>
M83528/015H125-178205	808H-0120	17.8 (0.701)	20.5 (0.807)	0.125 (0.005)	<input type="checkbox"/>

**GO TO STANDARD SHEET MATERIAL**

- [806A Silver Copper Silicone, 65 Duro](#)
- [805B Silver Aluminum Silicone](#)
- [816C Silver Copper Fluorosilicone](#)
- [815D Silver Aluminum Fluorosilicone](#)
- [808E Pure Silver Silicone, 65 Duro](#)
- [818F Pure Silver Fluorosilicone](#)
- [808H Pure Silver Silicone, 80 Duro](#)**
- [806K Silver Copper Silicone, 85 Duro](#)
- [804L Silver Nickel Silicone](#)
- [803M Silver Glass Silicone](#)
- [801 Carbon Silicone](#)
- [802 Nickel Graphite Silicone](#)
- [812 Nickel Graphite Fluorosilicone](#)



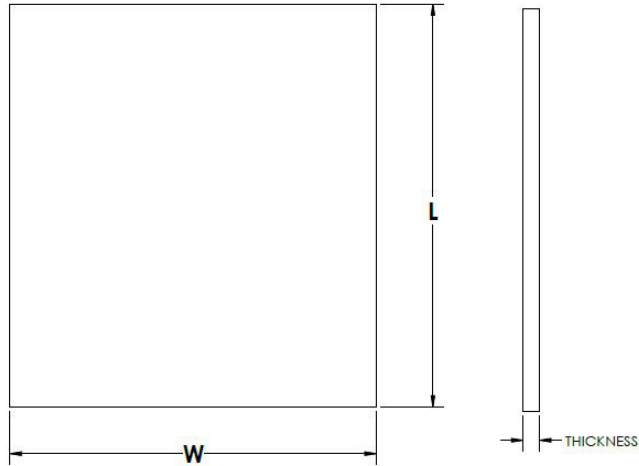
**Material 808H – Standard Sheets**

**Material 808H Data Sheet**

MIL SPEC No.	NJB Part No.	Dimension A Width (mm)	Dimension B Length (mm)	Dimension C Thickness (mm)	RFQ or Information
M83528/015H027-1010	808H-0121	10 (0.394)	10 (0.394)	0.020 (0.001)	<input type="checkbox"/>
M83528/015H030-1010	808H-0122	10 (0.394)	10 (0.394)	0.032 (0.001)	<input type="checkbox"/>
M83528/015H027-1010	808H-0123	10 (0.394)	10 (0.394)	0.062 (0.002)	<input type="checkbox"/>
M83528/015H027-1010	808H-0124	10 (0.394)	10 (0.394)	0.093 (0.004)	<input type="checkbox"/>
M83528/015H027-1010	808H-0125	10 (0.394)	10 (0.394)	0.125 (0.005)	<input type="checkbox"/>
M83528/015H027-1212	808H-0126	12 (0.472)	12 (0.472)	0.020 (0.001)	<input type="checkbox"/>
M83528/015H030-1212	808H-0127	12 (0.472)	12 (0.472)	0.032 (0.001)	<input type="checkbox"/>
M83528/015H027-1212	808H-0128	12 (0.472)	12 (0.472)	0.062 (0.002)	<input type="checkbox"/>
M83528/015H027-1212	808H-0129	12 (0.472)	12 (0.472)	0.093 (0.004)	<input type="checkbox"/>
M83528/015H027-1212	808H-0130	12 (0.472)	12 (0.472)	0.125 (0.005)	<input type="checkbox"/>
M83528/015H027-1520	808H-0131	15 (0.591)	20 (0.787)	0.020 (0.001)	<input type="checkbox"/>
M83528/015H030-1520	808H-0132	15 (0.591)	20 (0.787)	0.032 (0.001)	<input type="checkbox"/>
M83528/015H027-1520	808H-0133	15 (0.591)	20 (0.787)	0.062 (0.002)	<input type="checkbox"/>
M83528/015H027-1520	808H-0134	15 (0.591)	20 (0.787)	0.093 (0.004)	<input type="checkbox"/>
M83528/015H027-1520	808H-0135	15 (0.591)	20 (0.787)	0.125 (0.005)	<input type="checkbox"/>
M83528/015H027-178205	808H-0136	17.8 (0.701)	20.5 (0.807)	0.020 (0.001)	<input type="checkbox"/>
M83528/015H030-178205	808H-0137	17.8 (0.701)	20.5 (0.807)	0.032 (0.001)	<input type="checkbox"/>
M83528/015H027-178205	808H-0138	17.8 (0.701)	20.5 (0.807)	0.062 (0.002)	<input type="checkbox"/>
M83528/015H027-178205	808H-0139	17.8 (0.701)	20.5 (0.807)	0.093 (0.004)	<input type="checkbox"/>
M83528/015H027-178205	808H-0140	17.8 (0.701)	20.5 (0.807)	0.125 (0.005)	<input type="checkbox"/>

**GO TO STANDARD SHEET MATERIAL**

- [806A Silver Copper Silicone, 65 Duro](#)
- [805B Silver Aluminum Silicone](#)
- [816C Silver Copper Fluorosilicone](#)
- [815D Silver Aluminum Fluorosilicone](#)
- [808E Pure Silver Silicone, 65 Duro](#)
- [818F Pure Silver Fluorosilicone](#)
- [808H Pure Silver Silicone, 80 Duro](#)**
- [806K Silver Copper Silicone, 85 Duro](#)
- [804L Silver Nickel Silicone](#)
- [803M Silver Glass Silicone](#)
- [801 Carbon Silicone](#)
- [802 Nickel Graphite Silicone](#)
- [812 Nickel Graphite Fluorosilicone](#)



**Material 808H – Standard Sheets**

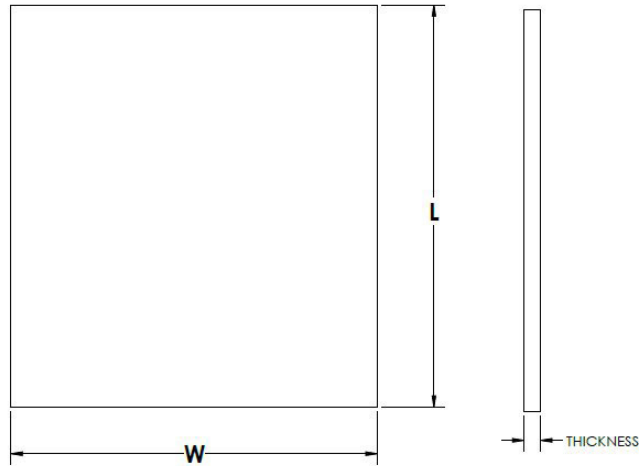
[Material 808H Data Sheet](#)

MIL SPEC No.	NJB Part No.	Dimension A Width (mm)	Dimension B Length (mm)	Dimension C Thickness (mm)	RFQ or Information
M83528/015H020-1020	808H-0141	10 (0.394)	10 (0.394)	0.020 (0.001)	
M83528/015H027-1020	808H-0142	10 (0.394)	10 (0.394)	0.032 (0.001)	
M83528/015H030-1020	808H-0143	10 (0.394)	10 (0.394)	0.062 (0.002)	
M83528/015H032-1020	808H-0144	10 (0.394)	10 (0.394)	0.093 (0.004)	
M83528/015H040-1020	808H-0145	10 (0.394)	10 (0.394)	0.125 (0.005)	
M83528/015H047-1020	808H-0146	12 (0.472)	12 (0.472)	0.020 (0.001)	
M83528/015H060-1020	808H-0147	12 (0.472)	12 (0.472)	0.032 (0.001)	
M83528/015H062-1020	808H-0148	12 (0.472)	12 (0.472)	0.062 (0.002)	
M83528/015H093-1020	808H-0149	12 (0.472)	12 (0.472)	0.093 (0.004)	
M83528/015H125-1020	808H-0150	12 (0.472)	12 (0.472)	0.125 (0.005)	
M83528/015H020-1218	808H-0151	15 (0.591)	20 (0.787)	0.020 (0.001)	
M83528/015H027-1218	808H-0152	15 (0.591)	20 (0.787)	0.032 (0.001)	
M83528/015H030-1218	808H-0153	15 (0.591)	20 (0.787)	0.062 (0.002)	
M83528/015H032-1218	808H-0154	15 (0.591)	20 (0.787)	0.093 (0.004)	
M83528/015H040-1218	808H-0155	15 (0.591)	20 (0.787)	0.125 (0.005)	
M83528/015H047-1218	808H-0156	17.8 (0.701)	20.5 (0.807)	0.020 (0.001)	
M83528/015H060-1218	808H-0157	17.8 (0.701)	20.5 (0.807)	0.032 (0.001)	
M83528/015H062-1218	808H-0158	17.8 (0.701)	20.5 (0.807)	0.062 (0.002)	
M83528/015H093-1218	808H-0159	17.8 (0.701)	20.5 (0.807)	0.093 (0.004)	
M83528/015H125-1218	808H-0160	17.8 (0.701)	20.5 (0.807)	0.125 (0.005)	



**GO TO STANDARD SHEET MATERIAL**

- [806A Silver Copper Silicone, 65 Duro](#)
- [805B Silver Aluminum Silicone](#)
- [816C Silver Copper Fluorosilicone](#)
- [815D Silver Aluminum Fluorosilicone](#)
- [808E Pure Silver Silicone, 65 Duro](#)
- [818F Pure Silver Fluorosilicone](#)
- [808H Pure Silver Silicone, 80 Duro](#)
- [806K Silver Copper Silicone, 85 Duro](#)**
- [804L Silver Nickel Silicone](#)
- [803M Silver Glass Silicone](#)
- [801 Carbon Silicone](#)
- [802 Nickel Graphite Silicone](#)
- [812 Nickel Graphite Fluorosilicone](#)



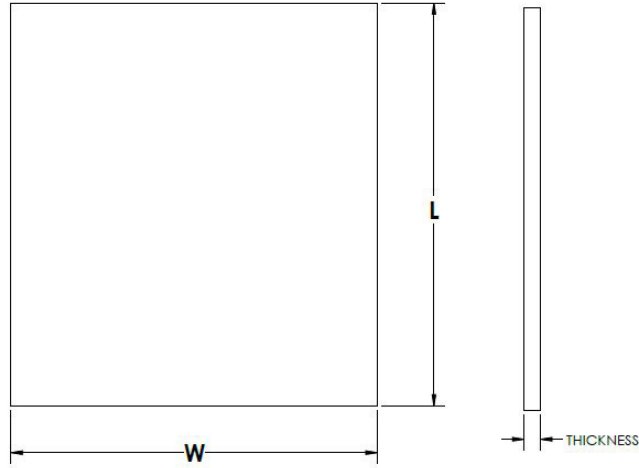
**Material 806K – Standard Sheets**

**Material 806K Data Sheet**

MIL SPEC No.	NJB Part No.	Dimension A Width (mm)	Dimension B Length (mm)	Dimension C Thickness (mm)	RFQ or Information
M83528/015K020-1010	806K-0101	10 (0.394)	10 (0.394)	0.020 (0.001)	
M83528/015K032-1010	806K-0102	10 (0.394)	10 (0.394)	0.032 (0.001)	
M83528/015K062-1010	806K-0103	10 (0.394)	10 (0.394)	0.062 (0.002)	
M83528/015K093-1010	806K-0104	10 (0.394)	10 (0.394)	0.093 (0.004)	
M83528/015K125-1010	806K-0105	10 (0.394)	10 (0.394)	0.125 (0.005)	
M83528/015K020-1212	806K-0106	12 (0.472)	12 (0.472)	0.020 (0.001)	
M83528/015K032-1212	806K-0107	12 (0.472)	12 (0.472)	0.032 (0.001)	
M83528/015K062-1212	806K-0108	12 (0.472)	12 (0.472)	0.062 (0.002)	
M83528/015K093-1212	806K-0109	12 (0.472)	12 (0.472)	0.093 (0.004)	
M83528/015K125-1212	806K-0110	12 (0.472)	12 (0.472)	0.125 (0.005)	
M83528/015K020-1520	806K-0111	15 (0.591)	20 (0.787)	0.020 (0.001)	
M83528/015K032-1520	806K-0112	15 (0.591)	20 (0.787)	0.032 (0.001)	
M83528/015K062-1520	806K-0113	15 (0.591)	20 (0.787)	0.062 (0.002)	
M83528/015K093-1520	806K-0114	15 (0.591)	20 (0.787)	0.093 (0.004)	
M83528/015K125-1520	806K-0115	15 (0.591)	20 (0.787)	0.125 (0.005)	
M83528/015K020-178205	806K-0116	17.8 (0.701)	20.5 (0.807)	0.020 (0.001)	
M83528/015K032-178205	806K-0117	17.8 (0.701)	20.5 (0.807)	0.032 (0.001)	
M83528/015K062-178205	806K-0118	17.8 (0.701)	20.5 (0.807)	0.062 (0.002)	
M83528/015K093-178205	806K-0119	17.8 (0.701)	20.5 (0.807)	0.093 (0.004)	
M83528/015K125-178205	806K-0120	17.8 (0.701)	20.5 (0.807)	0.125 (0.005)	

**GO TO STANDARD SHEET MATERIAL**

- [806A Silver Copper Silicone, 65 Duro](#)
- [805B Silver Aluminum Silicone](#)
- [816C Silver Copper Fluorosilicone](#)
- [815D Silver Aluminum Fluorosilicone](#)
- [808E Pure Silver Silicone, 65 Duro](#)
- [818F Pure Silver Fluorosilicone](#)
- [808H Pure Silver Silicone, 80 Duro](#)
- [806K Silver Copper Silicone, 85 Duro](#)**
- [804L Silver Nickel Silicone](#)
- [803M Silver Glass Silicone](#)
- [801 Carbon Silicone](#)
- [802 Nickel Graphite Silicone](#)
- [812 Nickel Graphite Fluorosilicone](#)



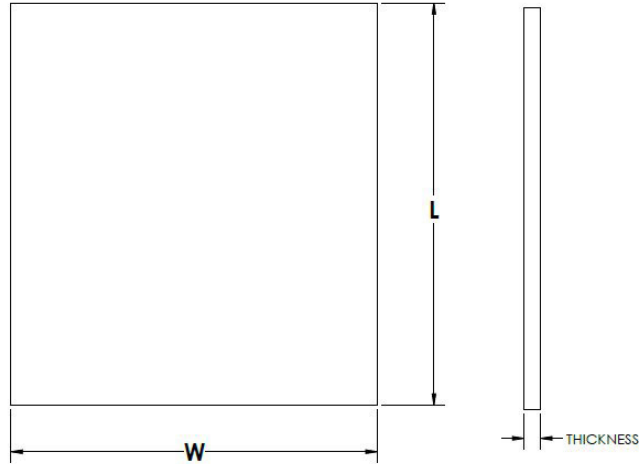
**Material 806K – Standard Sheets**

[Material 806K Data Sheet](#)

MIL SPEC No.	NJB Part No.	Dimension A Width (mm)	Dimension B Length (mm)	Dimension C Thickness (mm)	RFQ or Information
M83528/015K027-1010	806K-0121	10 (0.394)	10 (0.394)	0.020 (0.001)	
M83528/015K030-1010	806K-0122	10 (0.394)	10 (0.394)	0.032 (0.001)	
M83528/015K027-1010	806K-0123	10 (0.394)	10 (0.394)	0.062 (0.002)	
M83528/015K027-1010	806K-0124	10 (0.394)	10 (0.394)	0.093 (0.004)	
M83528/015K027-1010	806K-0125	10 (0.394)	10 (0.394)	0.125 (0.005)	
M83528/015K027-1212	806K-0126	12 (0.472)	12 (0.472)	0.020 (0.001)	
M83528/015K030-1212	806K-0127	12 (0.472)	12 (0.472)	0.032 (0.001)	
M83528/015K027-1212	806K-0128	12 (0.472)	12 (0.472)	0.062 (0.002)	
M83528/015K027-1212	806K-0129	12 (0.472)	12 (0.472)	0.093 (0.004)	
M83528/015K027-1212	806K-0130	12 (0.472)	12 (0.472)	0.125 (0.005)	
M83528/015K027-1520	806K-0131	15 (0.591)	20 (0.787)	0.020 (0.001)	
M83528/015K030-1520	806K-0132	15 (0.591)	20 (0.787)	0.032 (0.001)	
M83528/015K027-1520	806K-0133	15 (0.591)	20 (0.787)	0.062 (0.002)	
M83528/015K027-1520	806K-0134	15 (0.591)	20 (0.787)	0.093 (0.004)	
M83528/015K027-1520	806K-0135	15 (0.591)	20 (0.787)	0.125 (0.005)	
M83528/015K027-178205	806K-0136	17.8 (0.701)	20.5 (0.807)	0.020 (0.001)	
M83528/015K030-178205	806K-0137	17.8 (0.701)	20.5 (0.807)	0.032 (0.001)	
M83528/015K027-178205	806K-0138	17.8 (0.701)	20.5 (0.807)	0.062 (0.002)	
M83528/015K027-178205	806K-0139	17.8 (0.701)	20.5 (0.807)	0.093 (0.004)	
M83528/015K027-178205	806K-0140	17.8 (0.701)	20.5 (0.807)	0.125 (0.005)	

**GO TO STANDARD SHEET MATERIAL**

- [806A Silver Copper Silicone, 65 Duro](#)
- [805B Silver Aluminum Silicone](#)
- [816C Silver Copper Fluorosilicone](#)
- [815D Silver Aluminum Fluorosilicone](#)
- [808E Pure Silver Silicone, 65 Duro](#)
- [818F Pure Silver Fluorosilicone](#)
- [808H Pure Silver Silicone, 80 Duro](#)
- [806K Silver Copper Silicone, 85 Duro](#)
- [804L Silver Nickel Silicone](#)
- [803M Silver Glass Silicone](#)
- [801 Carbon Silicone](#)
- [802 Nickel Graphite Silicone](#)
- [812 Nickel Graphite Fluorosilicone](#)



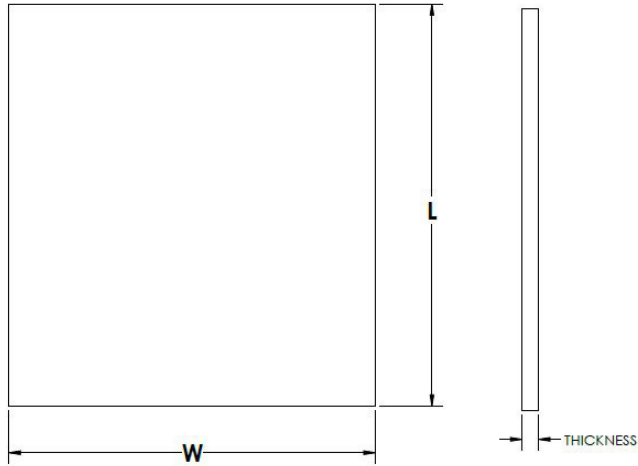
**Material 806K – Standard Sheets**

[Material 806K Data Sheet](#)

MIL SPEC No.	NJB Part No.	Dimension A Width (mm)	Dimension B Length (mm)	Dimension C Thickness (mm)	RFQ or Information
M83528/015K020-1020	806K-0141	10 (0.394)	10 (0.394)	0.020 (0.001)	
M83528/015K027-1020	806K-0142	10 (0.394)	10 (0.394)	0.032 (0.001)	
M83528/015K030-1020	806K-0143	10 (0.394)	10 (0.394)	0.062 (0.002)	
M83528/015K032-1020	806K-0144	10 (0.394)	10 (0.394)	0.093 (0.004)	
M83528/015K040-1020	806K-0145	10 (0.394)	10 (0.394)	0.125 (0.005)	
M83528/015K047-1020	806K-0146	12 (0.472)	12 (0.472)	0.020 (0.001)	
M83528/015K060-1020	806K-0147	12 (0.472)	12 (0.472)	0.032 (0.001)	
M83528/015K062-1020	806K-0148	12 (0.472)	12 (0.472)	0.062 (0.002)	
M83528/015K093-1020	806K-0149	12 (0.472)	12 (0.472)	0.093 (0.004)	
M83528/015K125-1020	806K-0150	12 (0.472)	12 (0.472)	0.125 (0.005)	
M83528/015K020-1218	806K-0151	15 (0.591)	20 (0.787)	0.020 (0.001)	
M83528/015K027-1218	806K-0152	15 (0.591)	20 (0.787)	0.032 (0.001)	
M83528/015K030-1218	806K-0153	15 (0.591)	20 (0.787)	0.062 (0.002)	
M83528/015K032-1218	806K-0154	15 (0.591)	20 (0.787)	0.093 (0.004)	
M83528/015K040-1218	806K-0155	15 (0.591)	20 (0.787)	0.125 (0.005)	
M83528/015K047-1218	806K-0156	17.8 (0.701)	20.5 (0.807)	0.020 (0.001)	
M83528/015K060-1218	806K-0157	17.8 (0.701)	20.5 (0.807)	0.032 (0.001)	
M83528/015K062-1218	806K-0158	17.8 (0.701)	20.5 (0.807)	0.062 (0.002)	
M83528/015K093-1218	806K-0159	17.8 (0.701)	20.5 (0.807)	0.093 (0.004)	
M83528/015K125-1218	806K-0160	17.8 (0.701)	20.5 (0.807)	0.125 (0.005)	

**GO TO STANDARD SHEET MATERIAL**

- [806A Silver Copper Silicone, 65 Duro](#)
- [805B Silver Aluminum Silicone](#)
- [816C Silver Copper Fluorosilicone](#)
- [815D Silver Aluminum Fluorosilicone](#)
- [808E Pure Silver Silicone, 65 Duro](#)
- [818F Pure Silver Fluorosilicone](#)
- [808H Pure Silver Silicone, 80 Duro](#)
- [806K Silver Copper Silicone, 85 Duro](#)
- [804L Silver Nickel Silicone](#)**
- [803M Silver Glass Silicone](#)
- [801 Carbon Silicone](#)
- [802 Nickel Graphite Silicone](#)
- [812 Nickel Graphite Fluorosilicone](#)



**Material 804L – Standard Sheets**

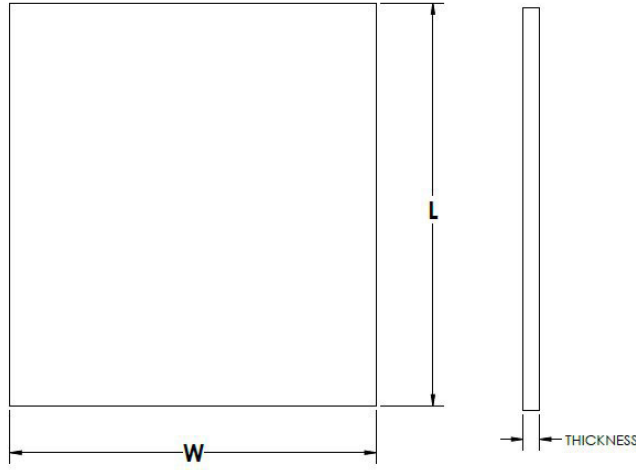
[Material 804L Data Sheet](#)

MIL SPEC No.	NJB Part No.	Dimension A Width (mm)	Dimension B Length (mm)	Dimension C Thickness (mm)	RFQ or Information
M83528/015L020-1010	804-0101	10 (0.394)	10 (0.394)	0.020 (0.001)	<input type="checkbox"/>
M83528/015L032-1010	804-0102	10 (0.394)	10 (0.394)	0.032 (0.001)	<input type="checkbox"/>
M83528/015L062-1010	804-0103	10 (0.394)	10 (0.394)	0.062 (0.002)	<input type="checkbox"/>
M83528/015L093-1010	804-0104	10 (0.394)	10 (0.394)	0.093 (0.004)	<input type="checkbox"/>
M83528/015L125-1010	804-0105	10 (0.394)	10 (0.394)	0.125 (0.005)	<input type="checkbox"/>
M83528/015L020-1212	804-0106	12 (0.472)	12 (0.472)	0.020 (0.001)	<input type="checkbox"/>
M83528/015L032-1212	804-0107	12 (0.472)	12 (0.472)	0.032 (0.001)	<input type="checkbox"/>
M83528/015L062-1212	804-0108	12 (0.472)	12 (0.472)	0.062 (0.002)	<input type="checkbox"/>
M83528/015L093-1212	804-0109	12 (0.472)	12 (0.472)	0.093 (0.004)	<input type="checkbox"/>
M83528/015L125-1212	804-0110	12 (0.472)	12 (0.472)	0.125 (0.005)	<input type="checkbox"/>
M83528/015L020-1520	804-0111	15 (0.591)	20 (0.787)	0.020 (0.001)	<input type="checkbox"/>
M83528/015L032-1520	804-0112	15 (0.591)	20 (0.787)	0.032 (0.001)	<input type="checkbox"/>
M83528/015L062-1520	804-0113	15 (0.591)	20 (0.787)	0.062 (0.002)	<input type="checkbox"/>
M83528/015L093-1520	804-0114	15 (0.591)	20 (0.787)	0.093 (0.004)	<input type="checkbox"/>
M83528/015L125-1520	804-0115	15 (0.591)	20 (0.787)	0.125 (0.005)	<input type="checkbox"/>
M83528/015L020-178205	804-0116	17.8 (0.701)	20.5 (0.807)	0.020 (0.001)	<input type="checkbox"/>
M83528/015L032-178205	804-0117	17.8 (0.701)	20.5 (0.807)	0.032 (0.001)	<input type="checkbox"/>
M83528/015L062-178205	804-0118	17.8 (0.701)	20.5 (0.807)	0.062 (0.002)	<input type="checkbox"/>
M83528/015L093-178205	804-0119	17.8 (0.701)	20.5 (0.807)	0.093 (0.004)	<input type="checkbox"/>
M83528/015L125-178205	804-0120	17.8 (0.701)	20.5 (0.807)	0.125 (0.005)	<input type="checkbox"/>

[\[page 1 of 3\]](#) [\[page 2 of 3\]](#) [\[page 3 of 3\]](#)

**GO TO STANDARD SHEET MATERIAL**

- [806A Silver Copper Silicone, 65 Duro](#)
- [805B Silver Aluminum Silicone](#)
- [816C Silver Copper Fluorosilicone](#)
- [815D Silver Aluminum Fluorosilicone](#)
- [808E Pure Silver Silicone, 65 Duro](#)
- [818F Pure Silver Fluorosilicone](#)
- [808H Pure Silver Silicone, 80 Duro](#)
- [806K Silver Copper Silicone, 85 Duro](#)
- [804L Silver Nickel Silicone](#)**
- [803M Silver Glass Silicone](#)
- [801 Carbon Silicone](#)
- [802 Nickel Graphite Silicone](#)
- [812 Nickel Graphite Fluorosilicone](#)



**Material 804L – Standard Sheets**

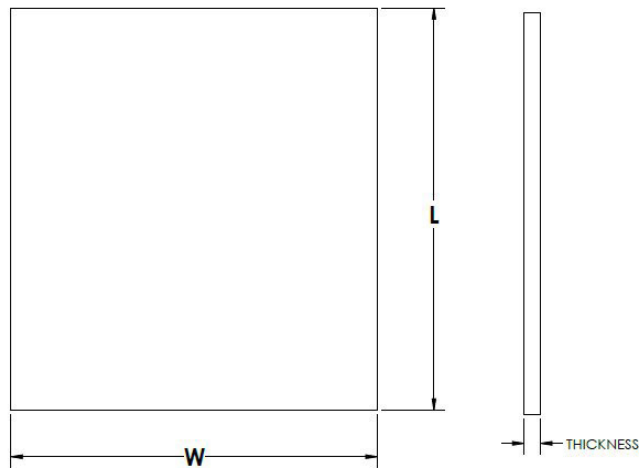
[Material 804L Data Sheet](#)

MIL SPEC No.	NJB Part No.	Dimension A Width (mm)	Dimension B Length (mm)	Dimension C Thickness (mm)	RFQ or Information
M83528/015L027-1010	804-0121	10 (0.394)	10 (0.394)	0.020 (0.001)	
M83528/015L030-1010	804-0122	10 (0.394)	10 (0.394)	0.032 (0.001)	
M83528/015L027-1010	804-0123	10 (0.394)	10 (0.394)	0.062 (0.002)	
M83528/015L027-1010	804-0124	10 (0.394)	10 (0.394)	0.093 (0.004)	
M83528/015L027-1010	804-0125	10 (0.394)	10 (0.394)	0.125 (0.005)	
M83528/015L027-1212	804-0126	12 (0.472)	12 (0.472)	0.020 (0.001)	
M83528/015L030-1212	804-0127	12 (0.472)	12 (0.472)	0.032 (0.001)	
M83528/015L027-1212	804-0128	12 (0.472)	12 (0.472)	0.062 (0.002)	
M83528/015L027-1212	804-0129	12 (0.472)	12 (0.472)	0.093 (0.004)	
M83528/015L027-1212	804-0130	12 (0.472)	12 (0.472)	0.125 (0.005)	
M83528/015L027-1520	804-0131	15 (0.591)	20 (0.787)	0.020 (0.001)	
M83528/015L030-1520	804-0132	15 (0.591)	20 (0.787)	0.032 (0.001)	
M83528/015L027-1520	804-0133	15 (0.591)	20 (0.787)	0.062 (0.002)	
M83528/015L027-1520	804-0134	15 (0.591)	20 (0.787)	0.093 (0.004)	
M83528/015L027-1520	804-0135	15 (0.591)	20 (0.787)	0.125 (0.005)	
M83528/015L027-178205	804-0136	17.8 (0.701)	20.5 (0.807)	0.020 (0.001)	
M83528/015L030-178205	804-0137	17.8 (0.701)	20.5 (0.807)	0.032 (0.001)	
M83528/015L027-178205	804-0138	17.8 (0.701)	20.5 (0.807)	0.062 (0.002)	
M83528/015L027-178205	804-0139	17.8 (0.701)	20.5 (0.807)	0.093 (0.004)	
M83528/015L027-178205	804-0140	17.8 (0.701)	20.5 (0.807)	0.125 (0.005)	

[\[page 1 of 3\]](#) [\[page 2 of 3\]](#) [\[page 3 of 3\]](#)

**GO TO STANDARD SHEET MATERIAL**

- [806A Silver Copper Silicone, 65 Duro](#)
- [805B Silver Aluminum Silicone](#)
- [816C Silver Copper Fluorosilicone](#)
- [815D Silver Aluminum Fluorosilicone](#)
- [808E Pure Silver Silicone, 65 Duro](#)
- [818F Pure Silver Fluorosilicone](#)
- [808H Pure Silver Silicone, 80 Duro](#)
- [806K Silver Copper Silicone, 85 Duro](#)
- [804L Silver Nickel Silicone](#)**
- [803M Silver Glass Silicone](#)
- [801 Carbon Silicone](#)
- [802 Nickel Graphite Silicone](#)
- [812 Nickel Graphite Fluorosilicone](#)



**Material 804L – Standard Sheets**

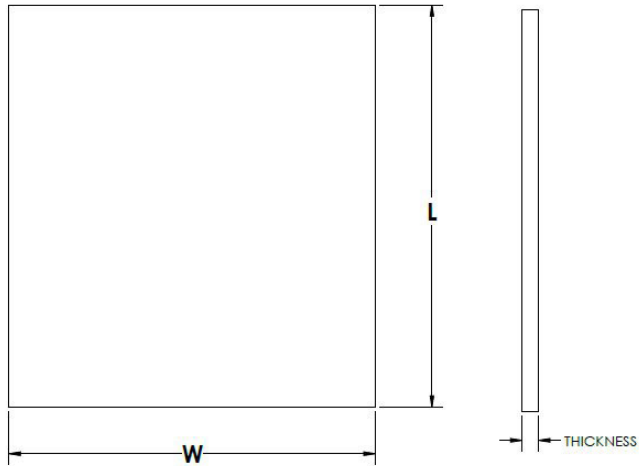
[Material 804L Data Sheet](#)

MIL SPEC No.	NJB Part No.	Dimension A Width (mm)	Dimension B Length (mm)	Dimension C Thickness (mm)	RFQ or Information
M83528/015L020-1020	804-0141	10 (0.394)	10 (0.394)	0.020 (0.001)	<a href="#">✉</a>
M83528/015L027-1020	804-0142	10 (0.394)	10 (0.394)	0.032 (0.001)	<a href="#">✉</a>
M83528/015L030-1020	804-0143	10 (0.394)	10 (0.394)	0.062 (0.002)	<a href="#">✉</a>
M83528/015L032-1020	804-0144	10 (0.394)	10 (0.394)	0.093 (0.004)	<a href="#">✉</a>
M83528/015L040-1020	804-0145	10 (0.394)	10 (0.394)	0.125 (0.005)	<a href="#">✉</a>
M83528/015L047-1020	804-0146	12 (0.472)	12 (0.472)	0.020 (0.001)	<a href="#">✉</a>
M83528/015L060-1020	804-0147	12 (0.472)	12 (0.472)	0.032 (0.001)	<a href="#">✉</a>
M83528/015L062-1020	804-0148	12 (0.472)	12 (0.472)	0.062 (0.002)	<a href="#">✉</a>
M83528/015L093-1020	804-0149	12 (0.472)	12 (0.472)	0.093 (0.004)	<a href="#">✉</a>
M83528/015L125-1020	804-0150	12 (0.472)	12 (0.472)	0.125 (0.005)	<a href="#">✉</a>
M83528/015L020-1218	804-0151	15 (0.591)	20 (0.787)	0.020 (0.001)	<a href="#">✉</a>
M83528/015L027-1218	804-0152	15 (0.591)	20 (0.787)	0.032 (0.001)	<a href="#">✉</a>
M83528/015L030-1218	804-0153	15 (0.591)	20 (0.787)	0.062 (0.002)	<a href="#">✉</a>
M83528/015L032-1218	804-0154	15 (0.591)	20 (0.787)	0.093 (0.004)	<a href="#">✉</a>
M83528/015L040-1218	804-0155	15 (0.591)	20 (0.787)	0.125 (0.005)	<a href="#">✉</a>
M83528/015L047-1218	804-0156	17.8 (0.701)	20.5 (0.807)	0.020 (0.001)	<a href="#">✉</a>
M83528/015L060-1218	804-0157	17.8 (0.701)	20.5 (0.807)	0.032 (0.001)	<a href="#">✉</a>
M83528/015L062-1218	804-0158	17.8 (0.701)	20.5 (0.807)	0.062 (0.002)	<a href="#">✉</a>
M83528/015L093-1218	804-0159	17.8 (0.701)	20.5 (0.807)	0.093 (0.004)	<a href="#">✉</a>
M83528/015L125-1218	804-0160	17.8 (0.701)	20.5 (0.807)	0.125 (0.005)	<a href="#">✉</a>

[\[page 1 of 3\]](#) | [\[page 2 of 3\]](#) | [\[page 3 of 3\]](#)

**GO TO STANDARD SHEET MATERIAL**

- [806A Silver Copper Silicone, 65 Duro](#)
- [805B Silver Aluminum Silicone](#)
- [816C Silver Copper Fluorosilicone](#)
- [815D Silver Aluminum Fluorosilicone](#)
- [808E Pure Silver Silicone, 65 Duro](#)
- [818F Pure Silver Fluorosilicone](#)
- [808H Pure Silver Silicone, 80 Duro](#)
- [806K Silver Copper Silicone, 85 Duro](#)
- [804L Silver Nickel Silicone](#)
- 803M Silver Glass Silicone**
- [801 Carbon Silicone](#)
- [802 Nickel Graphite Silicone](#)
- [812 Nickel Graphite Fluorosilicone](#)



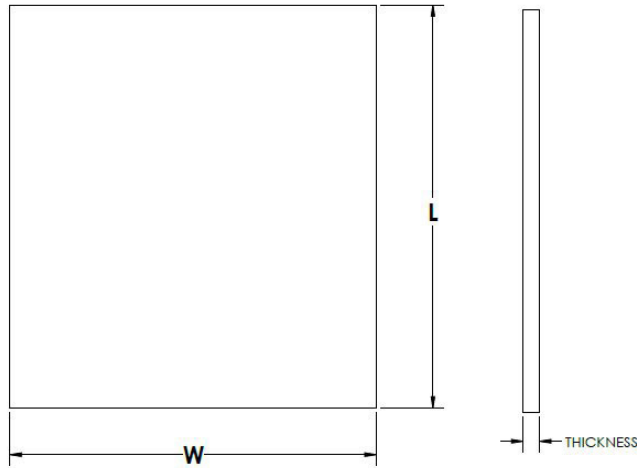
**Material 803M – Standard Sheets**

[Material 803M Data Sheet](#)

MIL SPEC No.	NJB Part No.	Dimension A Width (mm)	Dimension B Length (mm)	Dimension C Thickness (mm)	RFQ or Information
M83528/015M020-1010	803-0101	10 (0.394)	10 (0.394)	0.020 (0.001)	
M83528/015M032-1010	803-0102	10 (0.394)	10 (0.394)	0.032 (0.001)	
M83528/015M062-1010	803-0103	10 (0.394)	10 (0.394)	0.062 (0.002)	
M83528/015M093-1010	803-0104	10 (0.394)	10 (0.394)	0.093 (0.004)	
M83528/015M125-1010	803-0105	10 (0.394)	10 (0.394)	0.125 (0.005)	
M83528/015M020-1212	803-0106	12 (0.472)	12 (0.472)	0.020 (0.001)	
M83528/015M032-1212	803-0107	12 (0.472)	12 (0.472)	0.032 (0.001)	
M83528/015M062-1212	803-0108	12 (0.472)	12 (0.472)	0.062 (0.002)	
M83528/015M093-1212	803-0109	12 (0.472)	12 (0.472)	0.093 (0.004)	
M83528/015M125-1212	803-0110	12 (0.472)	12 (0.472)	0.125 (0.005)	
M83528/015M020-1520	803-0111	15 (0.591)	20 (0.787)	0.020 (0.001)	
M83528/015M032-1520	803-0112	15 (0.591)	20 (0.787)	0.032 (0.001)	
M83528/015M062-1520	803-0113	15 (0.591)	20 (0.787)	0.062 (0.002)	
M83528/015M093-1520	803-0114	15 (0.591)	20 (0.787)	0.093 (0.004)	
M83528/015M125-1520	803-0115	15 (0.591)	20 (0.787)	0.125 (0.005)	
M83528/015M020-178205	803-0116	17.8 (0.701)	20.5 (0.807)	0.020 (0.001)	
M83528/015M032-178205	803-0117	17.8 (0.701)	20.5 (0.807)	0.032 (0.001)	
M83528/015M062-178205	803-0118	17.8 (0.701)	20.5 (0.807)	0.062 (0.002)	
M83528/015M093-178205	803-0119	17.8 (0.701)	20.5 (0.807)	0.093 (0.004)	
M83528/015M125-178205	803-0120	17.8 (0.701)	20.5 (0.807)	0.125 (0.005)	

**GO TO STANDARD SHEET MATERIAL**

- [806A Silver Copper Silicone, 65 Duro](#)
- [805B Silver Aluminum Silicone](#)
- [816C Silver Copper Fluorosilicone](#)
- [815D Silver Aluminum Fluorosilicone](#)
- [808E Pure Silver Silicone, 65 Duro](#)
- [818F Pure Silver Fluorosilicone](#)
- [808H Pure Silver Silicone, 80 Duro](#)
- [806K Silver Copper Silicone, 85 Duro](#)
- [804L Silver Nickel Silicone](#)
- [803M Silver Glass Silicone](#)**
- [801 Carbon Silicone](#)
- [802 Nickel Graphite Silicone](#)
- [812 Nickel Graphite Fluorosilicone](#)



**Material 803M – Standard Sheets**



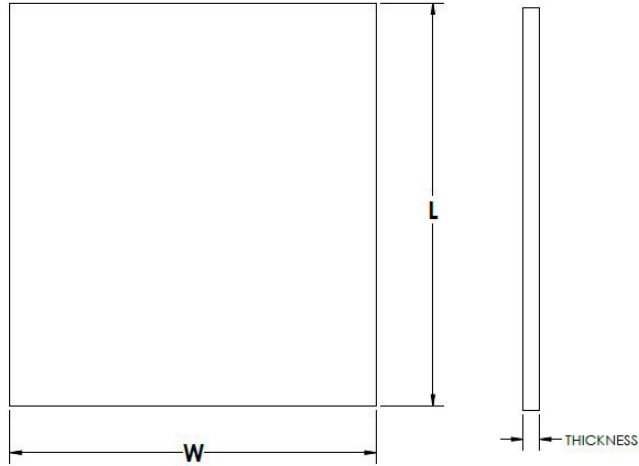
**Material 803M Data Sheet**

MIL SPEC No.	NJB Part No.	Dimension A Width (mm)	Dimension B Length (mm)	Dimension C Thickness (mm)	RFQ or Information
M83528/015M027-1010	803-0121	10 (0.394)	10 (0.394)	0.020 (0.001)	✉
M83528/015M030-1010	803-0122	10 (0.394)	10 (0.394)	0.032 (0.001)	✉
M83528/015M027-1010	803-0123	10 (0.394)	10 (0.394)	0.062 (0.002)	✉
M83528/015M027-1010	803-0124	10 (0.394)	10 (0.394)	0.093 (0.004)	✉
M83528/015M027-1010	803-0125	10 (0.394)	10 (0.394)	0.125 (0.005)	✉
M83528/015M027-1212	803-0126	12 (0.472)	12 (0.472)	0.020 (0.001)	✉
M83528/015M030-1212	803-0127	12 (0.472)	12 (0.472)	0.032 (0.001)	✉
M83528/015M027-1212	803-0128	12 (0.472)	12 (0.472)	0.062 (0.002)	✉
M83528/015M027-1212	803-0129	12 (0.472)	12 (0.472)	0.093 (0.004)	✉
M83528/015M027-1212	803-0130	12 (0.472)	12 (0.472)	0.125 (0.005)	✉
M83528/015M027-1520	803-0131	15 (0.591)	20 (0.787)	0.020 (0.001)	✉
M83528/015M030-1520	803-0132	15 (0.591)	20 (0.787)	0.032 (0.001)	✉
M83528/015M027-1520	803-0133	15 (0.591)	20 (0.787)	0.062 (0.002)	✉
M83528/015M027-1520	803-0134	15 (0.591)	20 (0.787)	0.093 (0.004)	✉
M83528/015M027-1520	803-0135	15 (0.591)	20 (0.787)	0.125 (0.005)	✉
M83528/015M027-178205	803-0136	17.8 (0.701)	20.5 (0.807)	0.020 (0.001)	✉
M83528/015M030-178205	803-0137	17.8 (0.701)	20.5 (0.807)	0.032 (0.001)	✉
M83528/015M027-178205	803-0138	17.8 (0.701)	20.5 (0.807)	0.062 (0.002)	✉
M83528/015M027-178205	803-0139	17.8 (0.701)	20.5 (0.807)	0.093 (0.004)	✉
M83528/015M027-178205	803-0140	17.8 (0.701)	20.5 (0.807)	0.125 (0.005)	✉



**GO TO STANDARD SHEET MATERIAL**

- [806A Silver Copper Silicone, 65 Duro](#)
- [805B Silver Aluminum Silicone](#)
- [816C Silver Copper Fluorosilicone](#)
- [815D Silver Aluminum Fluorosilicone](#)
- [808E Pure Silver Silicone, 65 Duro](#)
- [818F Pure Silver Fluorosilicone](#)
- [808H Pure Silver Silicone, 80 Duro](#)
- [806K Silver Copper Silicone, 85 Duro](#)
- [804L Silver Nickel Silicone](#)
- [803M Silver Glass Silicone](#)**
- [801 Carbon Silicone](#)
- [802 Nickel Graphite Silicone](#)
- [812 Nickel Graphite Fluorosilicone](#)



**Material 803M – Standard Sheets**

[Material 803M Data Sheet](#)

MIL SPEC No.	NJB Part No.	Dimension A Width (mm)	Dimension B Length (mm)	Dimension C Thickness (mm)	RFQ or Information
M83528/015M020-1020	803-0141	10 (0.394)	10 (0.394)	0.020 (0.001)	<a href="#">✉</a>
M83528/015M027-1020	803-0142	10 (0.394)	10 (0.394)	0.032 (0.001)	<a href="#">✉</a>
M83528/015M030-1020	803-0143	10 (0.394)	10 (0.394)	0.062 (0.002)	<a href="#">✉</a>
M83528/015M032-1020	803-0144	10 (0.394)	10 (0.394)	0.093 (0.004)	<a href="#">✉</a>
M83528/015M040-1020	803-0145	10 (0.394)	10 (0.394)	0.125 (0.005)	<a href="#">✉</a>
M83528/015M047-1020	803-0146	12 (0.472)	12 (0.472)	0.020 (0.001)	<a href="#">✉</a>
M83528/015M060-1020	803-0147	12 (0.472)	12 (0.472)	0.032 (0.001)	<a href="#">✉</a>
M83528/015M062-1020	803-0148	12 (0.472)	12 (0.472)	0.062 (0.002)	<a href="#">✉</a>
M83528/015M093-1020	803-0149	12 (0.472)	12 (0.472)	0.093 (0.004)	<a href="#">✉</a>
M83528/015M125-1020	803-0150	12 (0.472)	12 (0.472)	0.125 (0.005)	<a href="#">✉</a>
M83528/015M020-1218	803-0151	15 (0.591)	20 (0.787)	0.020 (0.001)	<a href="#">✉</a>
M83528/015M027-1218	803-0152	15 (0.591)	20 (0.787)	0.032 (0.001)	<a href="#">✉</a>
M83528/015M030-1218	803-0153	15 (0.591)	20 (0.787)	0.062 (0.002)	<a href="#">✉</a>
M83528/015M032-1218	803-0154	15 (0.591)	20 (0.787)	0.093 (0.004)	<a href="#">✉</a>
M83528/015M040-1218	803-0155	15 (0.591)	20 (0.787)	0.125 (0.005)	<a href="#">✉</a>
M83528/015M047-1218	803-0156	17.8 (0.701)	20.5 (0.807)	0.020 (0.001)	<a href="#">✉</a>
M83528/015M060-1218	803-0157	17.8 (0.701)	20.5 (0.807)	0.032 (0.001)	<a href="#">✉</a>
M83528/015M062-1218	803-0158	17.8 (0.701)	20.5 (0.807)	0.062 (0.002)	<a href="#">✉</a>
M83528/015M093-1218	803-0159	17.8 (0.701)	20.5 (0.807)	0.093 (0.004)	<a href="#">✉</a>
M83528/015M125-1218	803-0160	17.8 (0.701)	20.5 (0.807)	0.125 (0.005)	<a href="#">✉</a>

### GO TO STANDARD SHEET MATERIAL

- [806A Silver Copper Silicone, 65 Duro](#)
- [805B Silver Aluminum Silicone](#)
- [816C Silver Copper Fluorosilicone](#)
- [815D Silver Aluminum Fluorosilicone](#)
- [808E Pure Silver Silicone, 65 Duro](#)
- [818F Pure Silver Fluorosilicone](#)
- [808H Pure Silver Silicone, 80 Duro](#)
- [806K Silver Copper Silicone, 85 Duro](#)
- [804L Silver Nickel Silicone](#)
- [803M Silver Glass Silicone](#)
- 801 Carbon Silicone**
- [802 Nickel Graphite Silicone](#)
- [812 Nickel Graphite Fluorosilicone](#)



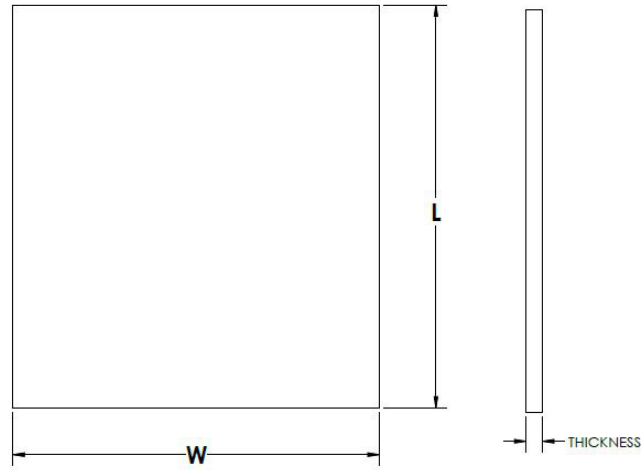
### Material 801 – Standard Sheets

[Material 801 Data Sheet](#)

MIL SPEC No.	NJB Part No.	Dimension A Width (mm)	Dimension B Length (mm)	Dimension C Thickness (mm)	RFQ or Information
N/A	801-0101	10 (0.394)	10 (0.394)	0.020 (0.001)	<input type="checkbox"/>
N/A	801-0102	10 (0.394)	10 (0.394)	0.032 (0.001)	<input type="checkbox"/>
N/A	801-0103	10 (0.394)	10 (0.394)	0.062 (0.002)	<input type="checkbox"/>
N/A	801-0104	10 (0.394)	10 (0.394)	0.093 (0.004)	<input type="checkbox"/>
N/A	801-0105	10 (0.394)	10 (0.394)	0.125 (0.005)	<input type="checkbox"/>
N/A	801-0106	12 (0.472)	12 (0.472)	0.020 (0.001)	<input type="checkbox"/>
N/A	801-0107	12 (0.472)	12 (0.472)	0.032 (0.001)	<input type="checkbox"/>
N/A	801-0108	12 (0.472)	12 (0.472)	0.062 (0.002)	<input type="checkbox"/>
N/A	801-0109	12 (0.472)	12 (0.472)	0.093 (0.004)	<input type="checkbox"/>
N/A	801-0110	12 (0.472)	12 (0.472)	0.125 (0.005)	<input type="checkbox"/>
N/A	801-0111	15 (0.591)	20 (0.787)	0.020 (0.001)	<input type="checkbox"/>
N/A	801-0112	15 (0.591)	20 (0.787)	0.032 (0.001)	<input type="checkbox"/>
N/A	801-0113	15 (0.591)	20 (0.787)	0.062 (0.002)	<input type="checkbox"/>
N/A	801-0114	15 (0.591)	20 (0.787)	0.093 (0.004)	<input type="checkbox"/>
N/A	801-0115	15 (0.591)	20 (0.787)	0.125 (0.005)	<input type="checkbox"/>
N/A	801-0116	17.8 (0.701)	20.5 (0.807)	0.020 (0.001)	<input type="checkbox"/>
N/A	801-0117	17.8 (0.701)	20.5 (0.807)	0.032 (0.001)	<input type="checkbox"/>
N/A	801-0118	17.8 (0.701)	20.5 (0.807)	0.062 (0.002)	<input type="checkbox"/>
N/A	801-0119	17.8 (0.701)	20.5 (0.807)	0.093 (0.004)	<input type="checkbox"/>
N/A	801-0120	17.8 (0.701)	20.5 (0.807)	0.125 (0.005)	<input type="checkbox"/>

**GO TO STANDARD SHEET MATERIAL**

- [806A Silver Copper Silicone, 65 Duro](#)
- [805B Silver Aluminum Silicone](#)
- [816C Silver Copper Fluorosilicone](#)
- [815D Silver Aluminum Fluorosilicone](#)
- [808E Pure Silver Silicone, 65 Duro](#)
- [818F Pure Silver Fluorosilicone](#)
- [808H Pure Silver Silicone, 80 Duro](#)
- [806K Silver Copper Silicone, 85 Duro](#)
- [804L Silver Nickel Silicone](#)
- [803M Silver Glass Silicone](#)
- 801 Carbon Silicone**
- [802 Nickel Graphite Silicone](#)
- [812 Nickel Graphite Fluorosilicone](#)



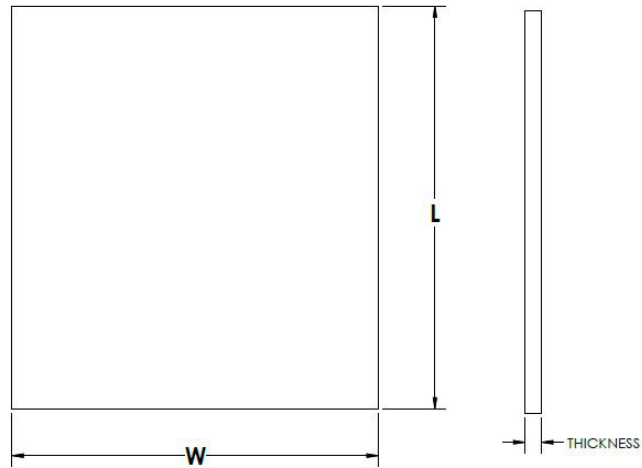
**Material 801 – Standard Sheets**

[Material 801 Data Sheet](#)

MIL SPEC No.	NJB Part No.	Dimension A Width (mm)	Dimension B Length (mm)	Dimension C Thickness (mm)	RFQ or Information
N/A	801-0121	10 (0.394)	10 (0.394)	0.020 (0.001)	
N/A	801-0122	10 (0.394)	10 (0.394)	0.032 (0.001)	
N/A	801-0123	10 (0.394)	10 (0.394)	0.062 (0.002)	
N/A	801-0124	10 (0.394)	10 (0.394)	0.093 (0.004)	
N/A	801-0125	10 (0.394)	10 (0.394)	0.125 (0.005)	
N/A	801-0126	12 (0.472)	12 (0.472)	0.020 (0.001)	
N/A	801-0127	12 (0.472)	12 (0.472)	0.032 (0.001)	
N/A	801-0128	12 (0.472)	12 (0.472)	0.062 (0.002)	
N/A	801-0129	12 (0.472)	12 (0.472)	0.093 (0.004)	
N/A	801-0130	12 (0.472)	12 (0.472)	0.125 (0.005)	
N/A	801-0131	15 (0.591)	20 (0.787)	0.020 (0.001)	
N/A	801-0132	15 (0.591)	20 (0.787)	0.032 (0.001)	
N/A	801-0133	15 (0.591)	20 (0.787)	0.062 (0.002)	
N/A	801-0134	15 (0.591)	20 (0.787)	0.093 (0.004)	
N/A	801-0135	15 (0.591)	20 (0.787)	0.125 (0.005)	
N/A	801-0136	17.8 (0.701)	20.5 (0.807)	0.020 (0.001)	
N/A	801-0137	17.8 (0.701)	20.5 (0.807)	0.032 (0.001)	
N/A	801-0138	17.8 (0.701)	20.5 (0.807)	0.062 (0.002)	
N/A	801-0139	17.8 (0.701)	20.5 (0.807)	0.093 (0.004)	
N/A	801-0140	17.8 (0.701)	20.5 (0.807)	0.125 (0.005)	

**GO TO STANDARD SHEET MATERIAL**

- [806A Silver Copper Silicone, 65 Duro](#)
- [805B Silver Aluminum Silicone](#)
- [816C Silver Copper Fluorosilicone](#)
- [815D Silver Aluminum Fluorosilicone](#)
- [808E Pure Silver Silicone, 65 Duro](#)
- [818F Pure Silver Fluorosilicone](#)
- [808H Pure Silver Silicone, 80 Duro](#)
- [806K Silver Copper Silicone, 85 Duro](#)
- [804L Silver Nickel Silicone](#)
- [803M Silver Glass Silicone](#)
- 801 Carbon Silicone**
- [802 Nickel Graphite Silicone](#)
- [812 Nickel Graphite Fluorosilicone](#)



**Material 801 – Standard Sheets**

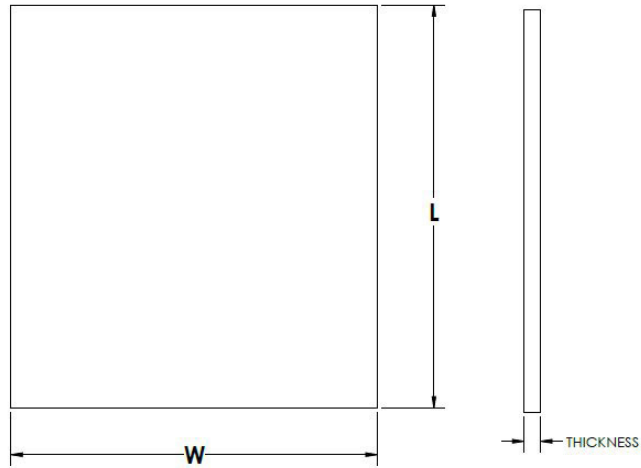
**Material 801 Data Sheet**

MIL SPEC No.	NJB Part No.	Dimension A Width (mm)	Dimension B Length (mm)	Dimension C Thickness (mm)	RFQ or Information
N/A	801-0141	10 (0.394)	10 (0.394)	0.020 (0.001)	<a href="#">✉</a>
N/A	801-0142	10 (0.394)	10 (0.394)	0.032 (0.001)	<a href="#">✉</a>
N/A	801-0143	10 (0.394)	10 (0.394)	0.062 (0.002)	<a href="#">✉</a>
N/A	801-0144	10 (0.394)	10 (0.394)	0.093 (0.004)	<a href="#">✉</a>
N/A	801-0145	10 (0.394)	10 (0.394)	0.125 (0.005)	<a href="#">✉</a>
N/A	801-0146	12 (0.472)	12 (0.472)	0.020 (0.001)	<a href="#">✉</a>
N/A	801-0147	12 (0.472)	12 (0.472)	0.032 (0.001)	<a href="#">✉</a>
N/A	801-0148	12 (0.472)	12 (0.472)	0.062 (0.002)	<a href="#">✉</a>
N/A	801-0149	12 (0.472)	12 (0.472)	0.093 (0.004)	<a href="#">✉</a>
N/A	801-0150	12 (0.472)	12 (0.472)	0.125 (0.005)	<a href="#">✉</a>
N/A	801-0151	15 (0.591)	20 (0.787)	0.020 (0.001)	<a href="#">✉</a>
N/A	801-0152	15 (0.591)	20 (0.787)	0.032 (0.001)	<a href="#">✉</a>
N/A	801-0153	15 (0.591)	20 (0.787)	0.062 (0.002)	<a href="#">✉</a>
N/A	801-0154	15 (0.591)	20 (0.787)	0.093 (0.004)	<a href="#">✉</a>
N/A	801-0155	15 (0.591)	20 (0.787)	0.125 (0.005)	<a href="#">✉</a>
N/A	801-0156	17.8 (0.701)	20.5 (0.807)	0.020 (0.001)	<a href="#">✉</a>
N/A	801-0157	17.8 (0.701)	20.5 (0.807)	0.032 (0.001)	<a href="#">✉</a>
N/A	801-0158	17.8 (0.701)	20.5 (0.807)	0.062 (0.002)	<a href="#">✉</a>
N/A	801-0159	17.8 (0.701)	20.5 (0.807)	0.093 (0.004)	<a href="#">✉</a>
N/A	801-0160	17.8 (0.701)	20.5 (0.807)	0.125 (0.005)	<a href="#">✉</a>


[\[page 1 of 3\]](#) [\[page 2 of 3\]](#) [\[page 3 of 3\]](#)

**GO TO STANDARD SHEET MATERIAL**

- [806A Silver Copper Silicone, 65 Duro](#)
- [805B Silver Aluminum Silicone](#)
- [816C Silver Copper Fluorosilicone](#)
- [815D Silver Aluminum Fluorosilicone](#)
- [808E Pure Silver Silicone, 65 Duro](#)
- [818F Pure Silver Fluorosilicone](#)
- [808H Pure Silver Silicone, 80 Duro](#)
- [806K Silver Copper Silicone, 85 Duro](#)
- [804L Silver Nickel Silicone](#)
- [803M Silver Glass Silicone](#)
- [801 Carbon Silicone](#)
- [802 Nickel Graphite Silicone](#)**
- [812 Nickel Graphite Fluorosilicone](#)



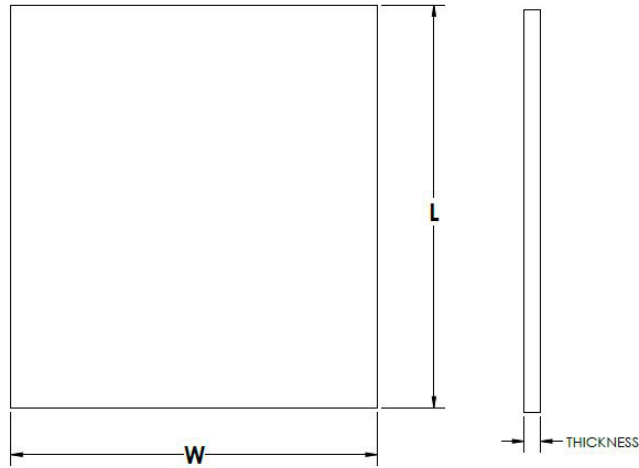
**Material 802 – Standard Sheets**

 [Material 802 Data Sheet](#)

MIL SPEC No.	NJB Part No.	Dimension A Width (mm)	Dimension B Length (mm)	Dimension C Thickness (mm)	RFQ or Information
N/A	802-0101	10 (0.394)	10 (0.394)	0.020 (0.001)	
N/A	802-0102	10 (0.394)	10 (0.394)	0.032 (0.001)	
N/A	802-0103	10 (0.394)	10 (0.394)	0.062 (0.002)	
N/A	802-0104	10 (0.394)	10 (0.394)	0.093 (0.004)	
N/A	802-0105	10 (0.394)	10 (0.394)	0.125 (0.005)	
N/A	802-0106	12 (0.472)	12 (0.472)	0.020 (0.001)	
N/A	802-0107	12 (0.472)	12 (0.472)	0.032 (0.001)	
N/A	802-0108	12 (0.472)	12 (0.472)	0.062 (0.002)	
N/A	802-0109	12 (0.472)	12 (0.472)	0.093 (0.004)	
N/A	802-0110	12 (0.472)	12 (0.472)	0.125 (0.005)	
N/A	802-0111	15 (0.591)	20 (0.787)	0.020 (0.001)	
N/A	802-0112	15 (0.591)	20 (0.787)	0.032 (0.001)	
N/A	802-0113	15 (0.591)	20 (0.787)	0.062 (0.002)	
N/A	802-0114	15 (0.591)	20 (0.787)	0.093 (0.004)	
N/A	802-0115	15 (0.591)	20 (0.787)	0.125 (0.005)	
N/A	802-0116	17.8 (0.701)	20.5 (0.807)	0.020 (0.001)	
N/A	802-0117	17.8 (0.701)	20.5 (0.807)	0.032 (0.001)	
N/A	802-0118	17.8 (0.701)	20.5 (0.807)	0.062 (0.002)	
N/A	802-0119	17.8 (0.701)	20.5 (0.807)	0.093 (0.004)	
N/A	802-0120	17.8 (0.701)	20.5 (0.807)	0.125 (0.005)	

**GO TO STANDARD SHEET MATERIAL**

- [806A Silver Copper Silicone, 65 Duro](#)
- [805B Silver Aluminum Silicone](#)
- [816C Silver Copper Fluorosilicone](#)
- [815D Silver Aluminum Fluorosilicone](#)
- [808E Pure Silver Silicone, 65 Duro](#)
- [818F Pure Silver Fluorosilicone](#)
- [808H Pure Silver Silicone, 80 Duro](#)
- [806K Silver Copper Silicone, 85 Duro](#)
- [804L Silver Nickel Silicone](#)
- [803M Silver Glass Silicone](#)
- [801 Carbon Silicone](#)
- [802 Nickel Graphite Silicone](#)**
- [812 Nickel Graphite Fluorosilicone](#)



**Material 802 – Standard Sheets**

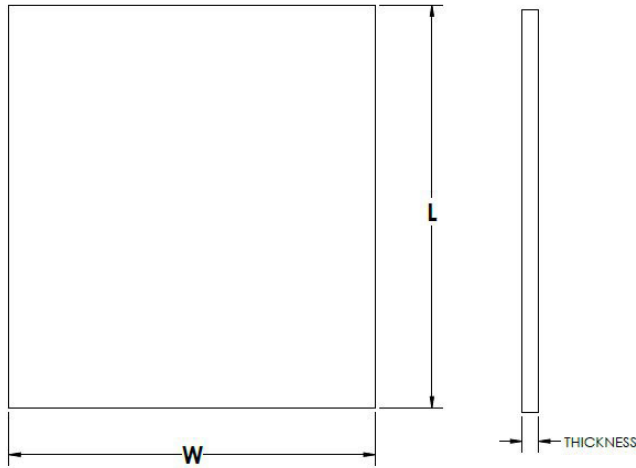
**Material 802 Data Sheet**

MIL SPEC No.	NJB Part No.	Dimension A Width (mm)	Dimension B Length (mm)	Dimension C Thickness (mm)	RFQ or Information
N/A	802-0121	10 (0.394)	10 (0.394)	0.020 (0.001)	<input type="checkbox"/>
N/A	802-0122	10 (0.394)	10 (0.394)	0.032 (0.001)	<input type="checkbox"/>
N/A	802-0123	10 (0.394)	10 (0.394)	0.062 (0.002)	<input type="checkbox"/>
N/A	802-0124	10 (0.394)	10 (0.394)	0.093 (0.004)	<input type="checkbox"/>
N/A	802-0125	10 (0.394)	10 (0.394)	0.125 (0.005)	<input type="checkbox"/>
N/A	802-0126	12 (0.472)	12 (0.472)	0.020 (0.001)	<input type="checkbox"/>
N/A	802-0127	12 (0.472)	12 (0.472)	0.032 (0.001)	<input type="checkbox"/>
N/A	802-0128	12 (0.472)	12 (0.472)	0.062 (0.002)	<input type="checkbox"/>
N/A	802-0129	12 (0.472)	12 (0.472)	0.093 (0.004)	<input type="checkbox"/>
N/A	802-0130	12 (0.472)	12 (0.472)	0.125 (0.005)	<input type="checkbox"/>
N/A	802-0131	15 (0.591)	20 (0.787)	0.020 (0.001)	<input type="checkbox"/>
N/A	802-0132	15 (0.591)	20 (0.787)	0.032 (0.001)	<input type="checkbox"/>
N/A	802-0133	15 (0.591)	20 (0.787)	0.062 (0.002)	<input type="checkbox"/>
N/A	802-0134	15 (0.591)	20 (0.787)	0.093 (0.004)	<input type="checkbox"/>
N/A	802-0135	15 (0.591)	20 (0.787)	0.125 (0.005)	<input type="checkbox"/>
N/A	802-0136	17.8 (0.701)	20.5 (0.807)	0.020 (0.001)	<input type="checkbox"/>
N/A	802-0137	17.8 (0.701)	20.5 (0.807)	0.032 (0.001)	<input type="checkbox"/>
N/A	802-0138	17.8 (0.701)	20.5 (0.807)	0.062 (0.002)	<input type="checkbox"/>
N/A	802-0139	17.8 (0.701)	20.5 (0.807)	0.093 (0.004)	<input type="checkbox"/>
N/A	802-0140	17.8 (0.701)	20.5 (0.807)	0.125 (0.005)	<input type="checkbox"/>

[\[page 1 of 3\]](#) [\[page 2 of 3\]](#) [\[page 3 of 3\]](#)

**GO TO STANDARD SHEET MATERIAL**

- [806A Silver Copper Silicone, 65 Duro](#)
- [805B Silver Aluminum Silicone](#)
- [816C Silver Copper Fluorosilicone](#)
- [815D Silver Aluminum Fluorosilicone](#)
- [808E Pure Silver Silicone, 65 Duro](#)
- [818F Pure Silver Fluorosilicone](#)
- [808H Pure Silver Silicone, 80 Duro](#)
- [806K Silver Copper Silicone, 85 Duro](#)
- [804L Silver Nickel Silicone](#)
- [803M Silver Glass Silicone](#)
- [801 Carbon Silicone](#)
- [802 Nickel Graphite Silicone](#)
- [812 Nickel Graphite Fluorosilicone](#)



**Material 802 – Standard Sheets**

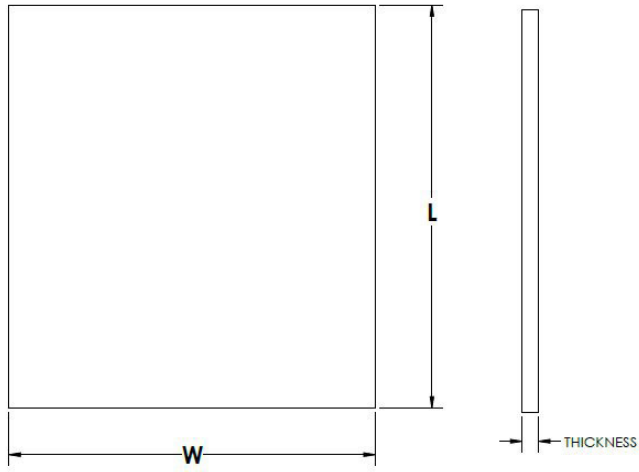
[Material 802 Data Sheet](#)

MIL SPEC No.	NJB Part No.	Dimension A Width (mm)	Dimension B Length (mm)	Dimension C Thickness (mm)	RFQ or Information
N/A	802-0141	10 (0.394)	10 (0.394)	0.020 (0.001)	
N/A	802-0142	10 (0.394)	10 (0.394)	0.032 (0.001)	
N/A	802-0143	10 (0.394)	10 (0.394)	0.062 (0.002)	
N/A	802-0144	10 (0.394)	10 (0.394)	0.093 (0.004)	
N/A	802-0145	10 (0.394)	10 (0.394)	0.125 (0.005)	
N/A	802-0146	12 (0.472)	12 (0.472)	0.020 (0.001)	
N/A	802-0147	12 (0.472)	12 (0.472)	0.032 (0.001)	
N/A	802-0148	12 (0.472)	12 (0.472)	0.062 (0.002)	
N/A	802-0149	12 (0.472)	12 (0.472)	0.093 (0.004)	
N/A	802-0150	12 (0.472)	12 (0.472)	0.125 (0.005)	
N/A	802-0151	15 (0.591)	20 (0.787)	0.020 (0.001)	
N/A	802-0152	15 (0.591)	20 (0.787)	0.032 (0.001)	
N/A	802-0153	15 (0.591)	20 (0.787)	0.062 (0.002)	
N/A	802-0154	15 (0.591)	20 (0.787)	0.093 (0.004)	
N/A	802-0155	15 (0.591)	20 (0.787)	0.125 (0.005)	
N/A	802-0156	17.8 (0.701)	20.5 (0.807)	0.020 (0.001)	
N/A	802-0157	17.8 (0.701)	20.5 (0.807)	0.032 (0.001)	
N/A	802-0158	17.8 (0.701)	20.5 (0.807)	0.062 (0.002)	
N/A	802-0159	17.8 (0.701)	20.5 (0.807)	0.093 (0.004)	
N/A	802-0160	17.8 (0.701)	20.5 (0.807)	0.125 (0.005)	

[\[page 1 of 3\]](#) [\[page 2 of 3\]](#) [\[page 3 of 3\]](#)

**GO TO STANDARD SHEET MATERIAL**

- [806A Silver Copper Silicone, 65 Duro](#)
- [805B Silver Aluminum Silicone](#)
- [816C Silver Copper Fluorosilicone](#)
- [815D Silver Aluminum Fluorosilicone](#)
- [808E Pure Silver Silicone, 65 Duro](#)
- [818F Pure Silver Fluorosilicone](#)
- [808H Pure Silver Silicone, 80 Duro](#)
- [806K Silver Copper Silicone, 85 Duro](#)
- [804L Silver Nickel Silicone](#)
- [803M Silver Glass Silicone](#)
- [801 Carbon Silicone](#)
- [802 Nickel Graphite Silicone](#)
- [812 Nickel Graphite Fluorosilicone](#)



**Material 812 – Standard Sheets**

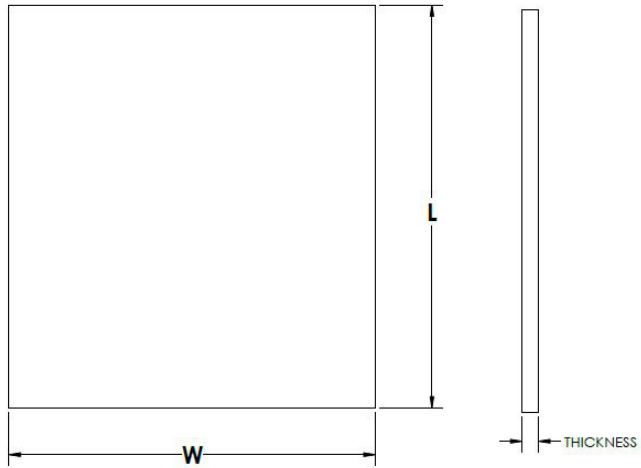
**Material 812 Data Sheet**

MIL SPEC No.	NJB Part No.	Dimension A Width (mm)	Dimension B Length (mm)	Dimension C Thickness (mm)	RFQ or Information
N/A	812-0101	10 (0.394)	10 (0.394)	0.020 (0.001)	
N/A	812-0102	10 (0.394)	10 (0.394)	0.032 (0.001)	
N/A	812-0103	10 (0.394)	10 (0.394)	0.062 (0.002)	
N/A	812-0104	10 (0.394)	10 (0.394)	0.093 (0.004)	
N/A	812-0105	10 (0.394)	10 (0.394)	0.125 (0.005)	
N/A	812-0106	12 (0.472)	12 (0.472)	0.020 (0.001)	
N/A	812-0107	12 (0.472)	12 (0.472)	0.032 (0.001)	
N/A	812-0108	12 (0.472)	12 (0.472)	0.062 (0.002)	
N/A	812-0109	12 (0.472)	12 (0.472)	0.093 (0.004)	
N/A	812-0110	12 (0.472)	12 (0.472)	0.125 (0.005)	
N/A	812-0111	15 (0.591)	20 (0.787)	0.020 (0.001)	
N/A	812-0112	15 (0.591)	20 (0.787)	0.032 (0.001)	
N/A	812-0113	15 (0.591)	20 (0.787)	0.062 (0.002)	
N/A	812-0114	15 (0.591)	20 (0.787)	0.093 (0.004)	
N/A	812-0115	15 (0.591)	20 (0.787)	0.125 (0.005)	
N/A	812-0116	17.8 (0.701)	20.5 (0.807)	0.020 (0.001)	
N/A	812-0117	17.8 (0.701)	20.5 (0.807)	0.032 (0.001)	
N/A	812-0118	17.8 (0.701)	20.5 (0.807)	0.062 (0.002)	
N/A	812-0119	17.8 (0.701)	20.5 (0.807)	0.093 (0.004)	
N/A	812-0120	17.8 (0.701)	20.5 (0.807)	0.125 (0.005)	



**GO TO STANDARD SHEET MATERIAL**

- [806A Silver Copper Silicone, 65 Duro](#)
- [805B Silver Aluminum Silicone](#)
- [816C Silver Copper Fluorosilicone](#)
- [815D Silver Aluminum Fluorosilicone](#)
- [808E Pure Silver Silicone, 65 Duro](#)
- [818F Pure Silver Fluorosilicone](#)
- [808H Pure Silver Silicone, 80 Duro](#)
- [806K Silver Copper Silicone, 85 Duro](#)
- [804L Silver Nickel Silicone](#)
- [803M Silver Glass Silicone](#)
- [801 Carbon Silicone](#)
- [802 Nickel Graphite Silicone](#)
- [812 Nickel Graphite Fluorosilicone](#)



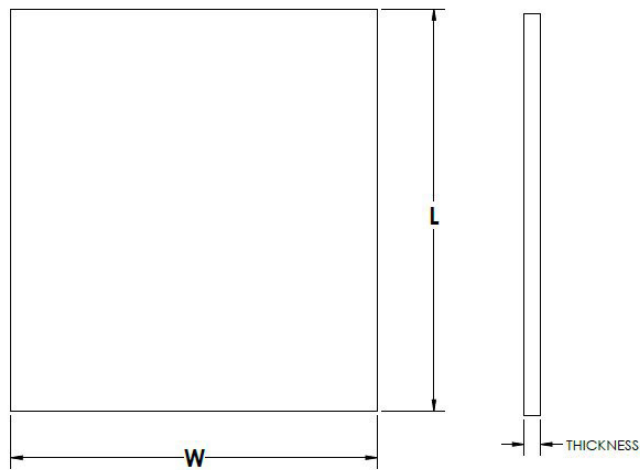
**Material 812 – Standard Sheets**

**Material 812 Data Sheet**

MIL SPEC No.	NJB Part No.	Dimension A Width (mm)	Dimension B Length (mm)	Dimension C Thickness (mm)	RFQ or Information
N/A	812-0121	10 (0.394)	10 (0.394)	0.020 (0.001)	<input type="checkbox"/>
N/A	812-0122	10 (0.394)	10 (0.394)	0.032 (0.001)	<input type="checkbox"/>
N/A	812-0123	10 (0.394)	10 (0.394)	0.062 (0.002)	<input type="checkbox"/>
N/A	812-0124	10 (0.394)	10 (0.394)	0.093 (0.004)	<input type="checkbox"/>
N/A	812-0125	10 (0.394)	10 (0.394)	0.125 (0.005)	<input type="checkbox"/>
N/A	812-0126	12 (0.472)	12 (0.472)	0.020 (0.001)	<input type="checkbox"/>
N/A	812-0127	12 (0.472)	12 (0.472)	0.032 (0.001)	<input type="checkbox"/>
N/A	812-0128	12 (0.472)	12 (0.472)	0.062 (0.002)	<input type="checkbox"/>
N/A	812-0129	12 (0.472)	12 (0.472)	0.093 (0.004)	<input type="checkbox"/>
N/A	812-0130	12 (0.472)	12 (0.472)	0.125 (0.005)	<input type="checkbox"/>
N/A	812-0131	15 (0.591)	20 (0.787)	0.020 (0.001)	<input type="checkbox"/>
N/A	812-0132	15 (0.591)	20 (0.787)	0.032 (0.001)	<input type="checkbox"/>
N/A	812-0133	15 (0.591)	20 (0.787)	0.062 (0.002)	<input type="checkbox"/>
N/A	812-0134	15 (0.591)	20 (0.787)	0.093 (0.004)	<input type="checkbox"/>
N/A	812-0135	15 (0.591)	20 (0.787)	0.125 (0.005)	<input type="checkbox"/>
N/A	812-0136	17.8 (0.701)	20.5 (0.807)	0.020 (0.001)	<input type="checkbox"/>
N/A	812-0137	17.8 (0.701)	20.5 (0.807)	0.032 (0.001)	<input type="checkbox"/>
N/A	812-0138	17.8 (0.701)	20.5 (0.807)	0.062 (0.002)	<input type="checkbox"/>
N/A	812-0139	17.8 (0.701)	20.5 (0.807)	0.093 (0.004)	<input type="checkbox"/>
N/A	812-0140	17.8 (0.701)	20.5 (0.807)	0.125 (0.005)	<input type="checkbox"/>

### GO TO STANDARD SHEET MATERIAL

- [806A Silver Copper Silicone, 65 Duro](#)
- [805B Silver Aluminum Silicone](#)
- [816C Silver Copper Fluorosilicone](#)
- [815D Silver Aluminum Fluorosilicone](#)
- [808E Pure Silver Silicone, 65 Duro](#)
- [818F Pure Silver Fluorosilicone](#)
- [808H Pure Silver Silicone, 80 Duro](#)
- [806K Silver Copper Silicone, 85 Duro](#)
- [804L Silver Nickel Silicone](#)
- [803M Silver Glass Silicone](#)
- [801 Carbon Silicone](#)
- [802 Nickel Graphite Silicone](#)
- [812 Nickel Graphite Fluorosilicone](#)**



### Material 812 – Standard Sheets

### Material 812 Data Sheet

MIL SPEC No.	NJB Part No.	Dimension A Width (mm)	Dimension B Length (mm)	Dimension C Thickness (mm)	RFQ or Information
N/A	812-0141	10 (0.394)	10 (0.394)	0.020 (0.001)	<input type="checkbox"/>
N/A	812-0142	10 (0.394)	10 (0.394)	0.032 (0.001)	<input type="checkbox"/>
N/A	812-0143	10 (0.394)	10 (0.394)	0.062 (0.002)	<input type="checkbox"/>
N/A	812-0144	10 (0.394)	10 (0.394)	0.093 (0.004)	<input type="checkbox"/>
N/A	812-0145	10 (0.394)	10 (0.394)	0.125 (0.005)	<input type="checkbox"/>
N/A	812-0146	12 (0.472)	12 (0.472)	0.020 (0.001)	<input type="checkbox"/>
N/A	812-0147	12 (0.472)	12 (0.472)	0.032 (0.001)	<input type="checkbox"/>
N/A	812-0148	12 (0.472)	12 (0.472)	0.062 (0.002)	<input type="checkbox"/>
N/A	812-0149	12 (0.472)	12 (0.472)	0.093 (0.004)	<input type="checkbox"/>
N/A	812-0150	12 (0.472)	12 (0.472)	0.125 (0.005)	<input type="checkbox"/>
N/A	812-0151	15 (0.591)	20 (0.787)	0.020 (0.001)	<input type="checkbox"/>
N/A	812-0152	15 (0.591)	20 (0.787)	0.032 (0.001)	<input type="checkbox"/>
N/A	812-0153	15 (0.591)	20 (0.787)	0.062 (0.002)	<input type="checkbox"/>
N/A	812-0154	15 (0.591)	20 (0.787)	0.093 (0.004)	<input type="checkbox"/>
N/A	812-0155	15 (0.591)	20 (0.787)	0.125 (0.005)	<input type="checkbox"/>
N/A	812-0156	17.8 (0.701)	20.5 (0.807)	0.020 (0.001)	<input type="checkbox"/>
N/A	812-0157	17.8 (0.701)	20.5 (0.807)	0.032 (0.001)	<input type="checkbox"/>
N/A	812-0158	17.8 (0.701)	20.5 (0.807)	0.062 (0.002)	<input type="checkbox"/>
N/A	812-0159	17.8 (0.701)	20.5 (0.807)	0.093 (0.004)	<input type="checkbox"/>
N/A	812-0160	17.8 (0.701)	20.5 (0.807)	0.125 (0.005)	<input type="checkbox"/>